

SELEST Flat

Visioneering Architectural Suspended Troffer with a Flat Profile

Project:	Catalogue:	Type:
Notes:		

Product Description

Specification-grade suspended LED 2x2 Luminaire featuring a flat and a fully luminous aperture. The Selest Flat is perfect for creating visually engaging indoor environments. Designed for seamless integration, it can be effortlessly continuously row-mounted with other Selest products. Its sleek, flat square lens provides a fully luminous aperture, ensuring even light distribution.

Applications

Commercial, Retail, Architectural, Hospitality, Educational, and Healthcare

Features

- 2x2 configuration
- Standard low voltage dimming (0-10v, 1%)
- Fully luminous aperture delivering even illumination

Featured Options

- Tunable white (2700 - 6500K)
- Continuous Row Mounting (compatible with other Selest 2x2 luminaires)
- Emergency lighting battery pack
- Dim to Dark 0.1 %
- DALI dimming

Other Configurations

- 4x4 Flat
- [2x2 Concave](#)
- [2x2 Convex](#)

Optical System

Flat and seamless single-piece frosted diffuser.
Consistent luminance across lit surface.

Mounting

Adjustable aircraft cable mounting system used at each hanging location.

Construction

Die-formed, cold rolled steel housing assembly. Wiring access plates provided on back of housing.

Finish

5 stage pretreatment, polyester powder coating.

Electrical

Long life LEDs coupled with high efficiency drivers provide quality illumination. Rated to deliver L80 performance > 60,000 hours. Standard low voltage dimming (0-10v) driver.

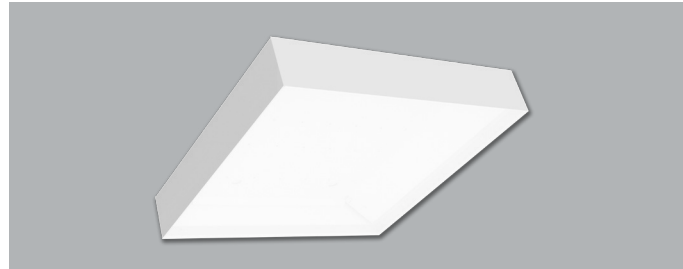
Warranty

5-year limited warranty. For complete warranty, click here:

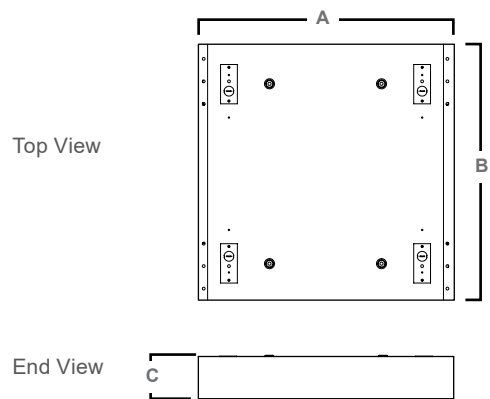


Approvals

- ETL Certified to UL1598 and CSA22.2 no 250.0.
- Suitable for dry and damp locations.
- RoHS Compliant.



Dimensions



Dimensions (inch)			
Size	A	B	C
2x2	22.50	22.50	4.00

Consult the installation guide for exact dimensions.

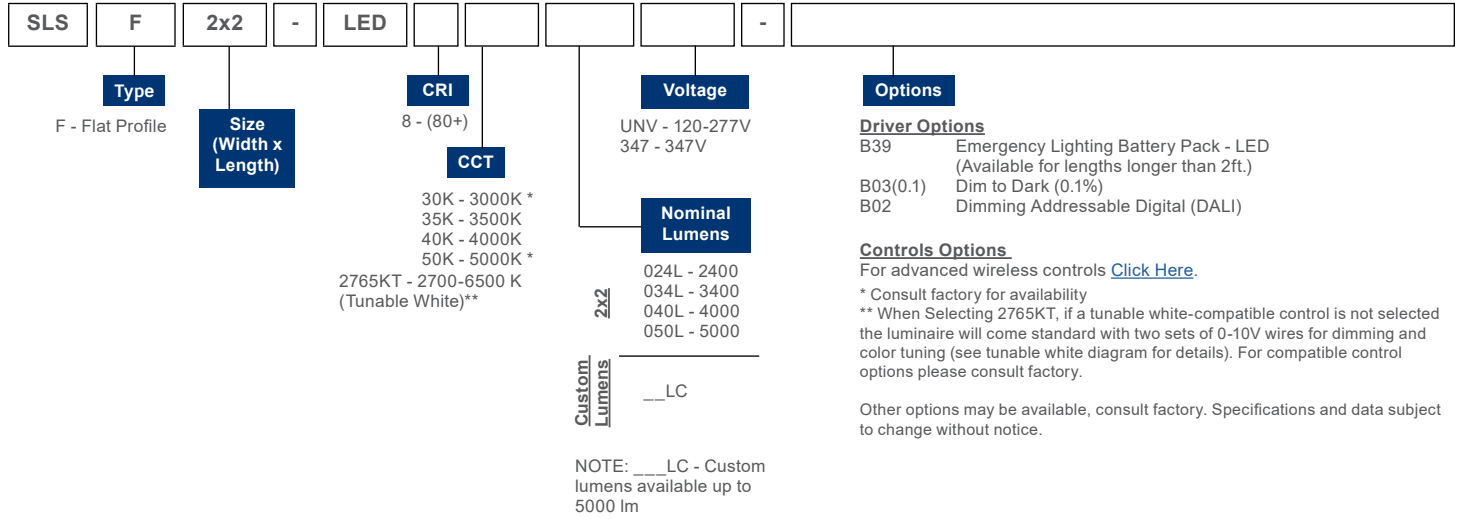
SELEST Flat

Visioneering Architectural Suspended Troffer with a Flat Profile

Project:	Catalogue:	Type:
Notes:		

Order Key

EXAMPLE: SLSF2x2-LED840K040LUNV



Performance Data

LED Performance Data				
Type	Nominal Lumens	Delivered Lumens	Watts	Lumens Per Watt
F	2400	2412	19.2	126.3
	3400	3427	27.7	123.7
	4000	4033	33	122.2
	5000	5011	41.8	119.9

Values based on 840K with standard lens at 25°C

*Custom Lumens

Size	Nominal Lumens Range	Watts
2x2	2400 - 5000	19.2-41.8

*3000Lm Example:
SLSF2x2-LED840K030LCUNV

Performance Scaling Factor

	50K	40K	35K	30K
80CRI	1.000	1.000	0.960	0.946

Lifetime Expectancy

	Calculated Hours	Reported Hours
L70	≥ 238,000	> 60,000
L80	≥ 149,000	> 60,000
L90	≥ 71,000	> 60,000

Power and Installation Kits (Ordered Separately)

Part#	Description
KIT00469	 UNV Stand-Alone / Start of Run Power Kit 2 x 48" Y Air Craft Cable & Canopies with UNV Power Feed

For larger installations with multiple Selests, please 'consult factory'.

SELEST Flat

Visioneering Architectural Suspended Troffer with a Flat Profile

Project:	Catalogue:	Type:
Notes:		

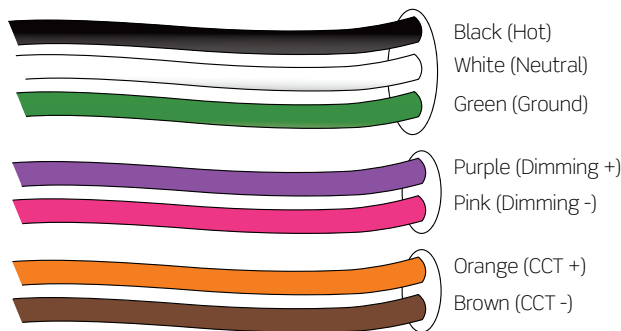
EM Ordering Guide

EM Function	Order Code	Description	Notes
Standard EM	B39	10W EM battery pack	Standard 10W output, 90 minute run time in emergency mode.
High Wattage EM	B39(20W)	20W EM battery pack	Standard 20W output, 90 minute run time in emergency mode.
347V EM	347...B39	8W 347V EM battery pack	Fixture part number indicates 347V input voltage.
347 High Wattage EM	347...B39(20W)	20W 347V EM battery pack	Fixture part number indicates 347V input voltage.
Self Testing EM	B39(SD)	10W Self Test EM battery pack	Self test instructions provided with each fixture. Digital copies available as needed.
Cold Weather	B06...B39	10W Cold Weather EM battery pack suitable to -20°C	Standard EM battery pack 0°C minimum temperature.
120 Minute EM	B39(2HR)	EM battery pack with 120 minute minimum run time	Standard 14W output, 120 minute run time in emergency mode.
Specified EM	B39(xx)	Customer to specify brand, model number and/or feature.	xx Indicates model number of specified by Viscor.

Tunable White

When Selecting 2765KT, if a tunable white-compatible control is not selected the luminaire will come standard with two sets of 0-10V wires for dimming and color tuning. For compatible control options please consult factory.

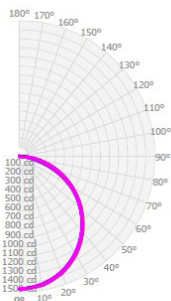
Dim and CCT control wire colors are subject to change without notice. All control wires are marked per the parentheses.



Performance Data

SLSF2X2-LED840K040LUNV

IES File: SLSF2X2-LED840K040LUNV
 Lumens: N/A
 Wattage: 35.5
 Efficacy: 122



Zonal Lumen Summary

Zone	Lumens	%Fixture
0.0° - 30.0°	1142	26.4%
0.0° - 40.0°	1875	43.3%
0.0° - 60.0°	3337	77.0%
0.0° - 90.0°	4308	99.4%
0.0° - 110.0°	4323	99.8%
0.0° - 130.0°	4332	99.9%
0.0° - 150.0°	4334	100.0%
0.0° - 170.0°	4334	100.0%
0.0° - 180.0°	4334	100.0%

Coefficients of Utilization

Values are lumens delivered to the workplane from a single luminaire

pc	80%				70%				50%				30%				10%				0%	
	70%	50%	30%	10%	70%	50%	30%	10%	50%	30%	10%	50%	30%	10%	50%	30%	10%	50%	30%	10%	0%	
0	5153	5153	5153	5153	5031	5031	5031	5031	4801	4801	4801	4591	4591	4591	4399	4399	4399	4308	4308	4308	4308	4308
1	4690	4475	4282	4109	4568	4373	4198	4039	4183	4039	3906	4009	3891	3782	3848	3753	3664	3570	3570	3570	3570	3570
2	4254	3887	3583	3328	4136	3802	3523	3286	3643	3408	3205	3496	3299	3127	3360	3197	3053	2956	2956	2956	2956	2956
3	3872	3405	3043	2755	3761	3334	2998	2728	3200	2912	2676	3076	2831	2625	2960	2753	2576	2479	2479	2479	2479	2479
4	3541	3011	2623	2327	3438	2951	2589	2309	2838	2523	2273	2733	2460	2239	2635	2400	2206	2109	2109	2109	2109	2109
5	3254	2687	2291	1998	3160	2636	2264	1986	2540	2212	1961	2451	2163	1937	2368	2116	1913	1819	1819	1819	1819	1819
6	3003	2417	2023	1741	2917	2374	2002	1731	2292	1961	1714	2216	1921	1696	2145	1883	1679	1587	1587	1587	1587	1587
7	2784	2189	1804	1534	2706	2153	1787	1528	2083	1754	1514	2018	1722	1501	1956	1691	1488	1400	1400	1400	1400	1400
8	2590	1997	1623	1367	2520	1965	1609	1361	1905	1582	1351	1849	1555	1341	1796	1530	1331	1247	1247	1247	1247	1247
9	2419	1832	1471	1228	2356	1804	1460	1224	1753	1437	1216	1704	1415	1208	1658	1394	1200	1120	1120	1120	1120	1120
10	2268	1689	1343	1112	2210	1666	1333	1109	1621	1314	1103	1578	1296	1096	1538	1278	1090	1013	1013	1013	1013	1013

Average Luminance Table (cd/m²)

CP Summary	CP Summary		
	0.00°	45.00°	90.00°
0.00°	4515	4515	4515
45.00°	3687	3478	3691
55.00°	3379	3108	3366
65.00°	2973	2605	2900
75.00°	2377	1907	1976
85.00°	1356	908	465

Effective Floor Cavity Reflectance: 20%

SELEST Flat

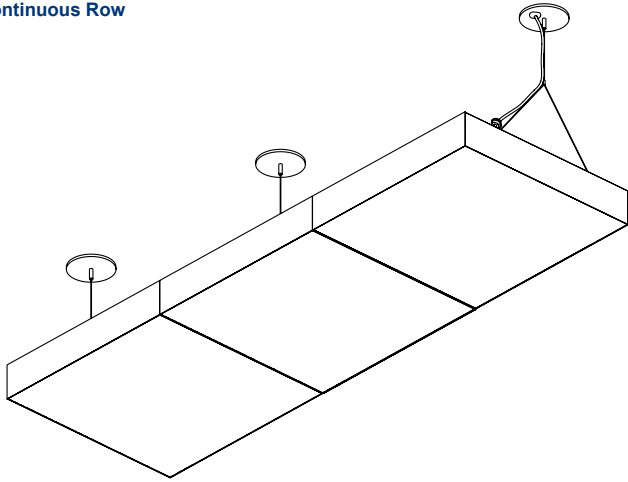
Visioneering Architectural Suspended Troffer with a Flat Profile

Project:	Catalogue:	Type:
Notes:		

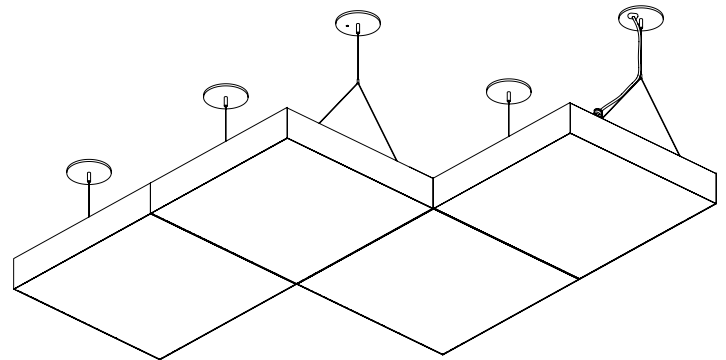
Layout Options

NOTE: Consult factory for configurations specific kits.

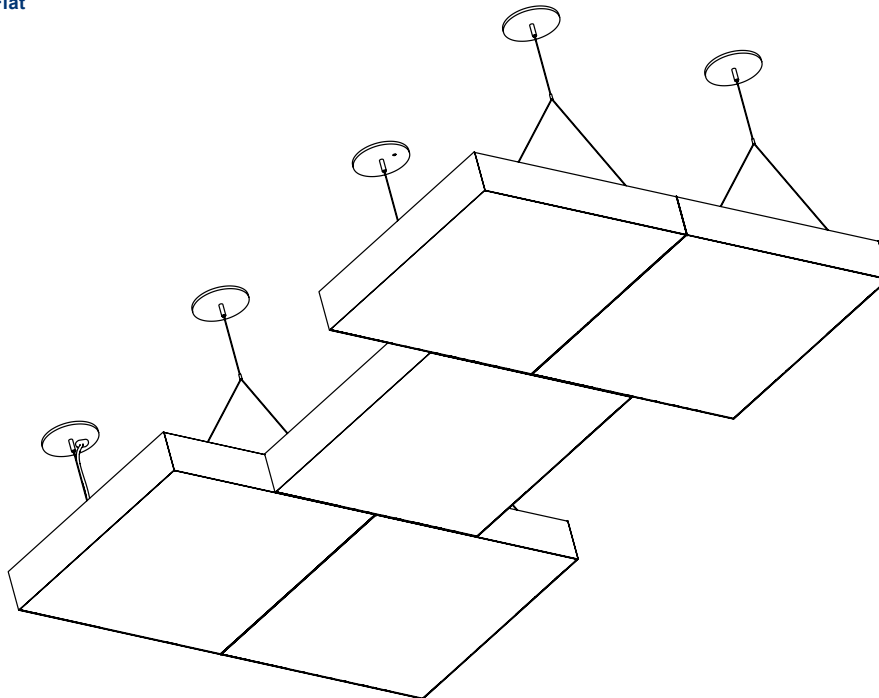
Continuous Row



Staggered Row 2x2 with Flat



Staggered Row 3x2 with Flat



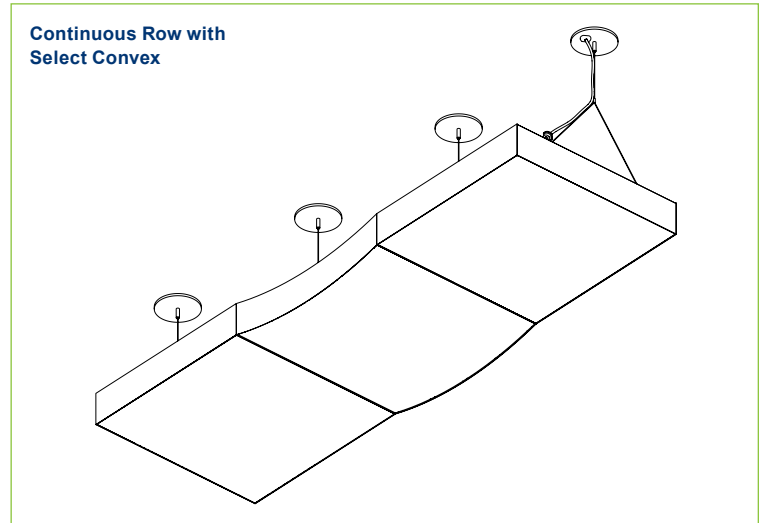
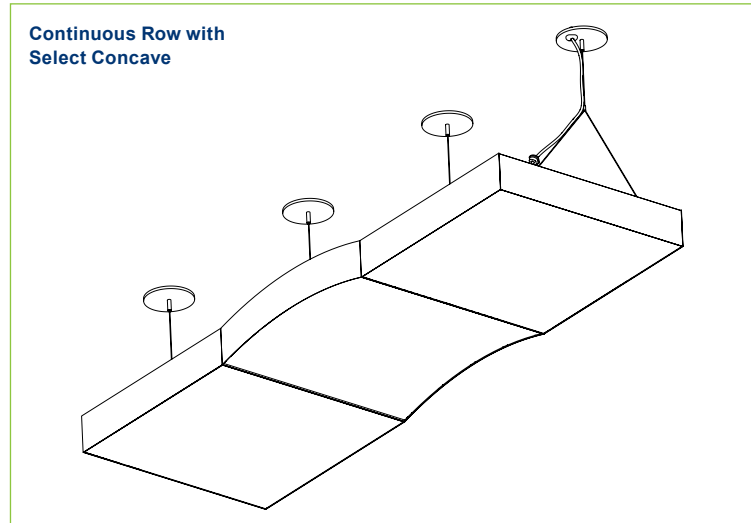
SELEST Flat

Visioneering Architectural Suspended Troffer with a Flat Profile

Project:	Catalogue:	Type:
Notes:		

Layout Options

NOTE: Consult factory for configurations specific kits.



Selest Flat

Flat, Fully Luminous Design for Modern Interiors



Visioneering's Selest Flat is a specification grade 2x2 suspended LED luminaire with a flat, frameless profile and fully luminous aperture. Ideal for commercial, hospitality, and educational environments, it creates a sleek, contemporary aesthetic with uniform light distribution. This fixture integrates seamlessly with other Selest luminaires for continuous row mounting, maintaining a harmonious architectural layout. With L80 for over 60,000 hours, optional tunable white (2700K–6500K), and a frameless aperture, Selest Flat combines design impact with reliable performance.

Applications:

Commercial, Retail, Architectural, Hospitality, Educational, and Healthcare

Features:

- Flat, frameless 2x2 luminous aperture
- Continuous row mounting with the Selest family
- Even, high efficiency illumination with L80 for over 60,000 hours

Other: [Click here](#) to see other Selest profiles.

Featured Options

- Tunable white (2700 - 6500K)
- Continuous Row Mounting
- Emergency lighting battery pack
- Dim to Dark 0.1 %
- DALI dimming

Approvals

- ETL listed.
- Suitable for dry and damp locations.
- RoHS Compliant.

