

SELEST Convex

Visioneering Architectural Suspended Luminaire with a Convex Lens

Project:	Catalogue:	Type:
Notes:		

Product Description

Specification-grade suspended LED 2x2 Luminaire featuring a striking convex curve and a fully luminous aperture. The Selest Convex is perfect for creating dynamic and visually engaging indoor environments. Designed for seamless integration, it can be effortlessly continuous row-mounted with other Selest products, maintaining a complimentary radius for a harmonious wave-like aesthetic. This luminaire enhances the ambiance while delivering energy efficiency and long-lasting performance.

Applications

Commercial, Retail, Architectural, Hospitality, Educational, and Healthcare

Features

- 2x2 configuration
- Standard low voltage dimming (0-10v, 1%)
- Fully luminous aperture
- Frame-less illumination

Featured Options

- Tunable white (2700 - 6500K)
- Continuous Row Mounting (compatible with other Selest 2x2 luminaires)
- Emergency lighting battery pack
- Dim to Dark 0.1 %
- DALI dimming

Other Configurations

- [4x4 Convex](#)
- [2x2 Concave](#)
- [2x2 Flat](#)
- [2x2 Triangle](#)

Optical System

Frosted curved single-piece diffuser.

Mounting

Adjustable aircraft cable mounting system used at each hanging location.

Construction

Die-formed, cold rolled steel housing assembly. Wiring access plates provided on back of housing.

Finish

5 stage pretreatment, polyester powder coating.

Electrical

Long life LEDs coupled with high efficiency drivers provide quality illumination. Rated to deliver L80 performance > 60,000 hours. Standard low voltage dimming (0-10v, 1%) driver.

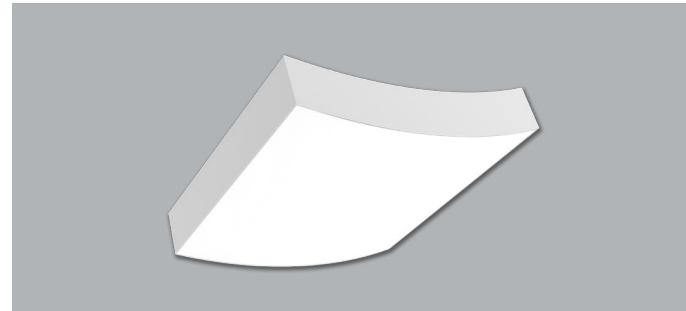
Warranty

5 year limited warranty. For complete warranty, click here:

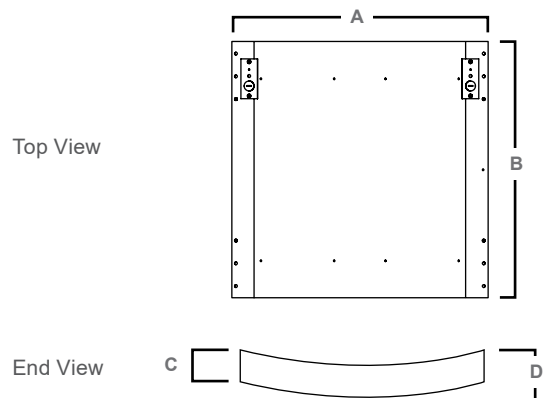


Approvals

- ETL Certified to UL1598 and CSA22.2 no 250.0.
- Suitable for dry and damp locations.
- RoHS Compliant.



Dimensions



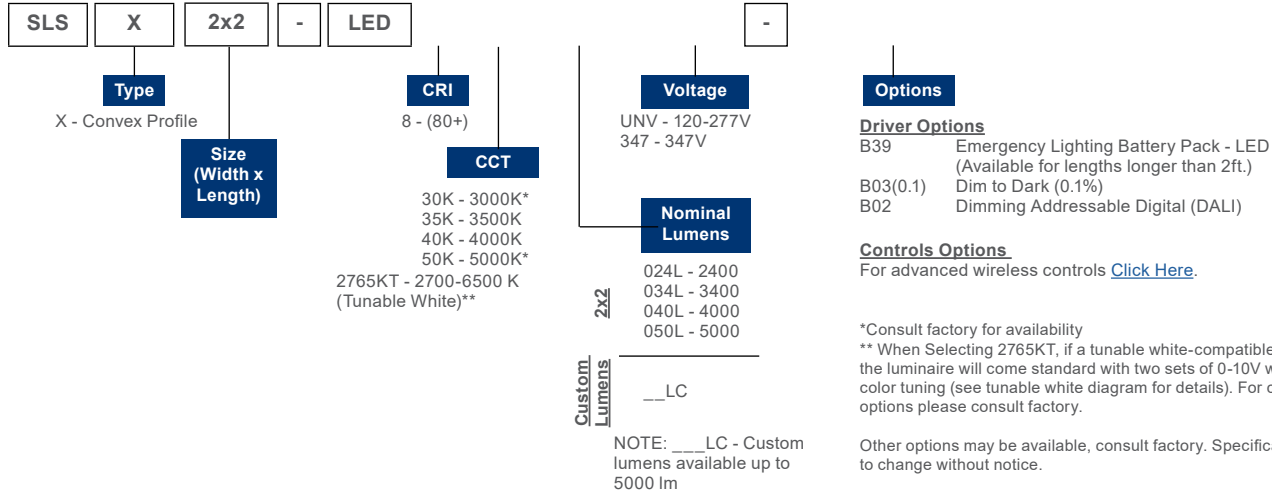
Dimensions (inch)				
Size	A	B	C	D
2x2	22.50	22.50	4.00	5.50

Consult installation guide for exact dimensions.

Project:	Catalogue:	Type:
Notes:		

Order Key

EXAMPLE: SLSX2x2-LED840K040LUNV



*Consult factory for availability
 ** When Selecting 2765KT, if a tunable white-compatible control is not selected the luminaire will come standard with two sets of 0-10V wires for dimming and color tuning (see tunable white diagram for details). For compatible control options please consult factory.
 Other options may be available, consult factory. Specifications and data subject to change without notice.

Performance Data

LED Performance Data				
Type	Nominal Lumens	Delivered Lumens	Watts	Lumens Per Watt
X	2400	2409	20.6	117.1
	3400	3445	30.1	114.4
	4000	4006	35.4	113.1
	5000	5011	45.3	110.7

Values based on 840K with standard lens at 25°C

Performance Scaling Factor

	50K	40K	35K	30K
80CRI	1.000	1.000	0.960	0.946

Lifetime Expectancy

	Calculated Hours	Reported Hours
L70	≥ 238,000	> 60,000
L80	≥ 149,000	> 60,000
L90	≥ 71,000	> 60,000

*Custom Lumens

*Custom Lumens		
Size	Nominal Lumens Range	Watts
2x2	2400 - 5000	20.6 - 45.3

*3000Lm Example:
 SLSX2x2-LED840K030LCUNV

Power and Installation Kits (Ordered Separately)

Part#	Description
KIT00469	UNV Stand-Alone / Start of Run Power Kit 2 x 48" Y Air Craft Cable & Canopies with UNV Power Feed

For larger installations with multiple Selests, please 'consult factory'.

Project:	Catalogue:	Type:
Notes:		

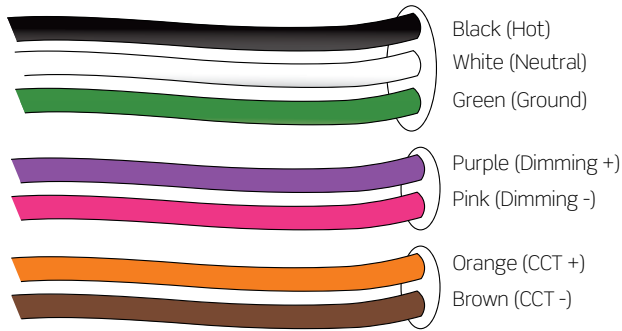
EM Ordering Guide

EM Function	Order Code	Description	Notes
Standard EM	B39	10W EM battery pack	Standard 10W output, 90 minute run time in emergency mode.
High Wattage EM	B39(20W)	20W EM battery pack	Standard 20W output, 90 minute run time in emergency mode.
347V EM	347...B39	8W 347V EM battery pack	Fixture part number indicates 347V input voltage.
347 High Wattage EM	347...B39(20W)	20W 347V EM battery pack	Fixture part number indicates 347V input voltage.
Self Testing EM	B39(SD)	10W Self Test EM battery pack	Self test instructions provided with each fixture. Digital copies available as needed.
Cold Weather	B06...B39	10W Cold Weather EM battery pack suitable to -20°C	Standard EM battery pack 0°C minimum temperature.
120 Minute EM	B39(2HR)	EM battery pack with 120 minute minimum run time	Standard 14W output, 120 minute run time in emergency mode.
Specified EM	B39(xx)	Customer to specify brand, model number and/or feature.	xx Indicates model number of specified by Viscor.

Tunable White

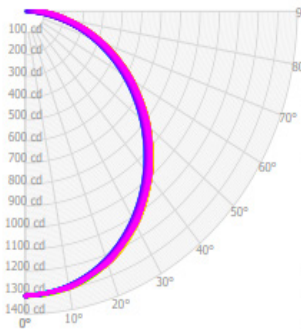
When Selecting 2765KT, if a tunable white-compatible control is not selected the luminaire will come standard with two sets of 0-10V wires for dimming and color tuning. For compatible control options please consult factory.

Dim and CCT control wire colors are subject to change without notice. All control wires are marked per the parentheses.



Photometrics

IES File: **SLSX2X2-LED840K040LUNV**
 Lumens: **N/A**
 Wattage: **37**
 Efficacy: **108**



Zonal Lumen Summary

Zone	Lumens	%Fixture pc	Coefficients of Utilization																							
			Values are lumens delivered to the workplane from a single luminaire																							
			80%				70%				50%				30%				10%				0%			
0.0° - 30.0°	1029	25.7%	pw	70%	50%	30%	10%	70%	50%	30%	10%	50%	30%	10%	50%	30%	10%	50%	30%	10%	50%	30%	10%	0%		
0.0° - 30.0°	1029	25.7%	pw	0	4760	4760	4760	4760	4645	4645	4645	4645	4430	4430	4430	4233	4233	4233	4052	4052	4052	3967				
0.0° - 40.0°	1691	42.2%	1	4317	4112	3929	3764	4202	4017	3850	3698	3837	3700	3573	3673	3560	3456	3521	3431	3346	3257					
0.0° - 60.0°	3021	75.4%	2	3911	3565	3279	3039	3800	3485	3222	2999	3335	3113	2922	3196	3011	2848	3068	2915	2778	2687					
0.0° - 90.0°	3967	99.0%	3	3558	3120	2781	2510	3453	3052	2738	2485	2926	2656	2435	2808	2579	2386	2699	2506	2340	2248					
			4	3252	2757	2394	2117	3155	2700	2362	2100	2593	2299	2066	2494	2239	2033	2401	2182	2000	1910					
			5	2987	2459	2089	1816	2899	2411	2064	1804	2320	2014	1780	2235	1967	1756	2157	1922	1733	1645					
			6	2757	2211	1844	1581	2676	2170	1824	1572	2093	1784	1554	2020	1746	1537	1953	1710	1520	1434					
			7	2555	2002	1644	1393	2482	1967	1627	1386	1901	1595	1373	1839	1565	1359	1781	1535	1346	1265					
			8	2377	1825	1478	1240	2311	1795	1465	1235	1739	1438	1224	1685	1413	1214	1635	1388	1204	1125					
			9	2220	1674	1340	1114	2160	1648	1328	1109	1599	1306	1101	1553	1285	1093	1509	1265	1085	1010					
			10	2081	1544	1222	1008	2027	1521	1213	1005	1478	1194	998	1438	1176	992	1400	1159	985	914					
0.00°	3652	3652	3652	Effective Floor Cavity Reflectance: 20%																						
45.00°	3085	2915	3042																							
55.00°	2872	2649	2796																							
65.00°	2587	2302	2463																							

SELEST Convex

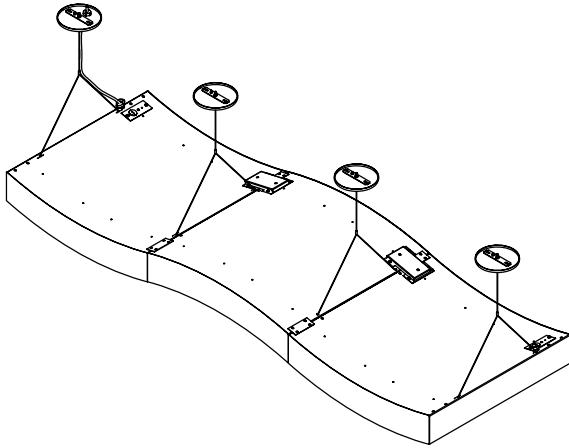
Visioneering Architectural Suspended Luminaire with a Convex Lens

Project:	Catalogue:	Type:
Notes:		

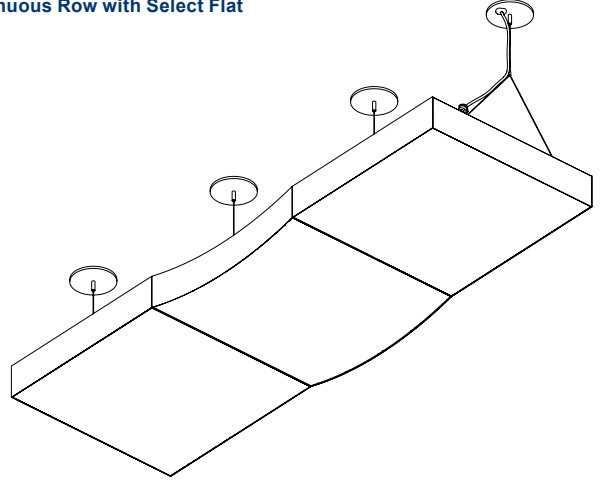
Inspiration (Configurations)

NOTE: Consult factory for configurations specific kits.

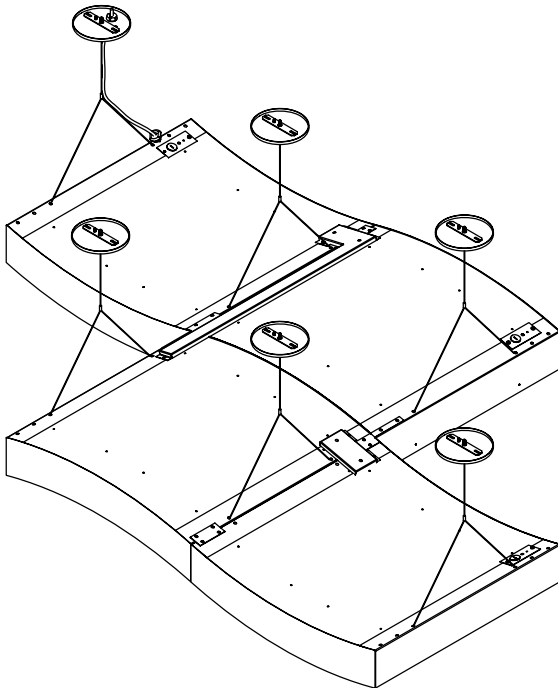
Continuous Row with Select Concave



Continuous Row with Select Flat



Staggered Row 2x2 with Concave



Staggered Row 2x3 with Concave

