

OUTLINE™ Type U

LED - Recessed Architectural

LEVITON® | Visioneering

Project:	Catalogue:	Type:
Notes:		

Product Description

The Outline™ LED luminaire provides dramatic visual impact to any modern architectural space. This specification-grade, recessed luminaire features angular accents and a single continuous lens for modern styling and high visual comfort. The Outline™ is perfect for use with indoor architectural applications where low-glare, high-quality and ease of installation are required. This IC-rated lay-in T-Bar luminaire's low-profile design makes it ideal for shallow or obstructed plenum applications.

Applications

Office Areas, Retail Stores, Classrooms

Features

- Enhanced, uniform lighting delivers a balanced amount of light to walls, cubicles, work surfaces and people
- Laser formed frosted lens
- Standard low voltage 1% dimming (0-10v)
- For use in insulated ceilings

Featured Options

- Tunable White
- Emergency battery pack
- Flexible metal whip - 6" x 3/18 gauge conductors

Optical System

Standard frosted laser formed one-piece diffuser, offers high levels of efficiency and visual comfort.

Mounting

This luminaire has been specifically designed for T-Bar applications and features integral earthquake clips for additional support. Ceiling tile provided by others.

Construction

Die-formed, code gauge steel housing. Precision-formed steel reflector.

Finish

White polyester powder painted surfaces.

Electrical

Long life LEDs coupled with high efficiency drivers, provide quality illumination. Rated to deliver L80 performance > 60,000 hours.

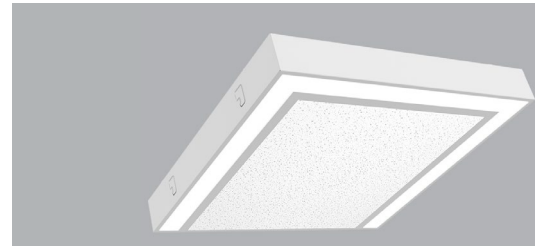
Warranty

5 year limited warranty. For complete warranty, click here: [5YR Warranty](#)

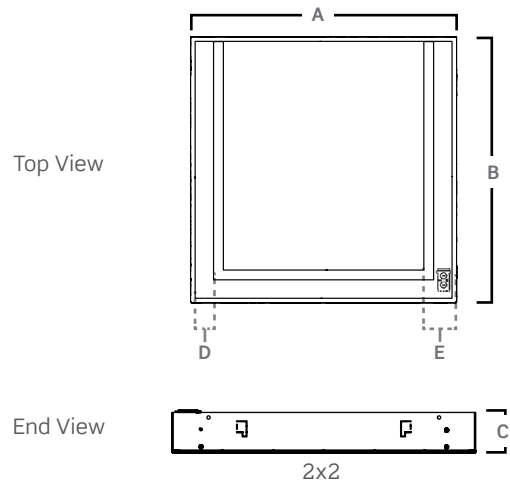


Approvals

- Approved to CSA/UL standards. UL listed for insulated ceilings.
- Tested in accordance to IESNA LM-79.
- Suitable for damp locations.



Dimensions



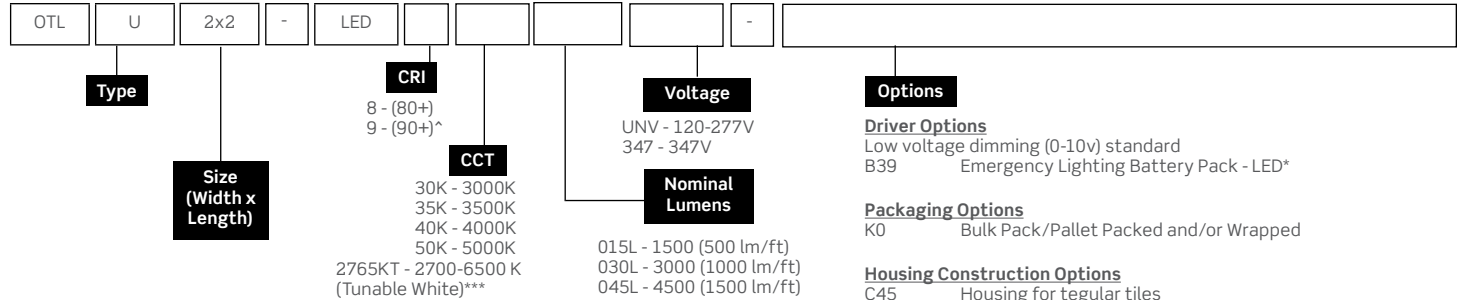
Size	A	B	C	D	E
2x2	23.72"	23.72"	2.5"	1.75"	3.5"

Consult installation guide for exact dimensions.

Project:	Catalogue:	Type:
Notes:		

Order Key

EXAMPLE: OTLU2X2-LED840K030LUNV



^ 90+ CRI reduces lumen output by 20%, not available with 5000K

*All emergency models will be with remote lighting battery pack.

*** When Selecting 2765KT, if a tunable white-compatible control is not selected the luminaire will come standards with two sets of 0-10V wires for dimming and color tuning (see tunable white diagram for details). For compatible control options please consult factory.

Other options may be available, consult factory. Specifications and data subject to change without notice.

Performance Data

Size	Nominal Lumens	Delivered Lumens	Watts	Lumens per Watt
2x2	1500	1564	14.5	108.2
	3000	3084	29.8	103.6
	4500	4527	45.7	99

Values based on 840K with standard lens at 25C

Performance Scaling Factor

	50K	40K	35K	30K
80CRI	1.000	1.000	0.960	0.946
90CRI	0.875	0.875	0.836	0.809

Lifetime Expectancy

	Calculated Hours	Reported Hours
L70	≥ 238,000	> 60,000
L80	≥ 149,000	> 60,000
L90	≥ 71,000	> 60,000

Flange Kits (Ordered Separately)**	
Size (Width x Length)	Item No.
1x4	KIT00136
2x2	KIT00137
2x4	KIT00138

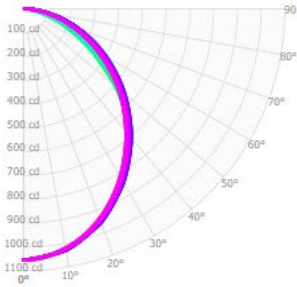
Surface Kits (Ordered Separately)**	
Size (Width x Length)	Item No.
1x4	KIT00326
2x2	KIT00327
2x4	KIT00316

** Ceiling tile or similar required

Project:	Catalogue:	Type:
Notes:		

Photometrics

IES File: **OTLU2X2-LED840K030LUNV**
 Lumens: **N/A**
 Wattage: **28**
 Efficacy: **95**



Zonal Lumen Summary

Zone	Lumens	
0.0° - 30.0°	788	29.7%
0.0° - 40.0°	1264	47.6%
0.0° - 60.0°	2145	80.9%
0.0° - 90.0°	2652	100.0%

Average Luminance Table (cd/m2) CP Summary

	0.00°	45.00°	90.00°
0.00°	2929	2929	2929
45.00°	2346	2377	2443
55.00°	2137	2197	2278
65.00°	1879	1850	2107
75.00°	1519	1456	1941
85.00°	690	1265	1964

Coefficients of Utilization

pc	80%			80%			70%					
pw	70%	50%	30%	10%	70%	50%	30%	10%	50%	30%	10%	30%
0	3157	3157	3157	3157	3084	3084	3084	3084	2947	2947	2821	2821
1	2891	2768	2657	2557	2819	2708	2607	2515	2595	2512	2436	2491
2	2637	2423	2247	2098	2567	2373	2211	2073	2279	2143	2025	2193
3	2410	2137	1925	1757	2345	2095	1899	1741	2016	1848	1710	1943
4	2212	1900	1672	1497	2151	1865	1652	1487	1799	1613	1466	1737
5	2038	1703	1469	1296	1983	1673	1453	1289	1617	1423	1275	1565
6	1885	1538	1304	1137	1835	1512	1292	1132	1465	1268	1121	1420
7	1751	1397	1168	1008	1705	1376	1159	1004	1336	1140	997	1298
8	1632	1278	1055	902	1591	1260	1047	899	1225	1032	894	1192
9	1526	1175	960	815	1489	1159	953	812	1129	941	808	1101
10	1432	1086	879	741	1399	1072	873	739	1046	863	736	1022

Effective Floor Cavity Reflectance: 20%

Tunable White

When Selecting 2765KT, if a tunable white-compatible control is not selected the luminaire will come standard with two sets of 0-10V wires for dimming and color tuning. For compatible control options please consult factory.

Dim and CCT control wire colors are subject to change without notice. All control wires are marked per the parentheses.

