

# OUTLINE™ Type L

LED - Recessed Architectural

Project:	Catalogue:	Type:
Notes:		

## Product Description

The Outline™ LED luminaire provides dramatic visual impact to any modern architectural space. This specification-grade, recessed luminaire features angular accents and a single continuous lens for modern styling and high visual comfort. The Outline™ is perfect for use with indoor architectural applications where low-glare, high-quality and ease of installation are required. This IC-rated lay-in T-Bar luminaire's low-profile design makes it ideal for shallow or obstructed plenum applications.

## Applications

Office Areas, Retail Stores, Classrooms

## Features

- Enhanced, uniform lighting delivers a balanced amount of light to walls, cubicles, work surfaces and people
- Laser formed frosted lens
- Standard low voltage 1% dimming (0-10v)
- For use in insulated ceilings

## Featured Options

- Tunable White
- Emergency battery pack
- Flexible metal whip - 6" x 3/18 gauge conductors

## Optical System

Standard frosted laser formed one-piece diffuser, offers high levels of efficiency and visual comfort.

## Mounting

This luminaire has been specifically designed for T-Bar applications and features integral earthquake clips for additional support. Ceiling tile provided by others.

## Construction

Die-formed, code gauge steel housing. Precision-formed steel reflector.

## Finish

White polyester powder painted surfaces.

## Electrical

Long life LEDs coupled with high efficiency drivers, provide quality illumination. Rated to deliver L80 performance > 60,000 hours.

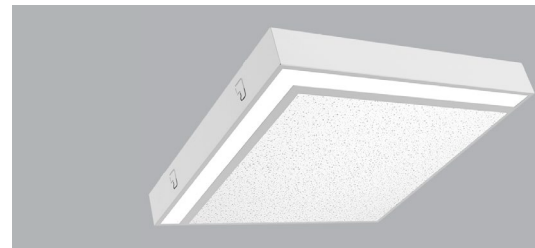
## Warranty

5 year limited warranty. For complete warranty, click here: [5YR Warranty](#)

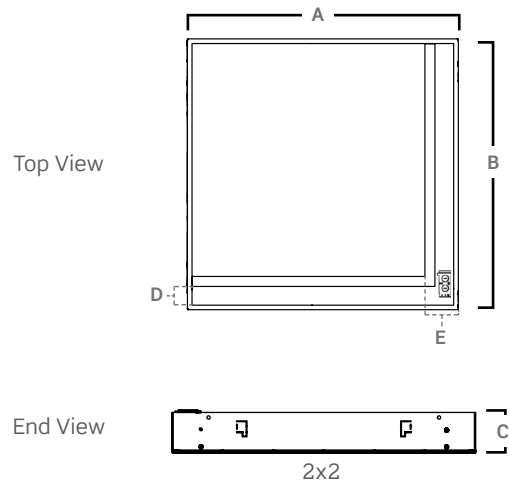


## Approvals

- Approved to CSA/UL standards. UL listed for insulated ceilings.
- Tested in accordance to IESNA LM-79.
- Suitable for damp locations.



## Dimensions



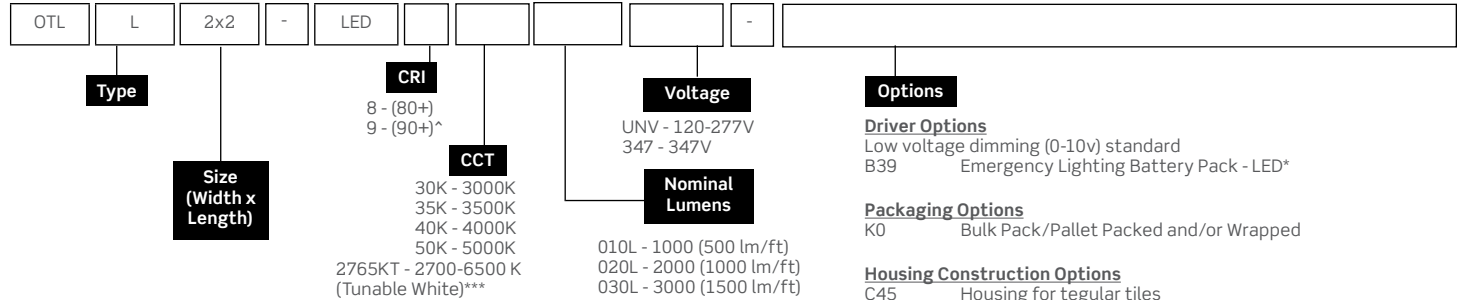
Size	A	B	C	D	E
2x2	23.72"	23.72"	2.5"	1.75"	3.5"

Consult installation guide for exact dimensions.

Project:	Catalogue:	Type:
Notes:		

## Order Key

### EXAMPLE: OTLL2X2- LED840K010LUNV



^ 90+ CRI reduces lumen output by 20%, not available with 5000K

\*All emergency models will be with remote lighting battery pack.

\*\*\* When Selecting 2765KT, if a tunable white-compatible control is not selected the luminaire will come standards with two sets of 0-10V wires for dimming and color tuning (see tunable white diagram for details). For compatible control options please consult factory.

Other options may be available, consult factory. Specifications and data subject to change without notice.

## Performance Data

Size	Nominal Lumens	Delivered Lumens	Watts	Lumens per Watt
2x2	1000	1024	9.6	106.3
	2000	2019	19.8	101.7
	3000	3033	31.3	96.9

Values based on 840K with standard lens at 25C

## Performance Scaling Factor

	50K	40K	35K	30K
80CRI	1.000	1.000	0.960	0.946
90CRI	0.875	0.875	0.836	0.809

## Lifetime Expectancy

	Calculated Hours	Reported Hours
L70	≥ 238,000	> 60,000
L80	≥ 149,000	> 60,000
L90	≥ 71,000	> 60,000

Flange Kits (Ordered Separately)**	
Size (Width x Length)	Item No.
1x4	KIT00136
2x2	KIT00137
2x4	KIT00138

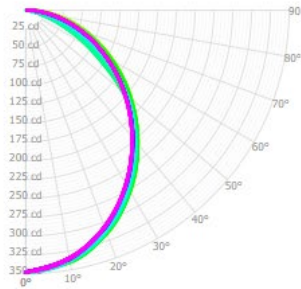
Surface Kits (Ordered Separately)**	
Size (Width x Length)	Item No.
1x4	KIT00326
2x2	KIT00327
2x4	KIT00316

\*\* Ceiling tile or similar required

Project:	Catalogue:	Type:
Notes:		

## Photometrics

IES File: OTLL2X2-LED840K010LUNV  
 Lumens: N/A  
 Wattage: 11  
 Efficacy: 79



### Zonal Lumen Summary

Zone	Lumens	
0.0° - 30.0°	259	29.8%
0.0° - 40.0°	414	47.7%
0.0° - 60.0°	701	80.7%
0.0° - 90.0°	868	100.0%

### Coefficients of Utilization

pc	80%			80%			70%									
	70%	50%	30%	10%	70%	50%	30%	10%	50%	30%	10%	50%	30%	10%	30%	
0	1034	1034	1034	1034	1010	1010	1010	1010	965	965	965	924	924	924	886	886
1	946	906	869	836	923	886	853	823	849	822	797	815	793	772	784	766
2	863	793	735	686	840	777	723	678	746	701	662	718	680	647	691	660
3	789	699	630	575	768	686	621	570	660	605	559	636	589	550	614	574
4	724	622	547	490	704	610	541	487	589	528	480	569	516	473	550	505
5	667	558	481	424	649	548	476	422	530	466	417	512	457	413	497	448
6	617	503	427	372	601	495	423	371	480	415	367	465	408	364	452	401
7	573	458	383	330	558	451	379	329	437	373	326	425	367	324	413	361
8	534	419	346	296	521	413	343	295	401	338	293	390	333	291	380	328
9	500	385	315	267	488	380	312	266	370	308	265	361	304	263	352	300
10	469	356	288	243	458	351	286	242	343	283	241	335	279	240	327	276

### Average Luminance Table (cd/m2) CP Summary

	0.00°	45.00°	90.00°
0.00°	964	964	964
45.00°	772	789	812
55.00°	713	737	764
65.00°	653	661	722
75.00°	595	579	704
85.00°	373	622	842

Effective Floor Cavity Reflectance: 20%

## Tunable White

When Selecting 2765KT, if a tunable white-compatible control is not selected the luminaire will come standard with two sets of 0-10V wires for dimming and color tuning. For compatible control options please consult factory.

Dim and CCT control wire colors are subject to change without notice. All control wires are marked per the parentheses.

