

ONCURVE-CONVEX

LED - Architectural Recessed Troffer with Convex lens

Project:	Catalogue #:	Type:
Notes:		

Product Description

Premium-grade, recessed, lay-in T-Bar troffer with modern styling and high visual comfort featuring a single convex lens. For use with indoor applications where high efficiency, high performance and ease of installation are required.

Applications

Office Areas, Retail Stores, Classrooms, Hospitals, Nursing Homes, Hospitality

Features

- 2x2 configuration
- Standard low voltage dimming (0-10v, 1%)
- For use in insulated ceilings

Featured Options

- Emergency lighting battery pack

Optical System

Frosted curved single-piece diffuser.

Mounting

This luminaire has been specifically designed for T-Bar applications. Integral earthquake clips.

Construction

Die-formed, cold rolled heavy-gauge steel housing assembly. Wiring access plates and knockouts are provided on back of housing.

Finish

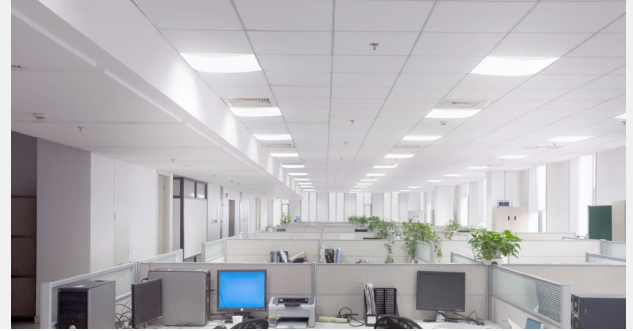
White, polyester powder painted housing.

Electrical

Long life LEDs coupled with high efficiency drivers provide quality illumination. Rated to deliver L80 performance > 50,000 hours. Standard low voltage dimming (0-10v) driver.

Warranty

5 year limited warranty. For complete warranty, click here:



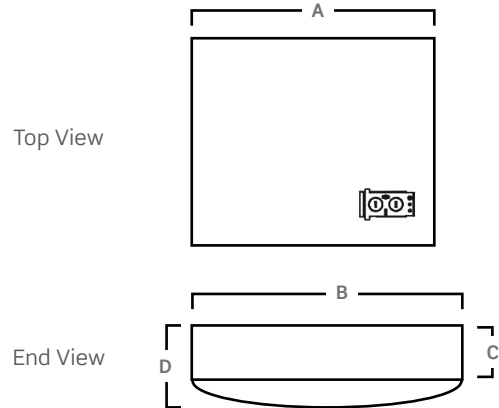
Approvals

- ETL Listed.
- Suitable for damp locations.
- DesignLights Consortium®.

All configurations may not be DLC qualified. Check www.designlights.org/QPL for qualified configurations.



Dimensions



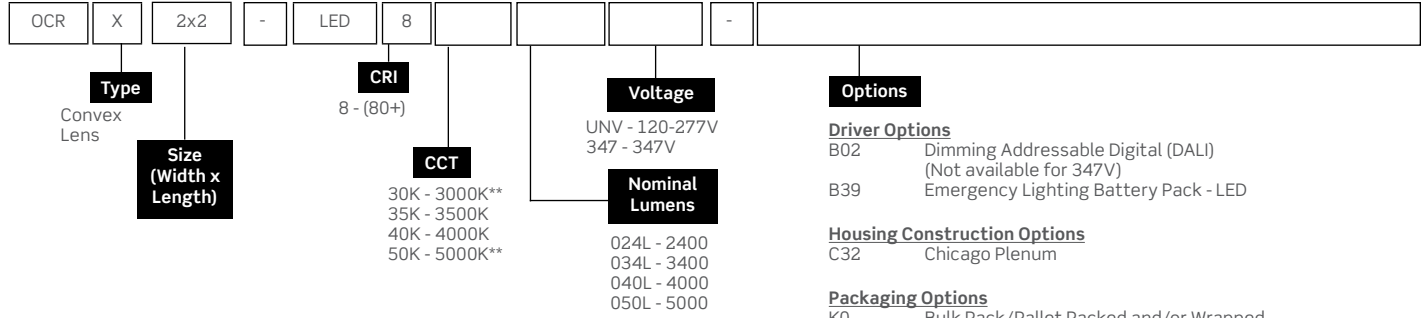
Size	A	B	C	D
2x2	23.75"	23.75"	4.5"	5.5"

Consult installation guide for exact dimensions.

Project:	Catalogue #:	Type:
Notes:		

Order Key

EXAMPLE: OCRX2x2-LED840K040LUNV



Options

Driver Options

- B02 Dimming Addressable Digital (DALI) (Not available for 347V)
- B39 Emergency Lighting Battery Pack - LED

Housing Construction Options

- C32 Chicago Plenum

Packaging Options

- K0 Bulk Pack/Pallet Packed and/or Wrapped

Wiring Options

- V100 Flexible Armored Steel Cable Whip (6Ft. x 5-Wire)
- V101 Flexible Armored Steel Cable Whip (6Ft. x 6-Wire) (For use with emergency battery pack)

Controls Options

For advanced wireless controls [Click Here](#).

** Consult factory for availability

Other options may be available, consult factory. Specifications and data subject to change without notice.

Performance Data

LED Performance Data				
Size	Nominal Lumens	Delivered Lumens	Watts	Lumens Per Watt
2x2	2400	2445	19	128.8
	3400	3406	28.4	120
	4000	4181	35.3	118
	5000	5073	41.5	122.2

Values based on 840K with standard lens at 25C

Performance Scaling Factor

	50K	40K	35K	30K
80CRI	1.000	1.000	0.960	0.946
90CRI	0.875	0.875	0.836	0.809

Flange Kits (Ordered Separately)	
Size (Width x Length)	Item No.
1x4	KIT00136
2x2	KIT00137
2x4	KIT00138

Surface Kits (Ordered Separately)	
Size (Width x Length)	Item No.
1x4	KIT00373
2x2	KIT00374
2x4	KIT00375