

LTRI - LED Tri Light

LED - Specification-Grade ADA Surface Mount LED Luminaire | Architectural Lighting

Project:	Catalogue:	Type:
Notes:		

Product Description

The LTRI luminaire successfully combines savvy design flair with practical functionality and efficiency. The LTRI (with sensor option) provides a standby low-light level, and upon detection of motion in a space, immediately increases the lighting to full brightness. When occupancy is no longer detected, the luminaire reverts back to the lower, standby level. The LTRI can save energy and provide safety by ensuring full light levels only when required.

Applications

Stairwells, Corridors, Hotels, Vanities

Features

- Unique ADA compliant design
- Smooth, white opal polycarbonate diffuser
- Available in 24 and 48 inch lengths
- Perfect for wall or ceiling mounting
- Standard low voltage dimming (0-10v)

Featured Options

- Ultrasonic Occ Sensor
- Emergency Battery Pack

Optical System

Standard diffuser is soft matte white opal polycarbonate designed for even and low glare illumination.

Mounting

Mounting holes are provided for surface mounted applications.

Construction

Die and brake-formed, code gauge, steel housing and ends. Spot-welded end plates and housing for rigidity and clean appearance. Knockouts are provided for conduit attachment.

Finish

White, polyester powder painted visible surfaces.

Electrical

Long life LEDs coupled with high efficiency drivers provide quality illumination. Rated to deliver L80 performance >60,000 hours. Supplied with dimmable drivers (0-10v).

Warranty

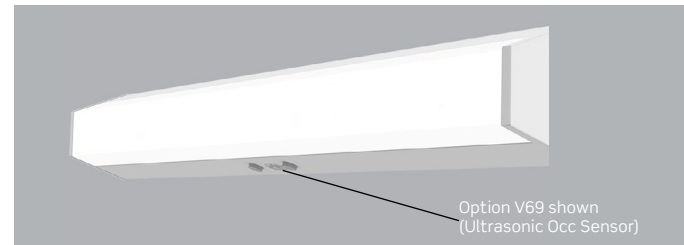
5 year limited warranty. For complete warranty, click here: 



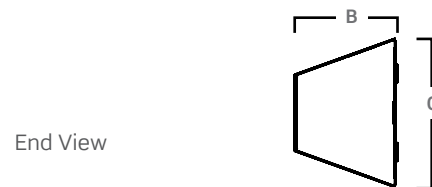
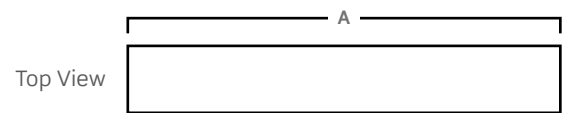
Approvals

- Approved to CSA and UL standards.
- DesignLights Consortium® Qualified.

All configurations may not be DLC qualified. Check www.designlights.org/QPL for qualified configurations..



Dimensions



Size	A	B	C
24	23"	3 15/16"	5 3/4"
48	45"	3 15/16"	5 3/4"

Consult installation guide for exact dimensions.

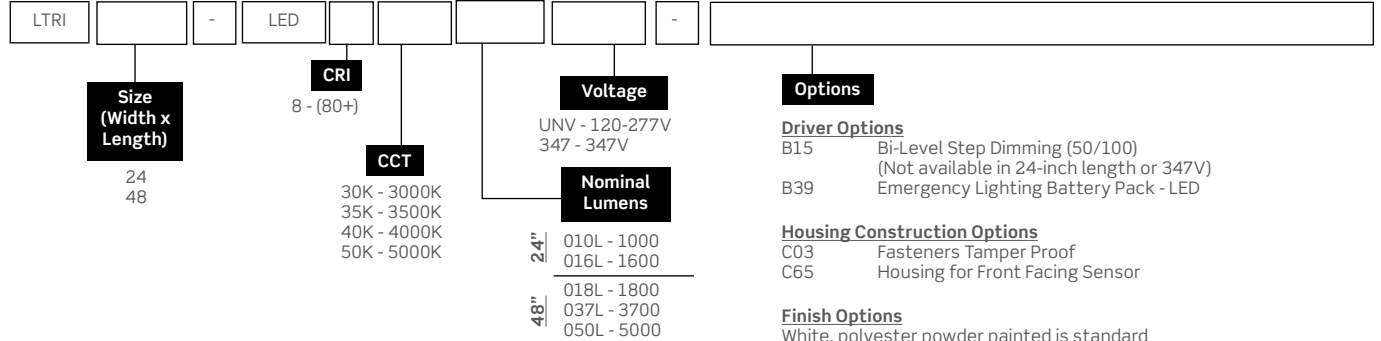
LTRI - LED Tri Light

LED - Specification-Grade ADA Surface Mount LED Luminaire | Architectural Lighting

Project:	Catalogue:	Type:
Notes:		

Order Key

EXAMPLE: LTRI48-LED835K037LUNV-V69



Driver Options

- B15 Bi-Level Step Dimming (50/100) (Not available in 24-inch length or 347V)
- B39 Emergency Lighting Battery Pack - LED

Housing Construction Options

- C03 Fasteners Tamper Proof
- C65 Housing for Front Facing Sensor

Finish Options

White, polyester powder painted is standard

- F01 Black Satin
- F14 Silver Reflective

Packaging Options

- K0 Bulk Pack/Pallet Packed and/or Wrapped
- K1 Pack Single

Sensor Options

- (Not to be used in conjunction with B15 option)
- (Not suitable for chain/cable suspension)
- (Not to be used in conjunction with B39 in 24" length)
- V69 Ultrasonic Occupancy Sensor (Capable of 0% / 10% / 25% / 50%)

Controls Options

To view the controls guide [Click Here](#).

Other options may be available, consult factory. Specifications and data subject to change without notice.

Performance Data

LED Performance Data				
Size	Nominal Lumens	Delivered Lumens	Watts	Lumens Per Watt
24	1000	1146	7.3	156.1
	1600	1659	11	151.2
48	1800	1916	12.1	157.8
	3700	3747	25.1	149.2
	5000	5058	33.7	150

Values based on 840K with standard lens at 25C

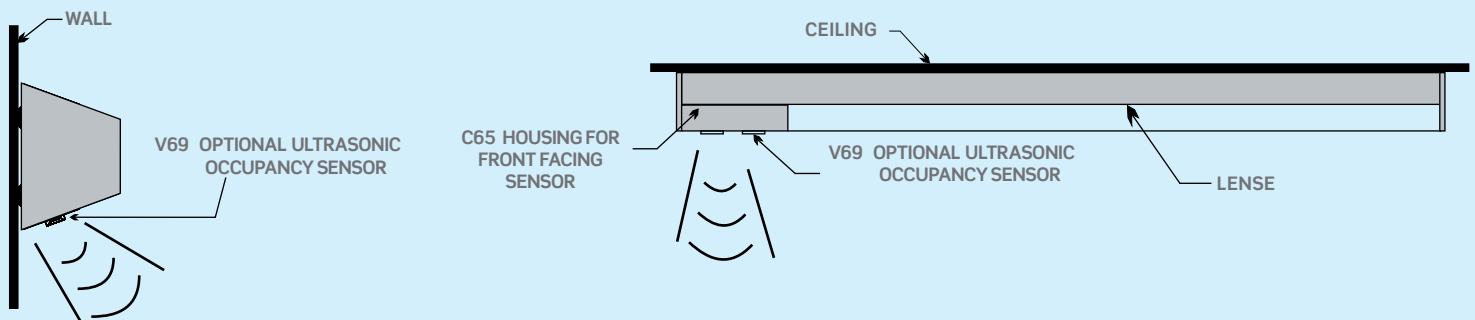
Performance Scaling Factor

	50K	40K	35K	30K
80CRI	1.000	1.000	0.960	0.946
90CRI	0.875	0.875	0.836	0.809

Lifetime Expectancy

	Calculated Hours	Reported Hours
L70	≥238,000	>60,000
L80	≥149,000	>60,000
L90	≥71,000	>60,000

Sensor Placement



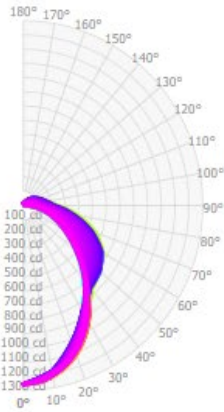
LTRI - LED Tri Light

LED - Specification-Grade ADA Surface Mount LED Luminaire | Architectural Lighting

Project:	Catalogue:	Type:
Notes:		

Photometrics

IES File: **LTRI48-LED840K037LUNV**
 Lumens: **3772**
 Wattage: **33**
 Efficacy: **114**



Zonal Lumen Summary

Zone	Lumens	
0.0° - 30.0°	895	23.7%
0.0° - 40.0°	1402	37.2%
0.0° - 60.0°	2392	63.4%
0.0° - 90.0°	3364	89.2%

Average Luminance Table (cd/m2) CP Summary

	0.00°	45.00°	90.00°
0.00°	14739	14739	14739
45.00°	9937	7866	8242
55.00°	8312	7013	8293
65.00°	7223	6562	8215
75.00°	6409	6118	7549
85.00°	3225	5277	6431

Coefficients of Utilization

pc	80%			70%			50%		
	70%	50%	30%	70%	50%	30%	70%	50%	30%
pw									
0	116	116	116	113	113	113	105	105	105
1	104	99	94	100	96	91	93	89	86
2	94	85	78	91	83	76	84	77	72
3	86	75	66	82	72	64	76	68	61
4	79	66	57	75	64	56	69	60	53
5	72	59	50	69	57	49	64	54	46
6	67	53	44	64	52	43	59	49	41
7	62	48	39	60	47	39	55	44	37
8	58	44	36	55	43	35	51	41	34
9	54	40	32	52	39	32	48	38	31
10	51	37	30	49	37	29	45	35	28

Effective Floor Cavity Reflectance: 20%