

Project:	Catalogue #:	Type:
Notes:		

**Product Description**

Commercial-grade, surface, modern styling and high visual comfort featuring a shallow semi-round lens. For use with indoor applications where low-glare, high quality and ease of installation are required. This luminaire comes with dual highefficiency reflectors for enhanced performance.

**Applications**

Office Areas, Retail Stores, Classrooms, Corridors, Hospitals, Nursing Homes

**Features**

- Shallow design
- Enhanced, uniform lighting delivers a balanced amount of light to walls, cubicles, work surfaces and people
- Extruded acrylic lenses
- Standard low voltage dimming (0-10v)
- Available in 1x4, 2x2 and 2x4 configurations

**Featured Options**

- Emergency battery pack
- Flexible metal whip - 6 foot x 3/18 gauge conductors

**Optical System**

Smooth extruded frosted linear prismatic acrylic diffuser, offers high levels of efficiency and visual comfort. Indirect reflectors are precision formed and contoured to provide soft, low-glare, indirect illumination, while maintaining high-efficiency and a wide, uniform light distribution.

**Mounting**

This luminaire has been specifically designed for surface or suspended applications.

**Construction**

Die-formed, code gauge steel housing. Precision-formed steel reflector.

**Finish**

White polyester powder painted surfaces.

**Electrical**

Long life LEDs coupled with high efficiency drivers, provide quality illumination. Rated to deliver L80 performance > 50,000 hours.

**Warranty**

5 year limited warranty. For complete warranty, click here:



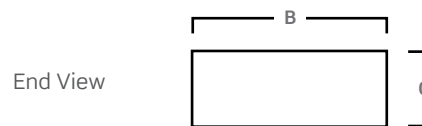
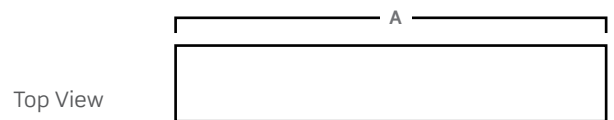
**Approvals**

- Approved to CSA/UL standards.
- Tested in accordance to IESNA LM-79
- Suitable for damp locations.
- DesignLights Consortium® Qualified.

All configurations may not be DLC qualified. Check [www.designlights.org/QPL](http://www.designlights.org/QPL) for qualified configurations.



**Dimensions**



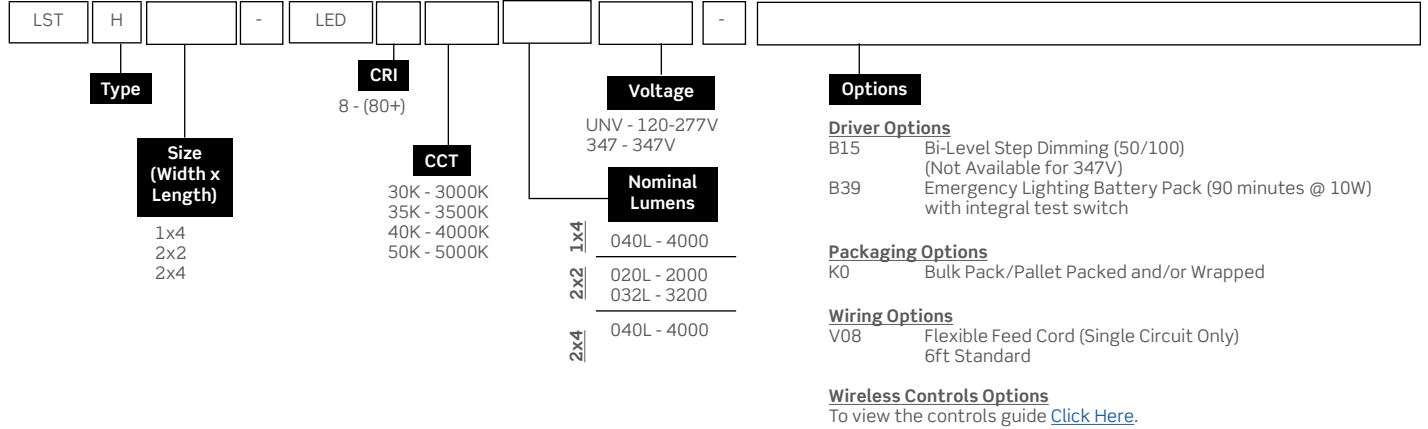
Size	A	B	C
1x4	47 3/4"	11 3/4"	4 3/16"
2x2	23 3/4"	23 3/4"	3 3/16"
2x4	47 3/4"	23 3/4"	3 3/16"

Consult installation guide for exact dimensions.

Project:	Catalogue #:	Type:
Notes:		

**Order Key**

**EXAMPLE: LSTH2x2- LED840K032LUNV**



Other options may be available, consult factory. Specifications and data subject to change without notice.

**Performance Data**

LED Performance Data				
Size	Nominal Lumens	Delivered Lumens	Watts	Lumens Per Watt
1x4	4000	3968	27.8	142.8
2x2	2000	2047	13.2	156
	3200	3178	21.2	151
2x4	4000	4135	27.8	148.8

Values based on 840K with standard lens at 25C

**Mounted Accessories (Ordered Separately)**

- KIT00001 Chain Set (2) 4ft w/ S-hooks.M10
- KIT00004 Aircraft "Y" Cable (10FT) with Adjustable Grip (2).M36
- KIT00018 S-Hooks Only (set of 4) for C/S Chain.M45
- KIT00022 Chain Set (2) 3ft w/ S-hooks.M10
- KIT00040 Chain Set (2) 6ft w/ S-hooks.M10
- KIT00042 Chain Set (2) 12ft w/ S-hooks.M10

**Photometrics**

IES File: **LSTH2X4-LED840K040LUNV**  
 Lumens: **3811**  
 Wattage: **31**  
 Eff cacy: **123**

**Zonal Lumen Summary**

Zone	Lumens	%Fixture
0.0° - 30.0°	992	26.0%
0.0° - 40.0°	1615	42.4%
0.0° - 60.0°	2843	74.6%
0.0° - 90.0°	3811	100.0%
0.0° - 110.0°	3811	100.0%
0.0° - 130.0°	3811	100.0%
0.0° - 150.0°	3811	100.0%
0.0° - 170.0°	3811	100.0%
0.0° - 180.0°	3811	100.0%

**Coefficients of Utilization**

pc	80%			70%			50%		
	70%	50%	30%	70%	50%	30%	70%	50%	30%
0	119	119	119	116	116	116	111	111	111
1	108	102	98	105	100	96	100	96	92
2	97	89	81	95	87	80	90	83	77
3	89	77	69	86	76	68	81	73	66
4	81	68	59	79	67	59	74	65	57
5	74	61	52	72	60	51	68	58	50
6	69	55	46	67	54	45	63	52	44
7	64	50	41	62	49	40	59	47	40
8	59	45	37	58	45	36	55	43	36
9	55	42	33	54	41	33	51	40	33
10	52	39	30	51	38	30	48	37	30

**Average Luminance Table (cd/m2) CP Summary**

	0.00°	45.00°	90.00°
0.00°	1781	1781	1781
45.00°	1451	1641	1814
55.00°	1319	1606	1867
65.00°	1159	1633	2033
75.00°	956	1860	2458
85.00°	486	2604	3033

Effective Floor Cavity Reflectance: 20%

