

Project:	Catalogue #:	Type:
Notes:		

**Product Description**

Premium-grade, surface-mounted, ceiling luminaire featuring one narrow teardrop-shaped center lens. For use with indoor applications where aesthetics, quality and standard 0-10v dimming is required. Features hinged and latched door frame with integral lens and optics.

**Applications**

Office Areas, Retail Stores, Schools, Corridors, Hospitals



**Features**

- Enhanced, uniform lighting delivers a balanced amount of light to walls, cubicles, work surfaces and people
- Clean appearance - no exposed fasteners
- Shallow design
- Mitred corners
- Extruded acrylic diffuser
- 80+ CRI
- Standard low voltage dimming (0-10V, 1%)
- Available in 1x4, 2x2 and 2x4 configurations

**Featured Options**

- Emergency Lighting Battery Pack
- Step Dimming
- Occupancy Sensor

**Optical System**

Extruded frosted acrylic diffuser offers high levels of efficiency and visual comfort. Indirect reflectors are precision formed and contoured to provide soft, low-glare, indirect illumination, while maintaining high-efficiency and a wide, uniform light distribution.

**Mounting**

Holes provided for chain-mounting support to building structure. Offset mounting pad, which keep luminaire level and slightly off of mounting surface, are formed within the housing. Optional aircraft cable assemblies and canopy sets are available.

**Construction**

CNC brake-formed, code gauge steel housing and ends. Precision-formed steel reflector. Diffuser is held within a hinged door frame. The heavy-gauge door frame hinges downward on either side, and is held in the closed position by two positive cam latches.

**Finish**

White polyester powder painted surfaces standard. Consult rep for other finishes.

**Electrical**

Long life LEDs coupled with high efficiency drivers provide quality illumination. Rated to deliver L80 > 50,000 hours.

**Warranty**

5 year limited warranty. For complete warranty, click here:



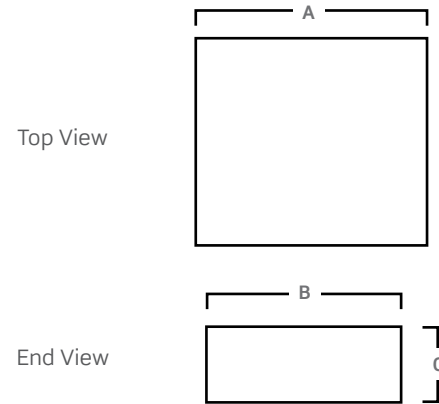
**Approvals**

- Approved to CSA/UL standards.
- Suitable for damp locations.
- DesignLights Consortium® Qualified.

All configurations may not be DLC qualified. Check [www.designlights.org/QPL](http://www.designlights.org/QPL) for qualified configurations.



**Dimensions**



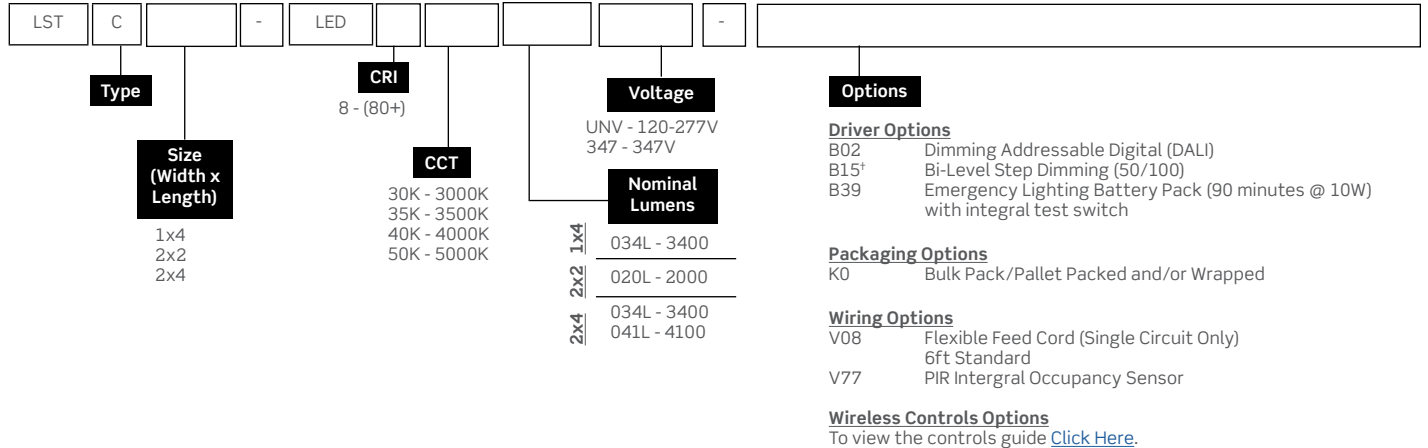
Size	A	B	C
1x4	47 3/4"	13 3/4"	3 3/16"
2x2	23 3/4"	23 3/4"	3 3/16"
2x4	47 3/4"	23 3/4"	3 3/16"

Consult installation guide for exact dimensions.

Project:	Catalogue #:	Type:
Notes:		

Order Key

EXAMPLE: LSTC2x2-LED835K020LUNV



<sup>†</sup>Not available for 347V.

Other options may be available, consult factory. Specifications and data subject to change without notice.

Performance Data

LED Performance Data				
Size	Nominal Lumens	Delivered Lumens	Watts	Lumens Per Watt
1x4	3400	3426	26.5	129.5
2x2	2000	2031	16.1	126.5
2x4	3400	3426	26.5	129.5
	4100	4121	32.6	126.2

Values based on 840K with standard lens at 25C

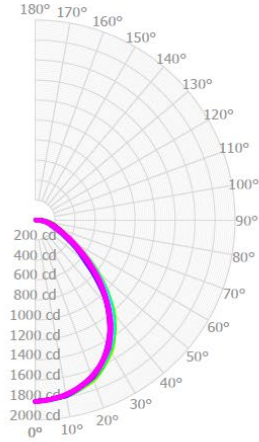
Mounted Accessories (Ordered Separately)

- KIT00001 Chain Set (2) 4ft w/ S-hooks.M10
- KIT00004 Aircraft "Y" Cable (10Ft) with Adjustable Grip (2).M36
- KIT00018 S-Hooks Only (set of 4) for C/S Chain.M45
- KIT00022 Chain Set (2) 3ft w/ S-hooks.M10
- KIT00040 Chain Set (2) 6ft w/ S-hooks.M10
- KIT00042 Chain Set (2) 12ft w/ S-hooks.M10

Project:	Catalogue #:	Type:
Notes:		

**Photometrics**

IES File: **LSTA2X2-LED840K040LUNV**  
 Lumens: **4011**  
 Wattage: **37.7**  
 Efficacy: **106**



**Zonal Lumen Summary**

Zone	Lumens	%Fixture
0.0° - 30.0°	1392	34.7%
0.0° - 40.0°	2224	55.5%
0.0° - 60.0°	3476	86.7%
0.0° - 90.0°	4011	100.0%
0.0° - 110.0°	4011	100.0%
0.0° - 130.0°	4011	100.0%
0.0° - 150.0°	4011	100.0%
0.0° - 170.0°	4011	100.0%
0.0° - 180.0°	4011	100.0%

**Coefficients of Utilization**

pc	80%			70%			50%		
	pw	70%	50%	30%	70%	50%	30%	70%	50%
0	119	119	119	116	116	116	111	111	111
1	110	106	102	107	103	100	102	99	96
2	101	94	88	99	92	86	94	88	84
3	93	84	76	91	82	75	87	79	73
4	86	75	67	84	74	66	80	71	65
5	80	68	60	78	67	59	74	65	58
6	74	62	53	72	61	53	69	59	52
7	69	56	48	67	55	48	64	54	47
8	64	52	44	63	51	43	60	50	43
9	60	48	40	59	47	40	56	46	39
10	57	44	37	55	44	36	53	43	36

**Average Luminance Table (cd/m2)**

CP Summary			
	0.00°	45.00°	90.00°
0.00°	5036	5036	5036
45.00°	3740	3886	3914
55.00°	2913	2947	2855
65.00°	2170	1989	2133
75.00°	1766	1571	2156
85.00°	1162	2303	2929

Effective Floor Cavity Reflectance: 20%