

Project:	Catalogue #:	Type:
Notes:		

Product Description

Premium-grade, surface-mounted, ceiling luminaire featuring two narrow teardrop - shaped lenses. For use with indoor applications where aesthetics, quality and standard 0-10v dimming is required. Features hinged and latched door frame with integral lenses and optics.

Applications

Office Areas, Retail Stores, Schools, Corridors, Hospitals

Features

- Enhanced, uniform lighting delivers a balanced amount of light to walls, cubicles, work surfaces and people
- Clean appearance - no exposed fasteners
- Shallow design
- Mitred corners
- Extruded acrylic diffuser
- 80+ CRI
- Standard low voltage dimming (0-10V, 1%)
- Available in 2x2 and 2x4 configurations

Featured Options

- Emergency Lighting Battery Pack
- Step Dimming

Optical System

Extruded frosted acrylic diffuser offers high levels of efficiency and visual comfort. Indirect reflectors are precision formed and contoured to provide soft, low-glare, indirect illumination, while maintaining high-efficiency and a wide, uniform light distribution.

Mounting

Holes provided for chain-mounting support to building structure. Offset mounting pads, which keep luminaire level and slightly off of mounting surface, are formed within the housing. Optional aircraft cable assemblies and canopy sets are available.

Construction

CNC brake-formed, code gauge steel housing and ends. Precision-formed steel reflector. Diffuser is held within a hinged door frame. The heavy-gauge door frame hinges downward on either side, and is held in the closed position by two positive cam latches.

Finish

White polyester powder painted surfaces standard. Consult rep for other finishes.

Electrical

Long life LEDs coupled with high efficiency drivers provide quality illumination. Rated to deliver L80 > 50,000 hours.

Warranty

5 year limited warranty. For complete warranty, click here: 



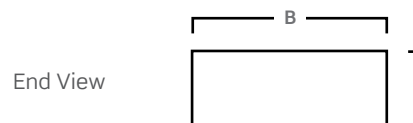
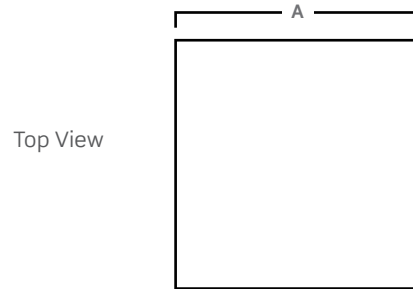
Approvals

- Approved to CSA/UL standards.
- Suitable for damp locations.
- DesignLights Consortium® Qualified.

All configurations may not be DLC qualified. Check www.designlights.org/QPL for qualified configurations.



Dimensions



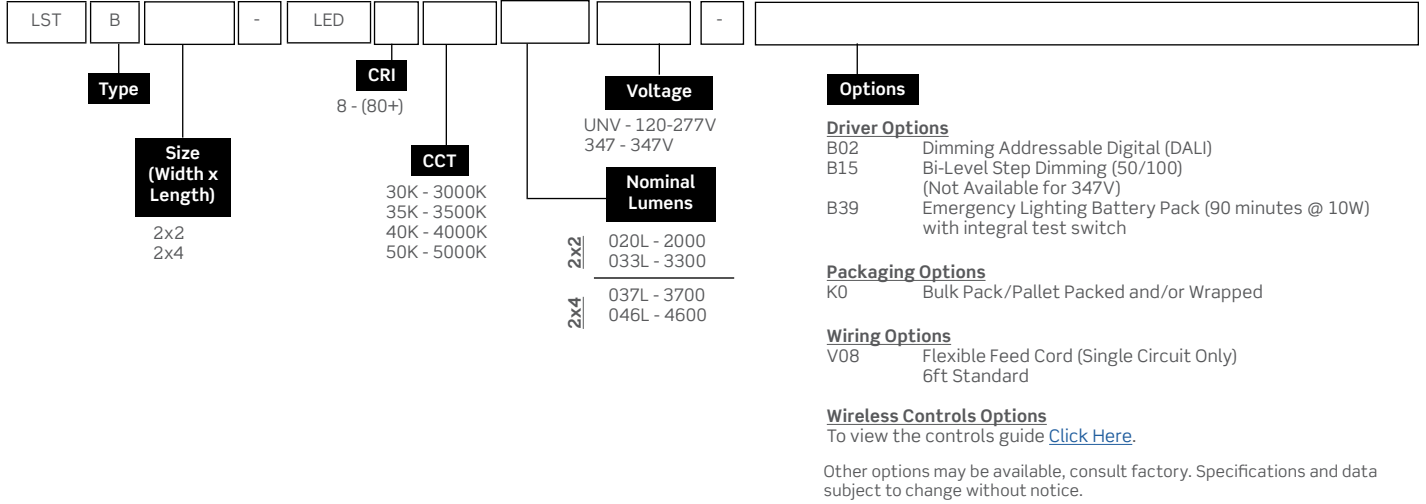
Size	A	B	C
2x2	23 3/4"	23 3/4"	3 3/16"
2x4	47 3/4"	23 3/4"	3 3/16"

Consult installation guide for exact dimensions.

Project:	Catalogue #:	Type:
Notes:		

Order Key

EXAMPLE: LSTB2x2-LED835K033LUNV



Performance Data

LED Performance Data				
Size	Nominal Lumens	Delivered Lumens	Watts	Lumens Per Watt
2x2	2000	2009	13.4	149.9
	3300	3305	23	143.7
2x4	3700	3731	24.8	150.5
	4600	4625	31.2	148.5

Values based on 840K with standard lens at 25C

Mounted Accessories (Ordered Separately)

- KIT00001 Chain Set (2) 4ft w/ S-hooks.M10
- KIT00004 Aircraft "Y" Cable (10ft) with Adjustable Grip (2).M36
- KIT00018 S-Hooks Only (set of 4) for C/S Chain.M45
- KIT00022 Chain Set (2) 3ft w/ S-hooks.M10
- KIT00040 Chain Set (2) 6ft w/ S-hooks.M10
- KIT00042 Chain Set (2) 12ft w/ S-hooks.M10