

Project:	Catalogue:	Type:
Notes:		

### Product Description

Premium-grade recessed, lay-in coffered T-Bar troffer blending a classic design and modern technology. Inspired by traditional fluorescent fixtures, this timeless design has been revitalized with advanced LED technology. It delivers exceptional visual comfort and true indirect dual side-illumination, ensuring superior low-angle glare control. The LRTS troffer is IC-rated and comes standard with 0-10v dimming, offering versatile lighting solutions that enhance any application.

### Applications

Office Areas, Retail Stores, Classrooms, Corridor, Healthcare



### Features

- Indirect illumination
- Ideal for shallow or obstructed plenum applications
- 2x2, 1x4 & 2x4 configuration
- Standard low voltage dimming (0-10v) 1%
- For use in insulated ceilings

### Featured Options

- Emergency lighting battery pack
- Flexible metal whip

### Optical System

Dual illumination concealed behind side trims and precision formed single-curve reflector provide soft, low-glare indirect illumination while maintaining high-efficiency and a wide uniform light distribution.

### Mounting

This luminaire has been specifically designed for T-Bar applications. Holes provided for chain-mounting support to building structure with integral earthquake clips.

### Construction

Die-formed, cold rolled heavy-gauge steel housing assembly. Precision-formed steel reflector. Wiring access plates and knockouts are provided on back of housing.

### Finish

Polyester powder painted matte white finish is standard.

### Electrical

Long life LEDs coupled with high efficiency drivers provide quality illumination. Rated to deliver L80 performance > 50,000 hours at > 105 lumens/watt.

### Warranty

5 year limited warranty. For complete warranty, click here:

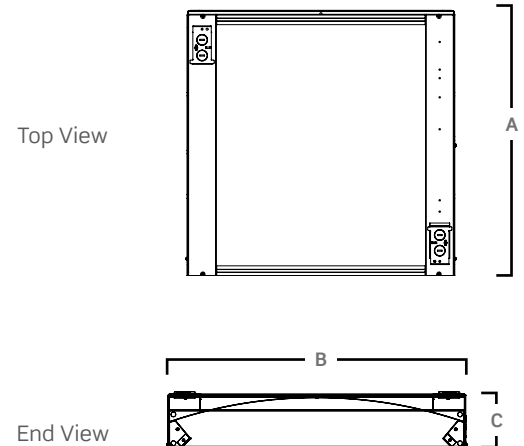


### Approvals

- Approved to CSA and UL standards.
- Suitable for damp locations.
- UL listed for insulated ceilings.



### Dimensions



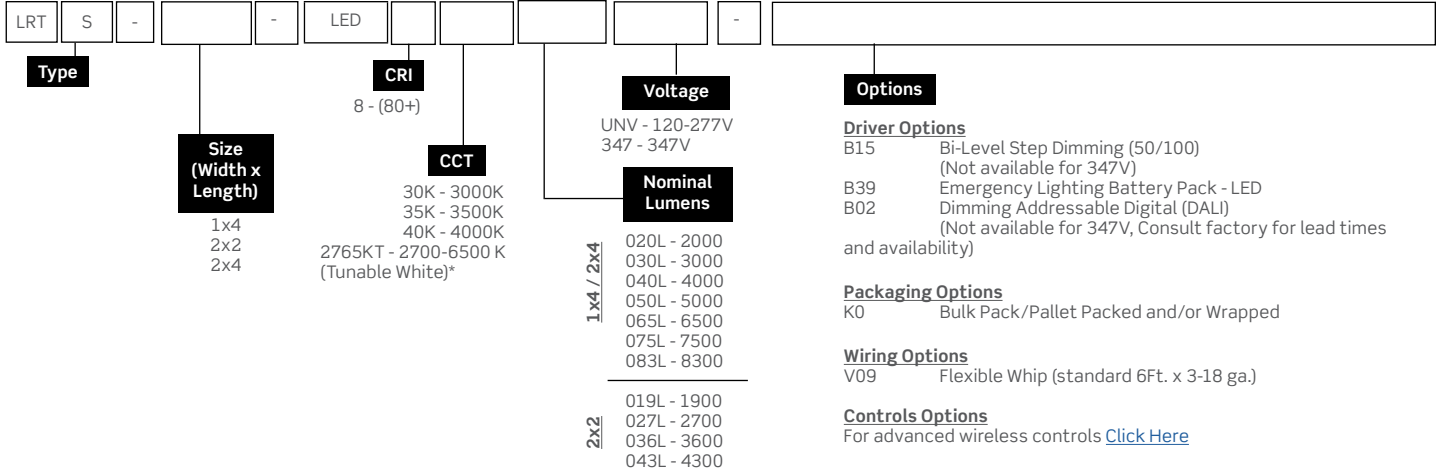
Size	A	B	C
1x4	47.75"	11.75"	4.25"
2x2	23.75"	23.75"	4.25"
2x4	47.75"	23.75"	4.25"

Consult installation guide for exact dimensions.

Project:	Catalogue:	Type:
Notes:		

### Order Key

#### EXAMPLE: LRTS-C932X2-LED840K024LUNV



\* When Selecting 2765KT, if a tunable white-compatible control is not selected the luminaire will come standards with two sets of 0-10V wires for dimming and color tuning (see tunable white diagram for details). For compatible control options please consult factory.

Other options may be available, consult factory. Specifications and data subject to change without notice.

### Performance Data

LED Performance Data				
Size	Nominal Lumens	Delivered Lumens	Watts	Lumens Per Watt
1x4 2x4	2000	2129	19.6	108.6
	3000	3113	29.4	105.9
	4000	4081	39.4	103.6
	5000	5032	49.7	101.2
	6500	6554	73.2	89.5
	7500	7491	84.9	88.2
	8300	8331	95.8	87.0
2x2	1900	1934	22.5	86.0
	2700	2748	33.2	82.8
	3600	3670	44.2	83.0
	4300	4381	54	81.1

Values based on 840K with standard lens at 25C

### Performance Scaling Factor

	50K	40K	35K	30K
80CRI	1.000	1.000	0.960	0.946
90CRI	0.875	0.875	0.836	0.809

### Lifetime Expectancy

	Calculated Hours	Reported Hours
L70	≥ 238,000	> 60,000
L80	≥ 149,000	> 60,000
L90	≥ 71,000	> 60,000

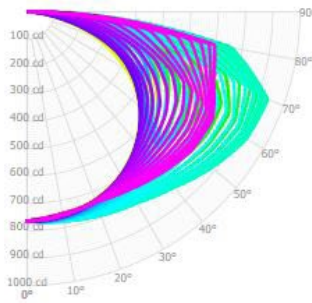
Surface Kits (Ordered Separately)	
Size (Width x Length)	Item No.
1x4	KIT00373
2x2	KIT00374
2x4	KIT00375

Flange Kits (Ordered Separately)	
Size (Width x Length)	Item No.
1x4	KIT00136
2x2	KIT00137
2x4	KIT00138

Project:	Catalogue:	Type:
Notes:		

**Photometrics**

IES File: **LRTS2X2-LED840K036LUNV**  
 Lumens: **N/A**  
 Wattage: **47**  
 Efficacy: **77**



**Zonal Lumen Summary**

Zone	Lumens	%Fixture
0.0° - 30.0°	631	17.5%
0.0° - 40.0°	1087	30.2%
0.0° - 60.0°	2238	62.1%
0.0° - 90.0°	3603	100.0%

**Average Luminance Table (cd/m<sup>2</sup>)**  
**CP Summary**

	0.00°	45.00°	90.00°
0.00°	2121	2121	2121
45.00°	3043	2657	2301
55.00°	3796	3157	2384
65.00°	4967	3891	2539
75.00°	7675	4787	2708
85.00°	11341	7087	1133

**Coefficients of Utilization**

Values are lumens delivered to the workplane from a single luminaire

pc	80%				70%				50%				30%				10%				0%			
	70%	50%	30%	10%	70%	50%	30%	10%	50%	30%	10%	50%	30%	10%	50%	30%	10%	50%	30%	10%	0%			
pw	4289	4289	4289	4289	4189	4189	4189	4189	4003	4003	4003	3833	3833	3833	3676	3676	3676	3603	3603	3603	3603	3603		
0	3784	3555	3349	3164	3678	3469	3281	3111	3310	3153	3010	3163	3034	2915	3028	2924	2826	2741	2741	2741	2741	2741		
1	3363	2991	2683	2424	3259	2919	2634	2393	2783	2542	2334	2658	2455	2277	2542	2374	2223	2134	2134	2134	2134	2134		
2	3017	2559	2204	1922	2918	2498	2168	1903	2383	2099	1865	2277	2034	1830	2179	1972	1795	1704	1704	1704	1704	1704		
3	2731	2224	1853	1569	2640	2173	1826	1557	2076	1773	1532	1986	1722	1508	1903	1674	1485	1396	1396	1396	1396	1396		
4	2491	1959	1587	1313	2408	1916	1566	1304	1834	1525	1287	1758	1485	1271	1687	1447	1255	1168	1168	1168	1168	1168		
5	2287	1745	1381	1120	2211	1708	1364	1114	1639	1331	1102	1574	1299	1090	1513	1269	1078	995	995	995	995	995		
6	2111	1569	1217	970	2043	1537	1203	966	1478	1177	957	1423	1151	948	1371	1126	939	860	860	860	860	860		
7	1958	1422	1084	852	1897	1395	1073	849	1345	1051	842	1297	1030	835	1252	1010	829	753	753	753	753	753		
8	1825	1298	975	757	1770	1275	966	754	1232	948	749	1191	930	744	1152	914	739	667	667	667	667	667		
9	1708	1192	884	679	1658	1173	876	677	1135	861	672	1099	847	668	1066	833	664	596	596	596	596	596		
10																								

Effective Floor Cavity Reflectance: 20%

**Tunable White\***

When Selecting 2765KT, if a tunable white-compatible control is not selected the luminaire will come standard with two sets of 0-10V wires for dimming and color tuning. For compatible control options please consult factory.

Dim and CCT control wire colors are subject to change without notice. All control wires are marked per the parentheses.

