

# LMEZ 3 Square - Ceiling & Wall

LED - 3" Direct Architectural Linear

Project:	Catalogue:	Type:
Notes:		

## Product Description

The LMEZ 3 Square is a premium-grade, LED luminaire designed for indoor applications where continuous linear lighting is desired. This luminaire provides general illumination in both the horizontal and vertical planes and is suitable for individual surface or continuous rows. The LMEZ 3 Square offers simple elegance, uniform illumination, and visual comfort for office, retail, grocery, education, aisle, hospitality applications, and more.

## Applications

Classrooms, Libraries, Office Areas, Retail Stores and Supermarkets

## Features

- Square profile (3" x 3")
- Lay-in frosted acrylic diffuser
- Standard low voltage dimming (0-10v) 1%
- Suitable for damp locations

## Featured Options

- Available in lengths from 24 to 96 inches
- High Lumen Output (1500 Lumens/FT)
- Tunable white (2700 - 6500K)
- Stand-alone or Continuous Configurations
- Straight Blade Louvers
- Emergency lighting battery pack
- 80+ and 90+ CRI

## Optical System

Standard lay-in frosted diffuser offers high levels of efficiency and visual comfort. Consult order key for additional lens and lay-in straight blade louver options.

## Mounting

For ceiling surface configurations, the housing is directly fastened to the ceiling surface. The setup includes a 2-piece junction box cover for a clean finish. For wall configurations, a secure wall bracket is included. The fixture is then affixed securely to the bracket. See the installation instructions for more detailed information regarding installation.

## Construction

Die-formed and spot-welded, code gauge steel housing assembly.

## Finish

Standard matte white, polyester powder painted housing. Consult order key for other finish options).

## Electrical

Long life LED's coupled with high efficiency drivers provide quality illumination. Rated to deliver L80 performance >60,000 hours.

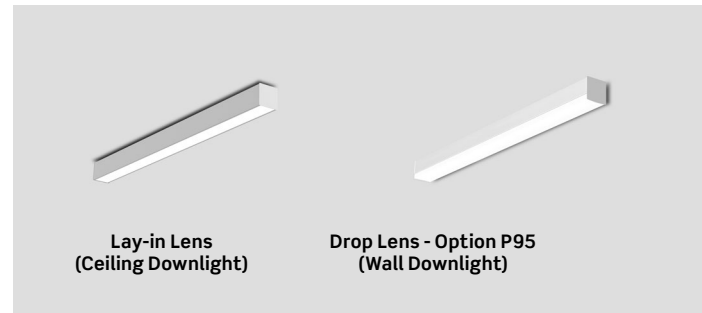
## Warranty

5 year limited warranty. For complete warranty, click here: 

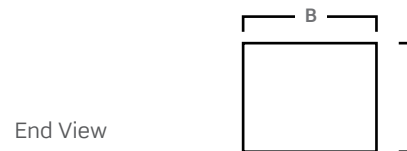
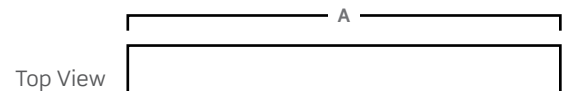


## Approvals

- ETL Listed.
- Suitable for Damp Location



## Dimensions



Size	A	B	C
24	22 1/4"	3"	3"
48	44 3/8"		
72	66 1/2"		
96	88 5/8"		

View page 3 for mounting option dimensions. Consult installation guide for exact dimensions.

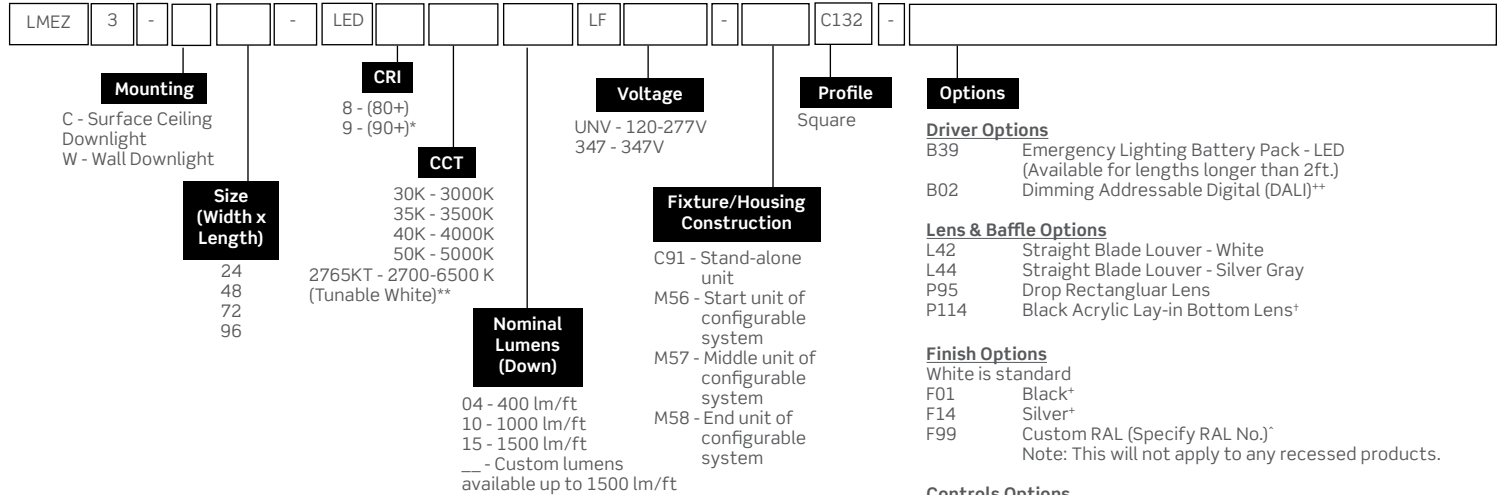
# LMEZ 3 Square - Ceiling & Wall

LED - 3" Direct Architectural Linear

Project:	Catalogue:	Type:
Notes:		

## Order Key

**EXAMPLE: LMEZ3-C48-LED835K04LFUNV-L42**



### Controls Options

For advanced wireless controls [Click Here](#).

\*90+ CRI reduces lumen output by 20%. Consult factory for lead times and availability.

\*\* When Selecting 2765KT, if a tunable white-compatible control is not selected the luminaire will come standard with two sets of 0-10V wires for dimming and color tuning (see tunable white diagram for details). For compatible control options please consult factory.

\*\*Consult factory for availability and lead times.

\*Black (F01) reduces lumen output by 40%. Silver Gray (F14) reduces lumen output by 20%. Consult factory for higher lumen options. Black Acrylic Bottom Lens (P114) reduces lumen output by 75%.

^ Minimum order quantity may apply. Consult factory.

Other options may be available, consult factory. Specifications and data subject to change without notice.

## Performance Data - Standard Lay-in Lens

Size	Nominal lm per Foot Down	Total Delivered lm Down	Total Watts	lm/W
24"	400	835	7.3	113.7
	1000	2034	18.8	107.9
48"	400	1670	14.7	113.7
	1000	4040	48.3	84
96"	400	3230	28.3	114
	1000	8035	76.5	107.7
	1500	12035	118.8	101.3

NOTE: Lumens and wattage based on 80CRI 4000K CCT at 25 Degrees Celsius

## Performance Data - Drop Lens (P95)

Size	Nominal Lumens	Delivered Lumens	Watts	Lumens per Watt
24"	400	866	6.2	139
	1000	2012	15.0	134
	1500	3020	23.7	128
48"	400	1664	11.6	143
	1000	4024	29.2	138
	1500	6040	46.3	130
72"	400	2496	17.5	143
	1000	6035	43.9	138
	1500	9061	69.4	130
96"	400	3259	22.8	143
	1000	8047	58.5	138
	1500	12081	92.6	130

# LMEZ 3 Square - Ceiling & Wall

LED - 3" Direct Architectural Linear

Project:	Catalogue:	Type:
Notes:		

## Performance Scaling Factor

	50K	40K	35K	30K
80CRI	1.000	1.000	0.960	0.946
90CRI	0.875	0.875	0.836	0.809

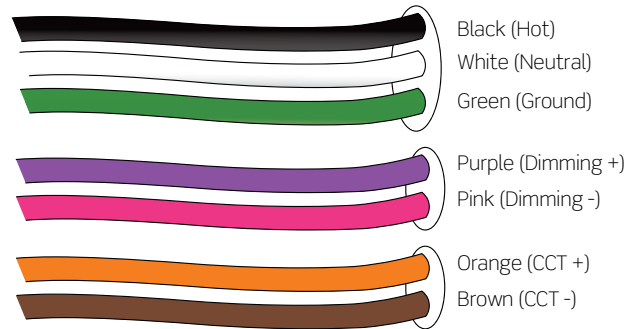
## Lifetime Expectancy

	Calculated Hours	Reported Hours
L70	≥238,000	>60,000
L80	≥149,000	>60,000
L90	≥71,000	>60,000

## Tunable White

When Selecting 2765KT, if a tunable white-compatible control is not selected the luminaire will come standard with two sets of 0-10V wires for dimming and color tuning. For compatible control options please consult factory.

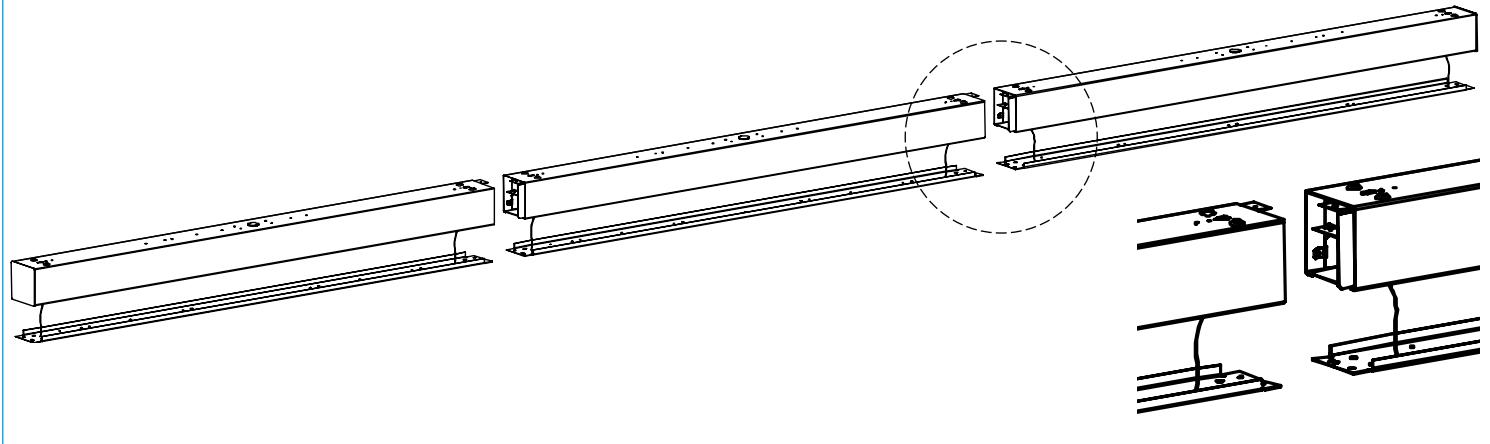
Dim and CCT control wire colors are subject to change without notice. All control wires are marked per the parentheses.



## Row mounting joiners

The LMEZ 3 SQ series features an integrated joining mechanism with three points of contact. It ensures precise alignment, secure connections, and effective light-leak control. Whether creating straight rows or continuous installations, the LMEZ 3 SQ delivers form and function.

### Row-Mounting for Standard (Lay-in) or Regressed Lens



### Row-Mounting for Drop Lens (P95)

