

LMEZ 3 Square

LED - Suspended Direct Luminaire

Project:	Catalogue #:	Type:
Notes:		

Product Description

The LMEZ 3 Square is a premium-grade, LED luminaire designed for indoor applications where continuous linear lighting is desired. This luminaire provides general illumination in both the horizontal and vertical planes and is suitable for individual suspension or continuous rows. The LMEZ 3 Square offers simple elegance, uniform illumination, and visual comfort for office, retail, grocery, education, aisle, hospitality applications, and more.

Applications

Classrooms, Libraries, Office Areas, Retail Stores and Supermarkets

Features

- Square profile (3" x 3")
- Lay-in frosted acrylic diffuser
- Standard low voltage dimming (0-10v) 1%
- Suitable for damp locations

Featured Options

- Available in lengths from 24 to 96 inches
- High Lumen Output (1500 Lumens/FT)
- Tunable white (2700 - 6500K)
- Stand-alone or Continuous Configurations
- Straight Blade Louvers
- Emergency lighting battery pack
- 80+ and 90+ CRI

Optical System

Standard lay-in frosted diffuser offers high levels of efficiency and visual comfort. Consult order key for additional lens and lay-in straight blade louver options.

Mounting

Adjustable aircraft cable mounting system used at each hanging location. (See page 3 for suspension configuration options - need to be ordered separately)

Construction

Die-formed and spot-welded, code gauge steel housing assembly.

Finish

Standard matte white, polyester powder painted housing. Consult order key for other finish options).

Electrical

Long life LED's coupled with high efficiency drivers provide quality illumination. Rated to deliver L80 performance >60,000 hours.

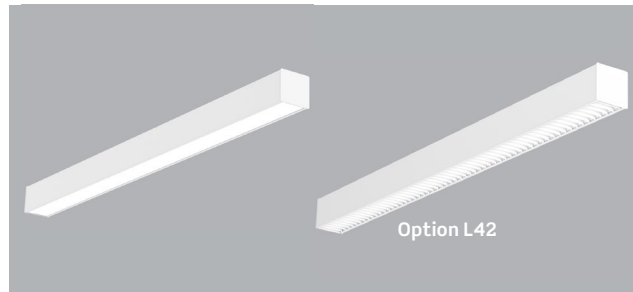
Warranty

5 year limited warranty. For complete warranty, click here:

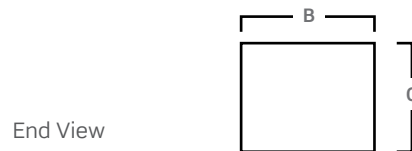
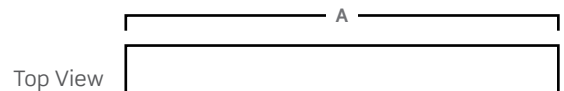


Approvals

- ETL Listed.
- Suitable for Damp Location



Dimensions



Size	A	B	C
24	22 1/4"	3"	3"
48	44 3/8"		
72	66 1/2"		
96	88 5/8"		

View page 3 for mounting option dimensions. Consult installation guide for exact dimensions.

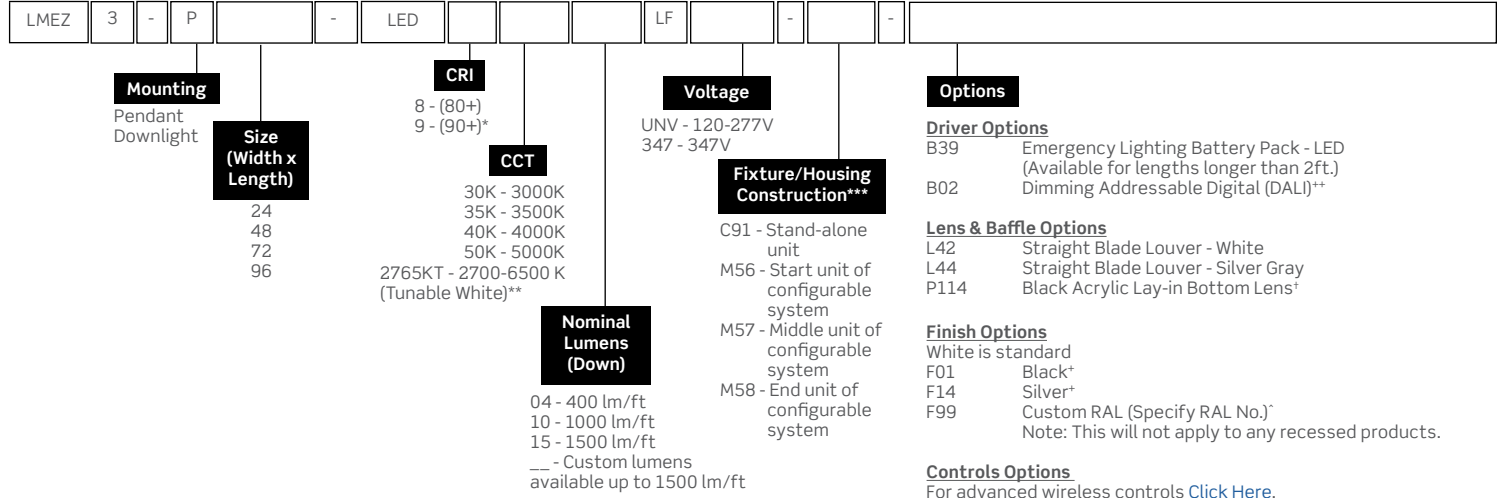
LMEZ 3 Square

LED - Suspended Direct Luminaire

Project:	Catalogue #:	Type:
Notes:		

Order Key

EXAMPLE: LMEZ3-P48-LED835K04LFUNV-L42



*90+ CRI reduces lumen output by 20%. Consult factory for lead times and availability.

** When Selecting 2765KT, if a tunable white-compatible control is not selected the luminaire will come standard with two sets of 0-10V wires for dimming and color tuning (see tunable white diagram for details). For compatible control options please consult factory.

***For all stand-alone and configurable units, power feeds, canopies & air craft cables must be ordered separately. See "How to order" section for details.

††Consult factory for availability and lead times.

†Black (F01) reduces lumen output by 40%. Silver Gray (F14) reduces lumen output by 20%. Consult factory for higher lumen options. Black Acrylic Bottom Lens (P114) reduces lumen output by 75%.

^ Minimum order quantity may apply. Consult factory.

Other options may be available, consult factory. Specifications and data subject to change without notice.

Performance Data

Size	Nominal lm per Foot Down	Total Delivered lm Down	Total Watts	lm/W
24"	400	835	7.3	113.7
	1000	2034	18.8	107.9
48"	400	1670	14.7	113.7
	1000	4040	48.3	84
	1500	6017	59.4	101.3
96"	400	3230	28.3	114
	1000	8035	76.5	107.7
	1500	12035	118.8	101.3

NOTE: Lumens and wattage based on 80CRI 4000K CCT at 25 Degrees Celsius

Performance Scaling Factor

	50K	40K	35K	30K
80CRI	1.000	1.000	0.960	0.946
90CRI	0.875	0.875	0.836	0.809

Lifetime Expectancy

	Calculated Hours	Reported Hours
L70	≥238,000	>60,000
L80	≥149,000	>60,000
L90	≥71,000	>60,000

LMEZ 3 Square

LED - Suspended Direct Luminaire

Project:	Catalogue #:	Type:
Notes:		

How to Order configurable system

Step 1) Select desired unit from order key above

Part #	Description
C91	Stand-alone unit
M56	Start Unit
M57	Middle Unit
M58	End Unit

Step 2) Select suspension kit(s) and power feed(s) ‡

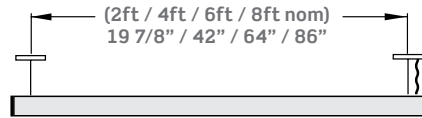
Part#	Description
KIT00292 (White) KIT00237 (Black)	48" Aircraft Cable & Canopy
KIT00293 (White) KIT00238 (Black)	5-Wire 18ga UNV Power Supply with 48" Aircraft Cable & Canopy
KIT00230 (White) KIT00253 (Black)*	6-Wire UNV Power Feed with 48" Air Craft Cable & Canopy (Emergency)
KIT00294 (White)	3-Wire 347V Power Feed with 48" Air Craft Cable & Canopy (Non-dimmable)
KIT00295 (White)	5-Wire 347V Power Feed with 48" Air Craft Cable & Canopy

‡One power feed is recommended for every 75 feet based on 1000 lumens per foot unit on 120V 15A current. For other suspension kit lengths, please consult factory.

Popular Configurations

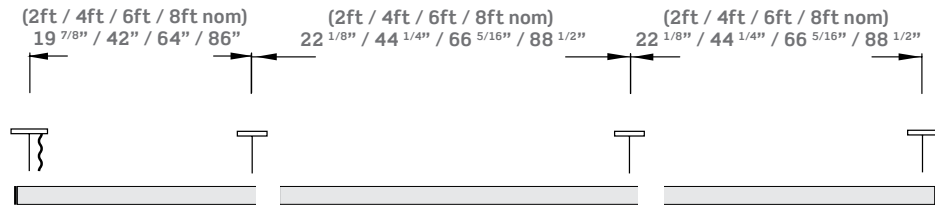
Stand-alone (UNV)

Part #	Description	Qty.
C91 Unit		1
KIT00292		1
KIT00293		1



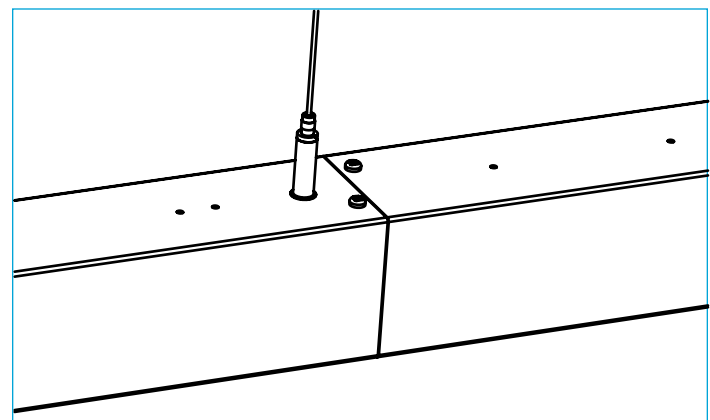
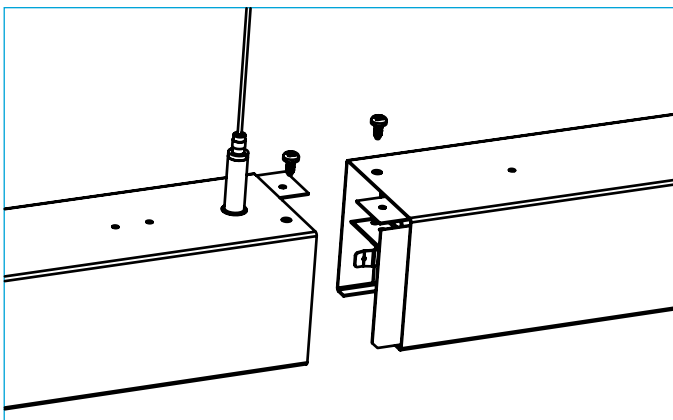
Row mount (UNV)

Part #	Description	Qty.
M56 Unit		1
M57 Unit		1
M58 Unit		1
KIT00292		3
KIT00293		1



Row mounting joiners

The LMEZ 3 series features an integrated joining mechanism with three points of contact. It ensures precise alignment, secure connections, and effective light-leak control. Whether creating straight rows or continuous installations, the LMEZ 3 delivers form and function.



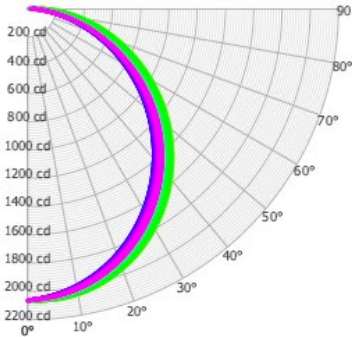
LMEZ 3 Square

LED - Suspended Direct Luminaire

Project:	Catalogue #:	Type:
Notes:		

Photometrics

IES File: **LMEZ3-P48-LED840K15LFUNV-C91**
 Lumens: **6035**
 Wattage: **60**
 Efficacy: **101**



Zonal Lumen Summary

Zone	Lumens	%Lamp	%Fixture
0.0° - 30.0°	1591	-79,554.0%	26.4%
0.0° - 40.0°	2598	-129,905.8%	43.1%
0.0° - 60.0°	4583	-229,158.9%	75.9%
0.0° - 90.0°	5915	-295,744.3%	98.0%

Coefficients of Utilization

pc	80%			70%			50%			
	pw	70%	50%	30%	70%	50%	30%	70%	50%	30%
0	119	119	119	116	116	116	110	110	110	
1	108	103	98	105	100	96	99	96	92	
2	98	89	82	95	87	81	90	83	78	
3	89	78	70	86	77	69	82	73	67	
4	82	69	60	79	68	60	75	65	58	
5	75	62	53	73	61	52	69	58	51	
6	69	56	47	67	55	46	63	53	45	
7	64	51	42	62	50	41	59	48	40	
8	60	46	38	58	45	37	55	44	36	
9	56	42	34	54	42	34	51	40	33	
10	52	39	31	51	38	31	48	37	30	

Average Luminance Table (cd/m2) CP Summary

	0.00°	45.00°	90.00°
0.00°	23957	23957	23957
45.00°	22273	23395	23782
55.00°	21377	23009	23578
65.00°	19697	22643	23517
75.00°	16824	22616	24208
85.00°	6828	27144	32015

Effective Floor Cavity Reflectance: 20%

Tunable White

When Selecting 2765KT, if a tunable white-compatible control is not selected the luminaire will come standard with two sets of 0-10V wires for dimming and color tuning. For compatible control options please consult factory.

Dim and CCT control wire colors are subject to change without notice. All control wires are marked per the parentheses.

