

LMEZ 3 - Ceiling & Wall

LED - 3" Direct Architectural Linear

Project:	Catalogue:	Type:
Notes:		

Product Description

Premium-grade, LED modular linear lighting luminaire. For use with indoor applications where continuous direct linear lighting is desired. This luminaire is suitable for surface mount (ceiling or wall) individually or in continuous rows offers visual comfort for new-construction indoor architectural and retail applications.

Applications

Classrooms, Libraries, Office Areas, Retail Stores and Supermarkets



Features

- Lay-in frosted acrylic diffuser
- 3" width
- Standard low voltage dimming (0-10v) 1%
- Suitable for damp locations

Featured Options

- Available in lengths from 24 to 96 inches
- High Lumen Output (1500 Lumens/FT)
- Tunable white (2700 - 6500K)
- Stand-alone or Continuous Configurations
- Straight Blade Louvers
- Emergency lighting battery pack
- 80+ and 90+ CRI

Optical System

Standard lay-in frosted diffuser offer high levels of efficiency and visual comfort.

Mounting

For ceiling surface configurations, the housing is directly fastened to the ceiling surface. The setup includes a 2-piece junction box cover for a clean finish. For wall configurations, a secure wall bracket is included. The fixture is then affixed securely to the bracket. See the installation instructions for more detailed information regarding installation.

Construction

Die-formed and spot-welded, code gauge steel housing assembly.

Finish

White, polyester powder painted housing.

Electrical

Long life LED's coupled with high efficiency drivers provide quality illumination. Rated to deliver L80 performance >60,000 hours.

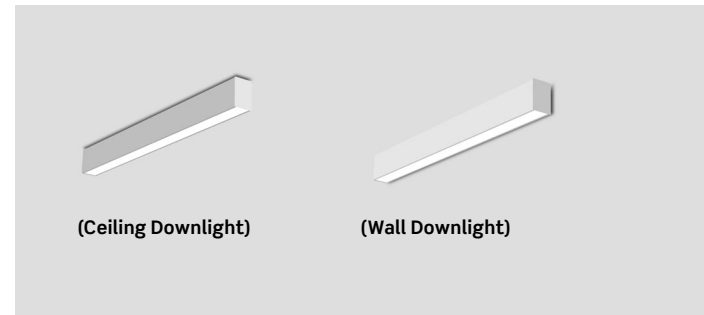
Warranty

5 year limited warranty. For complete warranty, click here:

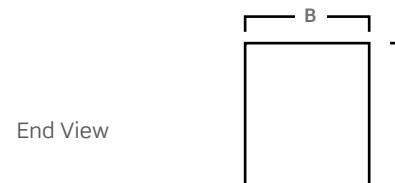
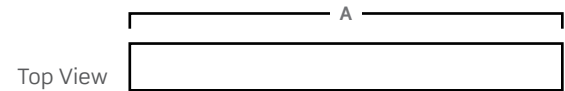


Approvals

- ETL Listed.
- Suitable for Damp Location



Dimensions



Size	A	B	C
24	22 1/4"	3"	4 1/2"
48	44 3/8"		
72	66 1/2"		
96	88 5/8"		

Consult installation guide for exact dimensions.

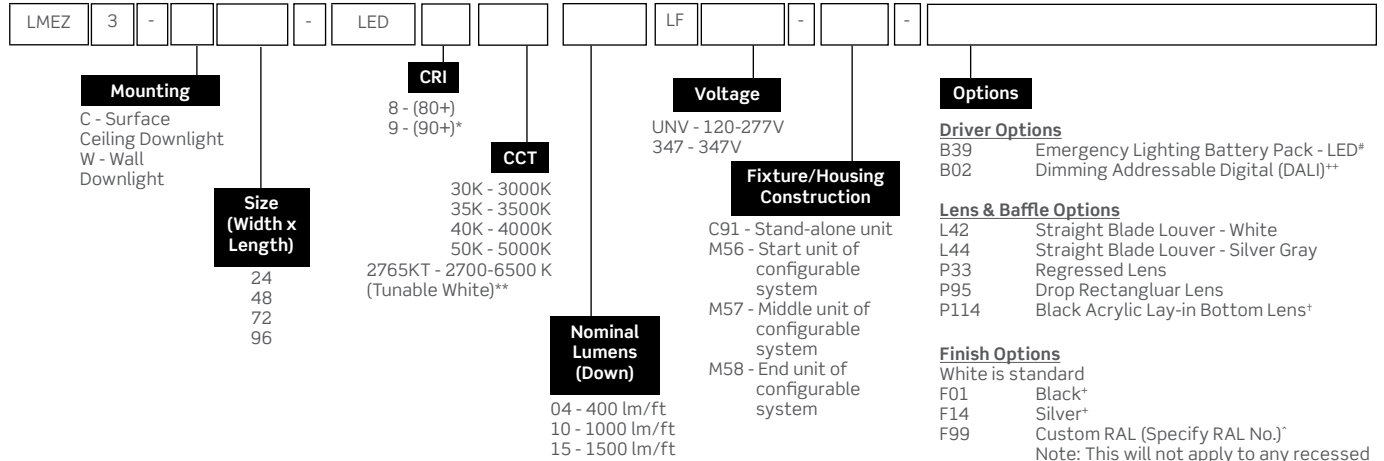
LMEZ 3 - Ceiling & Wall

LED - 3" Direct Architectural Linear

Project:	Catalogue:	Type:
Notes:		

Order Key

EXAMPLE: LMEZ3-C48-LED835K04LFUNV-C91L42



Controls Options

For advanced wireless controls [Click Here](#).

Performance Scaling Factor

	50K	40K	35K	30K
80CRI	1.000	1.000	0.960	0.946
90CRI	0.875	0.875	0.836	0.809

*90+ CRI reduces lumen output by 20%, Consult factory for lead times and availability.

** When Selecting 2765KT, if a tunable white-compatible control is not selected the luminaire will come standard with two sets of 0-10V wires for dimming and color tuning (see tunable white diagram for details). For compatible control options please consult factory.

Not available with 2' units. Consult factory for 48' unit compatibility

**Consult factory for availability and lead times.

*Black (F01) reduces lumen output by 40%. Silver Gray (F14) reduces lumen output by 20%. Consult factory for higher lumen options. Black Acrylic Bottom Lens (P114) reduces lumen output by 75%.

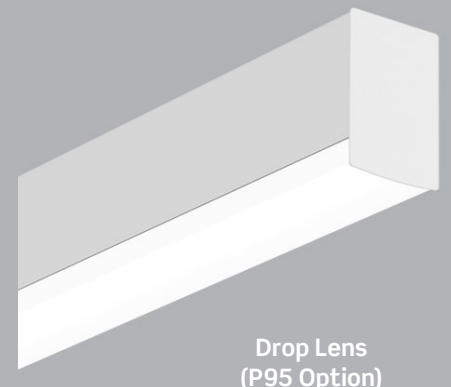
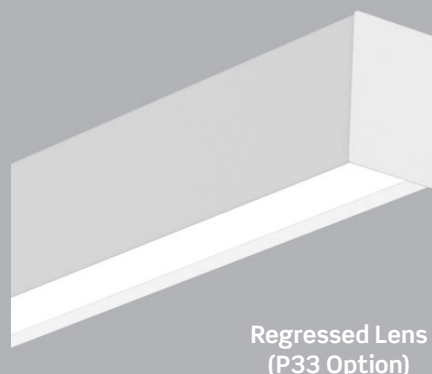
^ Minimum order quantity may apply. Consult factory.

Other options may be available, consult factory. Specifications and data subject to change without notice.

Lifetime Expectancy

	Calculated Hours	Reported Hours
L70	≥238,000	>60,000
L80	≥149,000	>60,000
L90	≥71,000	>60,000

Lens Options



LMEZ 3 - Ceiling & Wall

LED - 3" Direct Architectural Linear

Project:	Catalogue:	Type:
Notes:		

Performance Data for Standard (Lay-in) Lens and Regressed Lens (P33)

Size	Nominal lm per Foot Down	Total Delivered lm down	Total lm	Total W	lm/W
24"	400	847	847	7.3	116
	1000	2063	2063	18.8	110
	1500	3052	3052	29.7	103
48"	400	1611	1611	13.9	116
	1000	4127	4127	37.7	109
	1500	6009	6009	58.3	103
72"	400	2458	2458	21.2	116
	1000	6190	6190	56.5	110
	1500	9061	9061	88	103
96"	400	3222	3222	27.8	116
	1000	8254	8254	75.4	109
	1500	12018	12018	116.6	103

Performance Data for Drop Lens (P95)

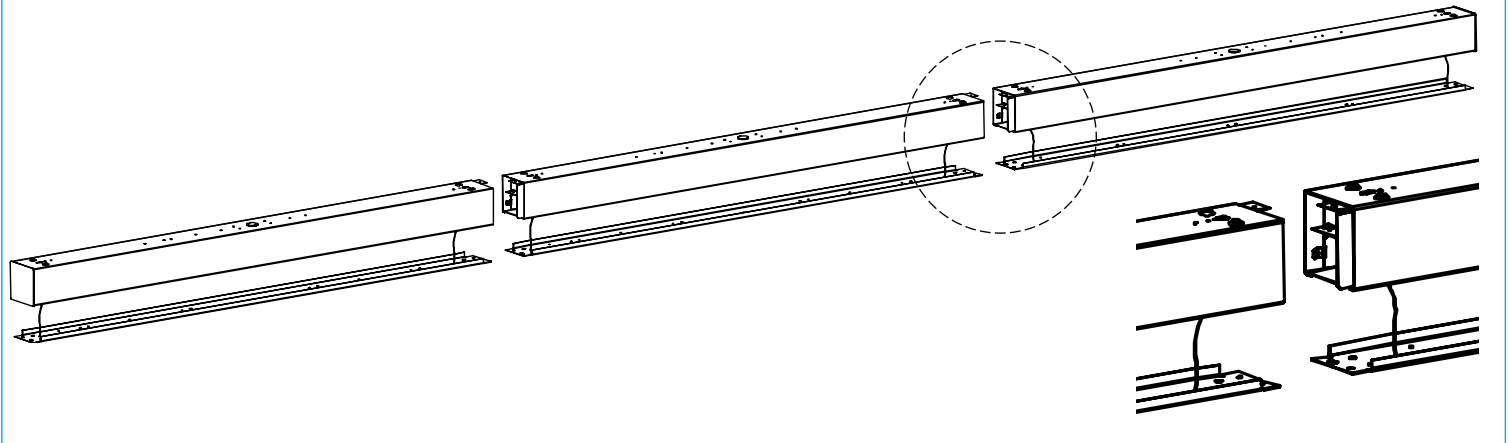
Size	Nominal lm per Foot Down	Total Delivered lm down	Total lm	Total W	lm/W
24"	400	866	866	6.2	139
	1000	2012	2012	15.0	134
	1500	3020	3020	23.7	128
48"	400	1664	1664	11.6	143
	1000	4024	4024	29.2	138
	1500	6040	6040	46.3	130
72"	400	2496	2496	17.5	143
	1000	6035	6035	43.9	138
	1500	9061	9061	69.4	130
96"	400	3259	3259	22.8	143
	1000	8047	8047	58.5	138
	1500	12081	12081	92.6	130

NOTE: Lumens and wattage based on 80CRI 4000K CCT at 25 Degrees Celsius

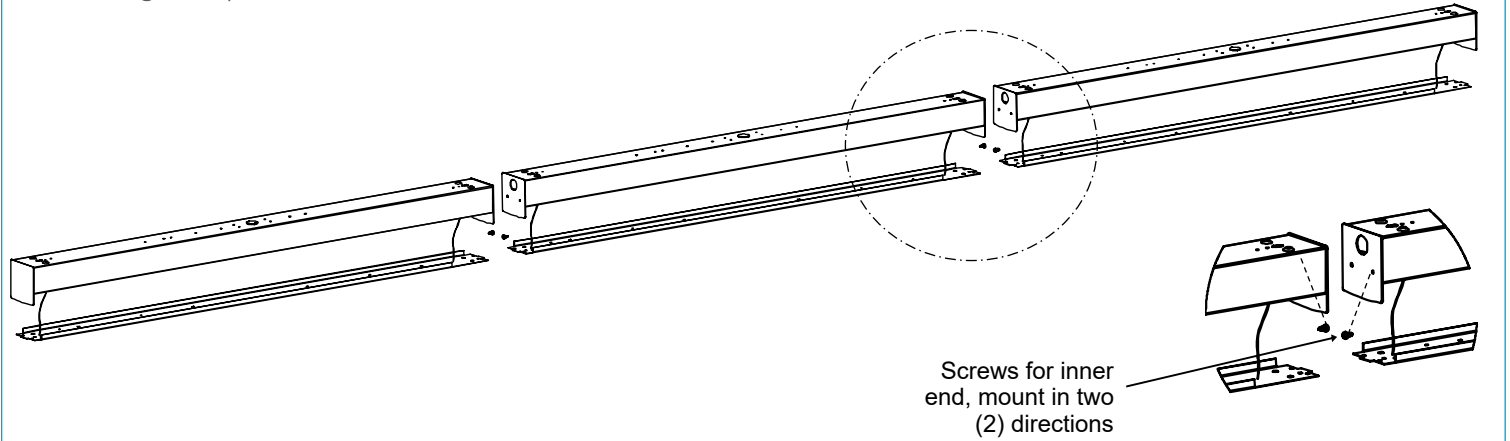
Row mounting joiners

The LMEZ 3 series features an integrated joining mechanism with three points of contact. It ensures precise alignment, secure connections, and effective light-leak control. Whether creating straight rows or continuous installations, the LMEZ 3 delivers form and function.

Row-Mounting for Standard (Lay-in) or Regressed Lens (P33)



Row-Mounting for Drop Lens (P95)



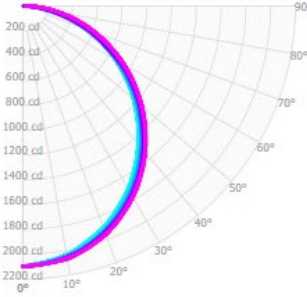
LMEZ 3 - Ceiling & Wall

LED - 3" Direct Architectural Linear

Project:	Catalogue:	Type:
Notes:		

Photometrics

IES File: **LMEZ3-C48-LED840K15LFUNV**
 Lumens: **N/A**
 Wattage: **58.3**
 Efficacy: **103**



Zonal Lumen Summary

Zone	Lumens	%Fixture
0.0° - 30.0°	1611	26.8%
0.0° - 40.0°	2627	43.7%
0.0° - 60.0°	4622	76.9%
0.0° - 90.0°	5949	99.0%

Average Luminance Table (cd/m2) CP Summary

	0.00°	45.00°	90.00°
0.00°	23546	23546	23546
45.00°	22186	21895	21856
55.00°	21505	21117	20979
65.00°	20726	20280	19482
75.00°	19946	19340	16948
85.00°	21052	19094	8602

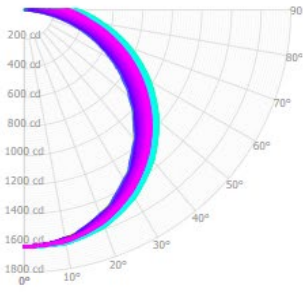
Coefficients of Utilization

Values are lumens delivered to the workplane from a single luminaire

pc	80%				70%				50%				30%				10%				0%			
	70%	50%	30%	10%	70%	50%	30%	10%	50%	30%	10%	50%	30%	10%	50%	30%	10%	50%	30%	10%	0%			
pw	70%	50%	30%	10%	70%	50%	30%	10%	50%	30%	10%	50%	30%	10%	50%	30%	10%	50%	30%	10%	0%			
0	7139	7139	7139	7139	6966	6966	6966	6966	6643	6643	6643	6347	6347	6347	6076	6076	6076	5949	5949	5949	5949			
1	6498	6201	5935	5696	6327	6058	5816	5597	5791	5591	5409	5545	5382	5232	5318	5187	5065	4934	4934	4934	4934			
2	5899	5392	4973	4622	5733	5273	4888	4561	5048	4724	4445	4841	4571	4334	4650	4426	4227	4092	4092	4092	4092			
3	5373	4729	4230	3833	5217	4628	4166	3794	4439	4044	3718	4264	3928	3645	4102	3818	3574	3438	3438	3438	3438			
4	4917	4186	3651	3242	4773	4102	3602	3216	3942	3508	3164	3794	3418	3114	3656	3333	3065	2931	2931	2931	2931			
5	4520	3738	3192	2789	4388	3667	3154	2770	3532	3080	2734	3406	3009	2698	3288	2941	2663	2532	2532	2532	2532			
6	4174	3365	2822	2433	4054	3304	2792	2419	3189	2733	2392	3082	2676	2366	2981	2621	2340	2214	2214	2214	2214			
7	3870	3051	2520	2147	3762	2999	2495	2137	2900	2447	2117	2808	2401	2097	2721	2356	2077	1956	1956	1956	1956			
8	3603	2784	2269	1915	3505	2739	2248	1907	2655	2209	1891	2575	2171	1876	2500	2134	1860	1744	1744	1744	1744			
9	3366	2555	2058	1722	3278	2517	2041	1716	2443	2008	1704	2374	1977	1691	2309	1946	1679	1568	1568	1568	1568			
10	3156	2358	1879	1561	3076	2324	1865	1556	2260	1838	1546	2200	1811	1536	2143	1785	1526	1420	1420	1420	1420			

Effective Floor Cavity Reflectance: 20%

IES File: **LMEZ3-C48-LED840K15LFUNV-C91P95**
 Lumens: **N/A**
 Wattage: **46.3**
 Efficacy: **130**



Zonal Lumen Summary

Zone	Lumens	%Fixture
0.0° - 30.0°	1284	21.3%
0.0° - 40.0°	2124	35.2%
0.0° - 60.0°	3871	64.1%
0.0° - 90.0°	5398	89.4%

Average Luminance Table (cd/m2) CP Summary

	0.00°	45.00°	90.00°
0.00°	18958	18958	18958
45.00°	19490	15065	13203
55.00°	19908	13929	11466
65.00°	20863	12628	9329
75.00°	23653	11070	6370
85.00°	40413	9327	1802

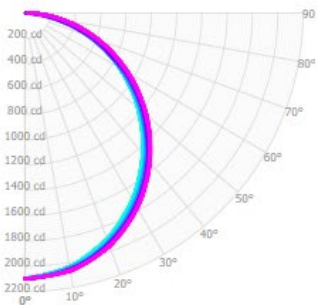
Coefficients of Utilization

Values are lumens delivered to the workplane from a single luminaire

pc	80%				70%				50%				30%				10%				0%			
	70%	50%	30%	10%	70%	50%	30%	10%	50%	30%	10%	50%	30%	10%	50%	30%	10%	50%	30%	10%	0%			
pw	70%	50%	30%	10%	70%	50%	30%	10%	50%	30%	10%	50%	30%	10%	50%	30%	10%	50%	30%	10%	0%			
0	7037	7037	7037	7037	6799	6799	6799	6799	6354	6354	6354	5947	5947	5947	5573	5573	5573	5398	5398	5398	5398			
1	6315	5984	5688	5420	6080	5782	5514	5271	5404	5186	4986	5057	4881	4719	4736	4597	4468	4292	4292	4292	4292			
2	5699	5156	4708	4331	5475	4985	4575	4228	4663	4324	4031	4366	4087	3843	4091	3865	3663	3492	3492	3492	3492			
3	5171	4494	3970	3552	4962	4348	3866	3478	4073	3667	3334	3819	3479	3194	3582	3301	3060	2895	2895	2895	2895			
4	4719	3960	3404	2979	4526	3835	3320	2923	3599	3160	2813	3381	3008	2705	3177	2862	2601	2444	2444	2444	2444			
5	4328	3522	2959	2544	4152	3415	2891	2499	3213	2760	2413	3024	2634	2328	2848	2513	2245	2095	2095	2095	2095			
6	3989	3160	2603	2204	3829	3068	2547	2168	2892	2437	2098	2729	2332	2029	2576	2231	1962	1821	1821	1821	1821			
7	3692	2856	2314	1934	3547	2776	2266	1904	2624	2174	1846	2481	2085	1790	2347	1999	1734	1600	1600	1600	1600			
8	3432	2599	2075	1714	3300	2529	2034	1690	2396	1956	1642	2271	1880	1594	2153	1806	1547	1421	1421	1421	1421			
9	3202	2379	1875	1534	3082	2318	1840	1513	2201	1773	1472	2090	1707	1432	1986	1643	1392	1273	1273	1273	1273			
10	2999	2190	1706	1384	2889	2136	1676	1366	2032	1617	1331	1935	1560	1296	1842	1505	1261	1150	1150	1150	1150			

Effective Floor Cavity Reflectance: 20%

IES File: **LMEZ3-W48-LED840K15LFUNV**
 Lumens: **N/A**
 Wattage: **58.3**
 Efficacy: **103**



Zonal Lumen Summary

Zone	Lumens	%Fixture
0.0° - 30.0°	1611	26.8%
0.0° - 40.0°	2627	43.7%
0.0° - 60.0°	4622	76.9%
0.0° - 90.0°	5949	99.0%

Average Luminance Table (cd/m2) CP Summary

	0.00°	45.00°	90.00°
0.00°	23546	23546	23546
45.00°	22186	21895	21856
55.00°	21505	21117	20979
65.00°	20726	20280	19482
75.00°	19946	19340	16948
85.00°	21052	19094	8602

Coefficients of Utilization

Values are lumens delivered to the workplane from a single luminaire

pc	80%				70%				50%				30%				10%				0%			
	70%	50%	30%	10%	70%	50%	30%	10%	50%	30%	10%	50%	30%	10%	50%	30%	10%	50%	30%	10%	0%			
pw	70%	50%	30%	10%	70%	50%	30%	10%	50%	30%	10%	50%	30%	10%	50%	30%	10%	50%	30%	10%	0%			
0	7139	7139	7139	7139	6966	6966	6966	6966	6643	6643	6643	6347	6347	6347	6076	6076	6076	5949	5949	5949	5949			
1	6498	6201	5935	5696	6327	6058	5816	5597	5791	5591	5409	5545	5382	5232	5318	5187	5065	4934	4934	4934	4934			
2	5899	5392	4973	4622	5733	5273	4888	4561	5048	4724	4445	4841	4571	4334	4650	4426	4227	4092	4092	4092	4092			
3	5373	4729	4230	3833	5217	4628	4166	3794	4439	4044	3718	4264	3928	3645	4102	3818	3574	3438	3438	3438	3438			
4	4917	4186	3651	3242	4773	4102	3602	3216	3942	3508	3164	3794	3418	3114	3656	3333	3065	2931	2931	2931	2931			
5	4520	3738	3192	2789	4388	3667	3154	2770	3532	3080	2734	3406	3009	2698	3288	2941	2663	2532	2532	2532	2532			
6	4174	3365	2822	2433	4054	3304	2792	2419	3189	2733	2392	3082	2676	2366	2981	2621	2340	2214	2214	2214	2214			
7	3870	3051	2520	2147	3762	2999	2495	2137	2900	2447	2117	2808	2401	2097	2721	2356	2077	1956	1956	1956	1956			
8	3603	2784	2269	1915	3505	2739	2248	1907	2655	2209	1891	2575	2171	1876	2500	2134	1860	1744	1744	1744	1744			
9	3366	2555	2058	1722	3278	2517	2041	1716	2443	2008	1704	2374	1977	1691	2309	1946	1679	1568	1568	1568	1568			
10	3156	2358	1879	1561	3076	2324	1865	1556	2260	1838	1546	2200	1811	1536	2143	1785	1526	1420	1420	1420	1420			

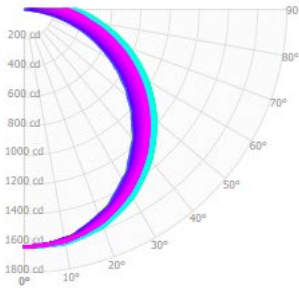
Effective Floor Cavity Reflectance: 20%

LMEZ 3 - Ceiling & Wall

LED - 3" Direct Architectural Linear

Project:	Catalogue:	Type:
Notes:		

IES File: **LMEZ3-W48-LED840K15LFUNV-C91P95**
 Lumens: **N/A**
 Wattage: **46.3**
 Efficacy: **130**



Zonal Lumen Summary

Zone	Lumens	%Fixture
0.0° - 30.0°	1284	21.3%
0.0° - 40.0°	2124	35.2%
0.0° - 60.0°	3871	64.1%
0.0° - 90.0°	5398	89.4%

Average Luminance Table (cd/m²)

	0.00°	45.00°	90.00°
0.00°	18958	18958	18958
45.00°	19490	15065	13203
55.00°	19908	13929	11466
65.00°	20863	12628	9329
75.00°	23653	11070	6370
85.00°	40413	9327	1802

Coefficients of Utilization

Values are lumens delivered to the workplane from a single luminaire

pc	80%				70%				50%				30%				10%				0%
	70%	50%	30%	10%	70%	50%	30%	10%	50%	30%	10%	50%	30%	10%	50%	30%	10%				
pw	7037	7037	7037	7037	6799	6799	6799	6799	6354	6354	6354	5947	5947	5947	5574	5574	5574	5398	0%		
0	7037	7037	7037	7037	6799	6799	6799	6799	6354	6354	6354	5947	5947	5947	5574	5574	5574	5398	0%		
1	6315	5984	5688	5421	6080	5782	5514	5271	5404	5186	4986	5057	4881	4719	4737	4598	4468	4292			
2	5700	5157	4708	4331	5475	4985	4576	4228	4663	4324	4031	4366	4087	3843	4091	3865	3663	3492			
3	5172	4494	3970	3552	4962	4348	3866	3478	4073	3668	3334	3819	3479	3194	3583	3301	3060	2895			
4	4719	3960	3404	2979	4526	3835	3321	2923	3599	3160	2813	3381	3008	2705	3177	2862	2601	2444			
5	4329	3523	2959	2544	4152	3415	2891	2499	3213	2760	2413	3024	2634	2328	2848	2513	2245	2095			
6	3989	3160	2603	2204	3829	3068	2547	2168	2892	2438	2098	2729	2332	2029	2576	2231	1962	1821			
7	3693	2856	2314	1934	3547	2776	2266	1904	2624	2174	1847	2481	2085	1790	2347	1999	1734	1600			
8	3432	2599	2075	1714	3300	2529	2034	1690	2396	1956	1642	2271	1880	1594	2153	1806	1547	1421			
9	3202	2379	1875	1534	3082	2318	1840	1513	2201	1773	1472	2091	1707	1432	1987	1644	1392	1273			
10	2999	2190	1706	1384	2889	2136	1676	1366	2032	1617	1331	1935	1560	1296	1842	1505	1261	1150			

Effective Floor Cavity Reflectance: 20%

Tunable White

When Selecting 2765KT, if a tunable white-compatible control is not selected the luminaire will come standard with two sets of 0-10V wires for dimming and color tuning. For compatible control options please consult factory.

Dim and CCT control wire colors are subject to change without notice. All control wires are marked per the parentheses.

