

LMEZ 2 - Ceiling & Wall

LED - 2" Direct Architectural Linear

Project:	Catalogue:	Type:
Notes:		

Product Description

Premium-grade linear LED luminaire designed for use in indoor applications where continuous direct linear lighting is desired. This luminaire is suitable for surface mount (ceiling or wall) individual or in continuous rows and offers visual comfort for indoor new-construction architectural and retail applications.

Applications

Classrooms, Libraries, Office Areas, Retail Stores



Features

- Lay-in frosted acrylic diffuser
- 2" width
- Standard low voltage dimming (0-10v) 1%
- Suitable for damp locations

Featured Options

- Available in lengths from 24 to 96 inches
- Lumen Output up to 1000 Lumens/FT
- Tunable white (2700 - 6500K)
- Stand-alone or continuous configurations
- Straight blade available (See ordering key)
- Emergency lighting battery pack
- 80+ and 90+ CRI

Optical System

Standard lay-in frosted diffuser offers high levels of efficiency and visual comfort. Regressed lens option available (see ordering key).

Mounting

For ceiling surface configurations, the housing is directly fastened to the ceiling surface. The setup includes a 2-piece junction box cover for a clean finish. For wall configurations, a secure wall bracket is included. The fixture is then affixed securely to the bracket. See the installation instructions for more detailed information regarding installation.

Construction

Die-formed and spot-welded, code gauge steel housing assembly.

Finish

White polyester powder painted housing standard. Other finishes available (see ordering key).

Electrical

Long life LED's coupled with high efficiency drivers provide quality illumination. Rated to deliver L80 performance > 60,000 hours.

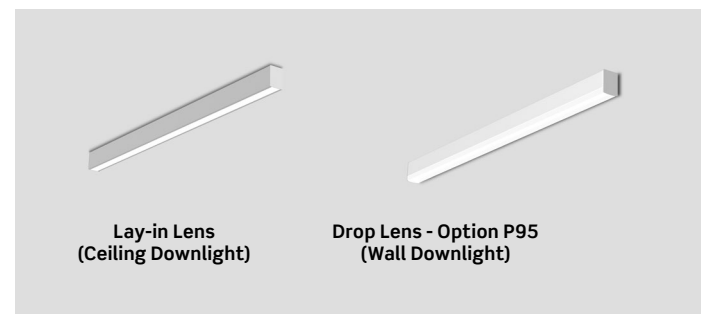
Warranty

5 year limited warranty. For complete warranty, click here:

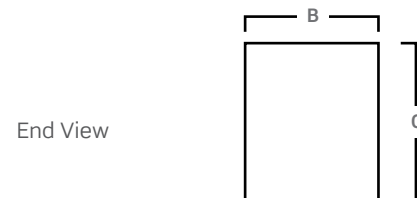
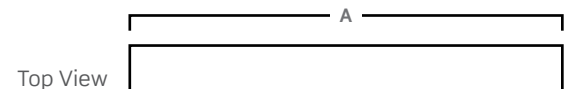


Approvals

- ETL Listed.
- Suitable for Damp Location



Dimensions



Size	A	B	C
24	22 1/4"	2"	4"
48	44 1/4"		
72	66 3/8"		
96	88 1/2"		

Consult installation guide for exact dimensions.

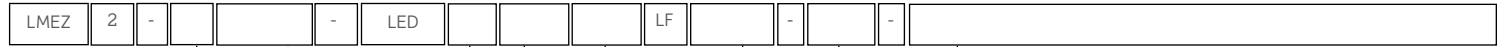
LMEZ 2 - Ceiling & Wall

LED - 2" Direct Architectural Linear

Project:	Catalogue:	Type:
Notes:		

Order Key

EXAMPLE: LMEZ2-C48-LED835K04LFUNV-C91L42



Mounting

C - Surface Ceiling Downlight
W - Wall Downlight

Size (Width x Length)

24
48
72
96

CRI

8 - (80+)
9 - (90+)*

CCT

30K - 3000K
35K - 3500K
40K - 4000K
50K - 5000K
2765KT - 2700-6500 K (Tunable White)**

Nominal Lumens

04 - 400 lm/ft
10 - 1000 lm/ft

Voltage

UNV - 120-277V
347 - 347V

Fixture/Housing Construction

C91 - Stand-alone unit
M56 - Start unit of configurable system
M57 - Middle unit of configurable system
M58 - End unit of configurable system

Options

Driver Options

B39 Emergency Lighting Battery Pack - LED (Available for lengths longer than 2ft.)
B02 Dimming Addressable Digital (DALI)**

Lens & Baffle Options

L42 Straight Blade Louver - White
L44 Straight Blade Louver - Silver Gray
P33 Regressed Lens
P95 Drop Rectangular Lens
P114 Black Acrylic Lay-in Bottom Lens*

Finish Options

White is standard
F01 Black*
F14 Silver*
F99 Custom RAL (Specify RAL No.)***
Note: This will not apply to any recessed products.

Controls Options

For advanced wireless controls [Click Here](#).

*90+ CRI reduces lumen output by 20%. Consult factory for lead times and availability.

** When Selecting 2765KT, if a tunable white-compatible control is not selected the luminaire will come standard with two sets of 0-10V wires for dimming and color tuning (see tunable white diagram for details). For compatible control options please consult factory.

*Black (F01) reduces lumen output by 40%. Silver Gray (F14) reduces lumen output by 20%. Consult factory for higher lumen options. Black Acrylic Bottom Lens (P114) reduces lumen output by 75%.

**Consult factory for availability and lead times.

***Minimum order quantity may apply. Consult factory.

Other options may be available, consult factory. Specifications and data subject to change without notice.

Performance Scaling Factor

	50K	40K	35K	30K
80CRI	1.000	1.000	0.960	0.946
90CRI	0.875	0.875	0.836	0.809

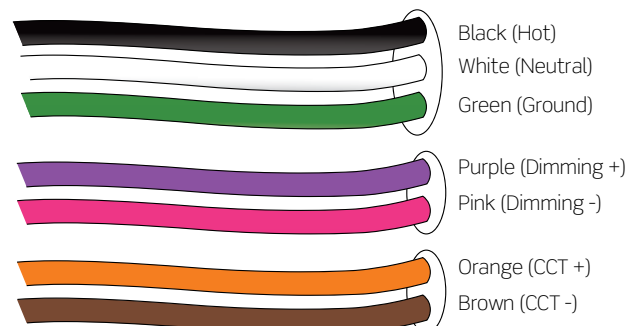
Lifetime Expectancy

	Calculated Hours	Reported Hours
L70	≥238,000	>60,000
L80	≥149,000	>60,000
L90	≥71,000	>60,000

Tunable White

When Selecting 2765KT, if a tunable white-compatible control is not selected the luminaire will come standard with two sets of 0-10V wires for dimming and color tuning. For compatible control options please consult factory.

Dim and CCT control wire colors are subject to change without notice. All control wires are marked per the parentheses.



LMEZ 2 - Ceiling & Wall

LED - 2" Direct Architectural Linear

Project:	Catalogue:	Type:
Notes:		

Performance Data for Lay-in Lens and Regressed Lens

Size	Nominal lm per Foot Down	Total Delivered lm Down	Total Watts	lm/W
24"	400	844	8.5	100
	1000	2017	22.1	91
48"	400	1633	17.2	95
	1000	4040	48.3	84
72"	400	2415	24.3	99
	1000	6026	65.3	92
96"	400	3266	24.4	134
	1000	8080	96.3	84

NOTE: Lumens and wattage based on 80CRI 4000K CCT at 25 Degrees Celsius

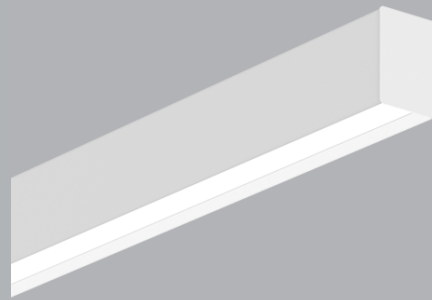
Performance Data for Drop Lens

Size	Nominal lm per Foot Down	Total Delivered lm Down	Total Watts	lm/W
24"	400	813	6.2	130.9
	600	1004	9.6	127.2
	800	1643	12.8	128
	1000	2071	16.6	125
	1500	3091	26.2	118
48"	400	1627	12.1	134.0
	600	2447	18.8	130.1
	800	3285	25.1	131.0
	1000	4142	32.4	127.9
	1500	6182	51.2	120.8
72"	400	2440	18.2	134.0
	600	3671	28.2	130.1
	800	4835	36.8	131.2
	1000	6032	47.0	128.3
	1500	9020	74.3	121.3
96"	400	3253	24.3	134.0
	600	4894	37.6	130.1
	800	6446	49.1	131.2
	1000	8043	62.7	128.3
	1500	11743	96.4	121.8

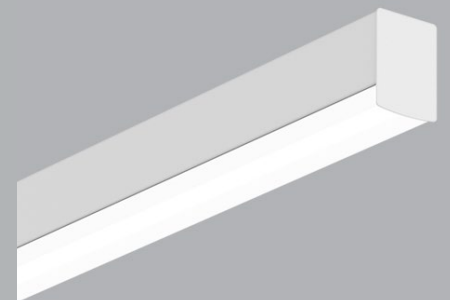
Lens Options



Lay-in Lens
(Standard)



Regressed Lens
(P33 Option)



Drop Lens
(P95 Option)

LMEZ 2 - Ceiling & Wall

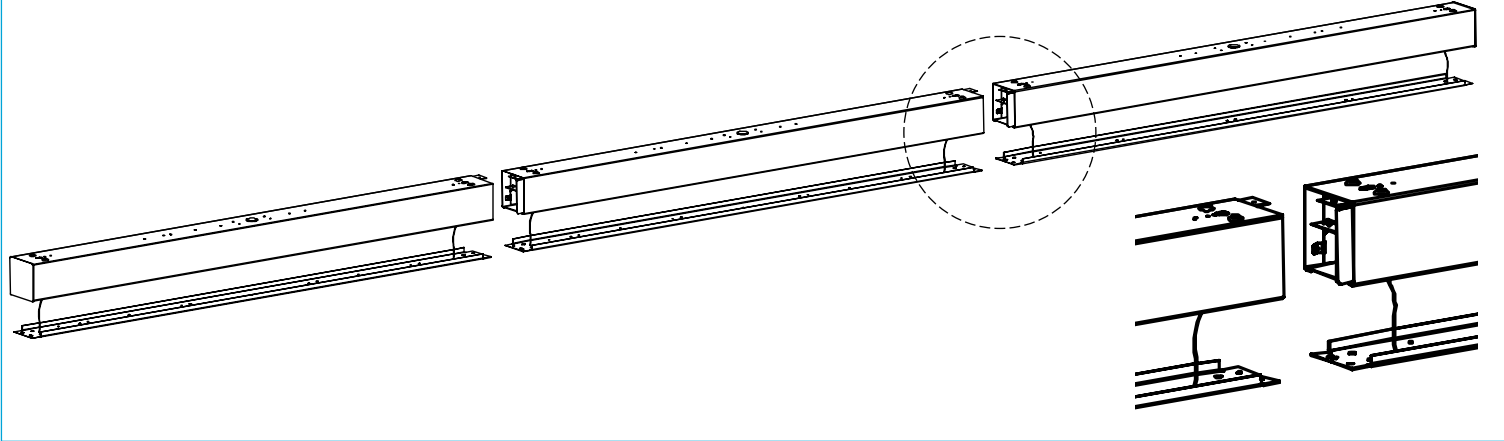
LED - 2" Direct Architectural Linear

Project:	Catalogue:	Type:
Notes:		

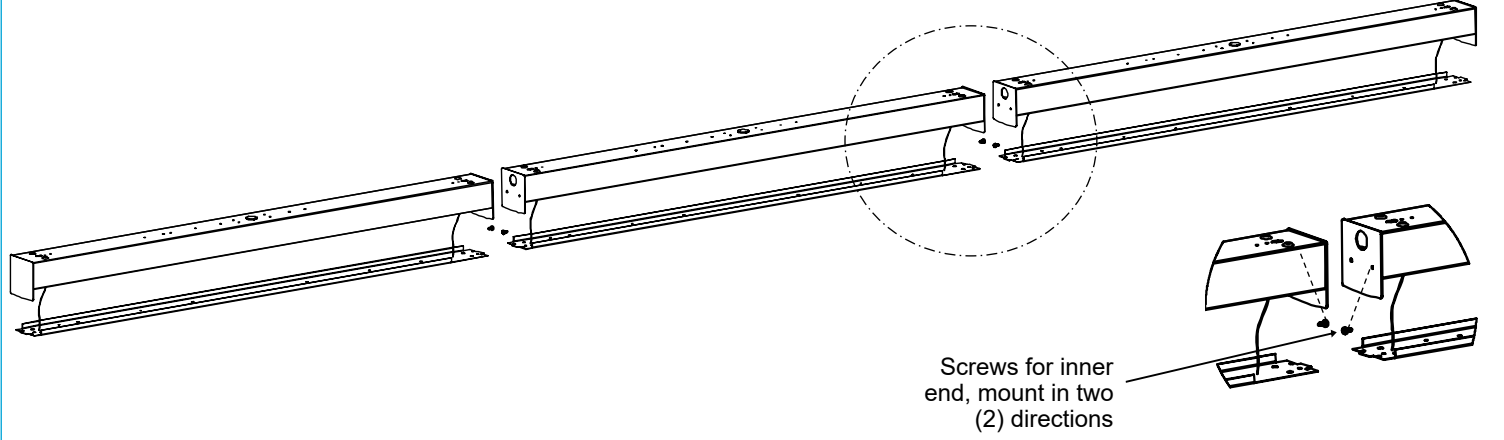
Row mounting joiners

The LMEZ 2 series features an integrated joining mechanism with three points of contact. It ensures precise alignment, secure connections, and effective light-leak control. Whether creating straight rows or continuous installations, the LMEZ 2 delivers form and function.

Row-Mounting for Standard (Lay-in) or Regressed Lens

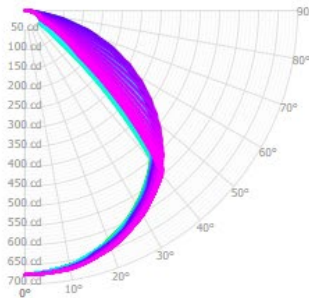


Row-Mounting for Drop Lens (P95)



Photometrics

IES File: LMEZ2-C48-LED840K04LFxxx-
P95
Lumens: N/A
Wattage: 12.1
Efficacy: 134



Zonal Lumen Summary

Zone	Lumens	%Fixture
0.0° - 30.0°	531	32.6%
0.0° - 40.0°	878	53.9%
0.0° - 60.0°	1424	87.5%
0.0° - 90.0°	1612	99.1%

Average Luminance Table (cd/m²) CP Summary

	0.00°	45.00°	90.00°
0.00°	11811	11811	11811
45.00°	8820	9456	8379
55.00°	3328	6049	7290
65.00°	1772	1769	5643
75.00°	1957	1105	3286
85.00°	1614	524	283

Coefficients of Utilization

Values are lumens delivered to the workplane from a single luminaire

pc	80%				70%				50%				30%				10%				0%
	50%	30%	10%	0%	50%	30%	10%	0%	50%	30%	10%	0%	50%	30%	10%	0%	50%	30%	10%	0%	
pw	70%	50%	30%	10%	70%	50%	30%	10%	50%	30%	10%	50%	30%	10%	50%	30%	10%	50%	30%	10%	0%
0	1933	1933	1933	1933	1886	1886	1886	1886	1799	1799	1799	1719	1719	1719	1646	1646	1646	1612	1612	1612	1612
1	1792	1725	1665	1611	1747	1687	1632	1583	1616	1571	1531	1551	1515	1482	1491	1462	1435	1402	1402	1402	1402
2	1649	1531	1434	1352	1607	1500	1411	1335	1441	1367	1302	1387	1325	1271	1337	1286	1241	1207	1207	1207	1207
3	1518	1364	1246	1151	1478	1338	1229	1140	1289	1196	1119	1244	1164	1098	1201	1135	1078	1044	1044	1044	1044
4	1400	1222	1093	994	1363	1200	1079	986	1159	1054	971	1121	1030	957	1085	1007	943	910	910	910	910
5	1294	1101	967	867	1260	1083	956	862	1047	937	852	1015	918	842	984	900	832	799	799	799	799
6	1199	997	862	765	1168	982	854	761	952	838	754	924	823	746	898	809	739	707	707	707	707
7	1115	908	775	681	1087	895	768	678	869	755	672	845	743	667	823	731	661	630	630	630	630
8	1040	831	701	611	1014	820	695	608	798	685	604	777	675	600	757	665	596	566	566	566	566
9	972	765	638	552	949	755	633	550	736	624	546	717	616	543	700	608	540	511	511	511	511
10	912	706	583	502	891	698	580	500	681	572	497	665	565	495	650	558	492	465	465	465	465

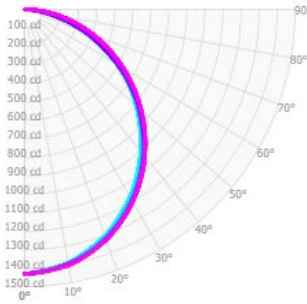
Effective Floor Cavity Reflectance: 20%

LMEZ 2 - Ceiling & Wall

LED - 2" Direct Architectural Linear

Project:	Catalogue:	Type:
Notes:		

IES File: **LMEZ2-C48-LED840K10LFxxx-P73**
 Lumens: **N/A**
 Wattage: **44.1**
 Efficacy: **91**



Zonal Lumen Summary

Zone	Lumens	%Fixture
0.0° - 30.0°	1099	27.2%
0.0° - 40.0°	1793	44.4%
0.0° - 60.0°	3153	78.2%
0.0° - 90.0°	4034	100.0%

Average Luminance Table (cd/m²) CP Summary

	0.00°	45.00°	90.00°
0.00°	24866	24866	24866
45.00°	23105	22958	23176
55.00°	22328	22107	22076
65.00°	21389	21075	20121
75.00°	20321	19825	16789
85.00°	20178	18674	6284

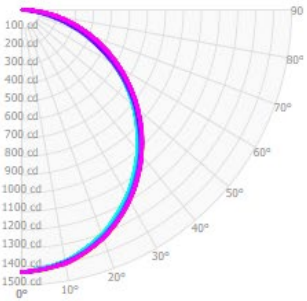
Coefficients of Utilization

Values are lumens delivered to the workplane from a single luminaire

pc	80%				70%				50%				30%				10%				0%
	70%	50%	30%	10%	70%	50%	30%	10%	50%	30%	10%	50%	30%	10%	50%	30%	10%	50%	30%	10%	
pw	70%	50%	30%	10%	70%	50%	30%	10%	50%	30%	10%	50%	30%	10%	50%	30%	10%	50%	30%	10%	0%
0	4802	4802	4802	4802	4691	4691	4691	4691	4482	4482	4482	4292	4292	4292	4116	4116	4116	4034			
1	4377	4179	4002	3843	4266	4087	3926	3780	3915	3782	3660	3757	3648	3548	3611	3523	3442	3356			
2	3975	3636	3356	3121	3868	3559	3302	3084	3415	3198	3011	3282	3101	2942	3159	3009	2876	2787			
3	3621	3190	2856	2590	3520	3126	2816	2567	3005	2739	2520	2893	2666	2476	2789	2597	2433	2344			
4	3314	2825	2466	2192	3221	2771	2436	2177	2669	2377	2146	2574	2321	2116	2486	2268	2087	1999			
5	3047	2523	2157	1886	2962	2477	2133	1876	2391	2087	1855	2311	2044	1834	2236	2002	1814	1727			
6	2814	2271	1907	1646	2736	2233	1889	1638	2160	1852	1623	2091	1818	1609	2027	1784	1594	1510			
7	2610	2060	1703	1453	2539	2027	1688	1447	1964	1659	1437	1906	1631	1426	1851	1604	1415	1334			
8	2429	1880	1534	1296	2366	1851	1521	1292	1798	1498	1284	1747	1475	1275	1700	1452	1267	1190			
9	2270	1725	1391	1166	2212	1701	1381	1163	1655	1362	1156	1611	1343	1150	1570	1324	1144	1070			
10	2128	1592	1271	1057	2076	1571	1263	1055	1531	1246	1050	1493	1230	1045	1457	1215	1040	969			

Effective Floor Cavity Reflectance: 20%

IES File: **LMEZ2-W48-LED840K10LFxxx-P73**
 Lumens: **N/A**
 Wattage: **44.1**
 Efficacy: **91**



Zonal Lumen Summary

Zone	Lumens	%Fixture
0.0° - 30.0°	1099	27.2%
0.0° - 40.0°	1793	44.4%
0.0° - 60.0°	3153	78.2%
0.0° - 90.0°	4034	100.0%

Average Luminance Table (cd/m²) CP Summary

	0.00°	45.00°	90.00°
0.00°	24866	24866	24866
45.00°	23105	22958	23176
55.00°	22328	22107	22076
65.00°	21389	21075	20121
75.00°	20321	19825	16789
85.00°	20178	18674	6284

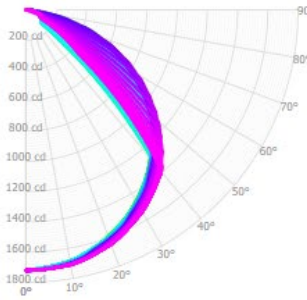
Coefficients of Utilization

Values are lumens delivered to the workplane from a single luminaire

pc	80%				70%				50%				30%				10%				0%
	70%	50%	30%	10%	70%	50%	30%	10%	50%	30%	10%	50%	30%	10%	50%	30%	10%	50%	30%	10%	
pw	70%	50%	30%	10%	70%	50%	30%	10%	50%	30%	10%	50%	30%	10%	50%	30%	10%	50%	30%	10%	0%
0	4802	4802	4802	4802	4691	4691	4691	4691	4482	4482	4482	4292	4292	4292	4116	4116	4116	4034			
1	4377	4179	4002	3843	4266	4087	3926	3780	3915	3782	3660	3757	3648	3548	3611	3523	3442	3356			
2	3975	3636	3356	3121	3868	3559	3302	3084	3415	3198	3011	3282	3101	2942	3159	3009	2876	2787			
3	3621	3190	2856	2590	3520	3126	2816	2567	3005	2739	2520	2893	2666	2476	2789	2597	2433	2344			
4	3314	2825	2466	2192	3221	2771	2436	2177	2669	2377	2146	2574	2321	2116	2486	2268	2087	1999			
5	3047	2523	2157	1886	2962	2477	2133	1876	2391	2087	1855	2311	2044	1834	2236	2002	1814	1727			
6	2814	2271	1907	1646	2736	2233	1889	1638	2160	1852	1623	2091	1818	1609	2027	1784	1594	1510			
7	2610	2060	1703	1453	2539	2027	1688	1447	1964	1659	1437	1906	1631	1426	1851	1604	1415	1334			
8	2429	1880	1534	1296	2366	1851	1521	1292	1798	1498	1284	1747	1475	1275	1700	1452	1267	1190			
9	2270	1725	1391	1166	2212	1701	1381	1163	1655	1362	1156	1611	1343	1150	1570	1324	1144	1070			
10	2128	1592	1271	1057	2076	1571	1263	1055	1531	1246	1050	1493	1230	1045	1457	1215	1040	969			

Effective Floor Cavity Reflectance: 20%

IES File: **LMEZ2-W48-LED840K10LFxxx-P95**
 Lumens: **N/A**
 Wattage: **32.4**
 Efficacy: **128**



Zonal Lumen Summary

Zone	Lumens	%Fixture
0.0° - 30.0°	1351	32.6%
0.0° - 40.0°	2234	53.9%
0.0° - 60.0°	3626	87.5%
0.0° - 90.0°	4102	99.1%

Average Luminance Table (cd/m²) CP Summary

	0.00°	45.00°	90.00°
0.00°	30069	30069	30069
45.00°	22455	24072	21330
55.00°	8472	15400	18558
65.00°	4511	4503	14364
75.00°	4982	2813	8367
85.00°	4107	1336	720

Coefficients of Utilization

Values are lumens delivered to the workplane from a single luminaire

pc	80%				70%				50%				30%				10%				0%
	70%	50%	30%	10%	70%	50%	30%	10%	50%	30%	10%	50%	30%	10%	50%	30%	10%	50%	30%	10%	
pw	70%	50%	30%	10%	70%	50%	30%	10%	50%	30%	10%	50%	30%	10%	50%	30%	10%	50%	30%	10%	0%
0	4921	4921	4921	4921	4802	4802	4802	4802	4580	4580	4580	4377	4377	4377	4190	4190	4190	4102			
1	4561	4391	4238	4101	4447	4294	4156	4031	4114	4001	3897	3948	3856	3772	3795	3722	3654	3569			
2	4198	3898	3650	3442	4090	3818	3591	3399	3669	3479	3315	3531	3373	3235	3403	3274	3158	3073			
3	3864	3474	3172	2931	3763	3407	3128	2903	3282	3044	2848	3166	2964	2795	3058	2889	2743	2658			
4	3563	3112	2781	2529	3469	3056	2748	2510	2950	2684	2473	2853	2622	2436	2761	2564	2401	2316			
5	3293	2803	2461	2208	3208	2756	2435	2195	2667	2385	2168	2583	2336	2142	2506	2290	2117	2034			
6	3053	2539	2195	1948	2974	2499	2174	1938	2423	2134	1919	2352	2096	1900	2285	2058	1881	1800			
7	2838	2313	1972	1733	2767	2278	1955	1726	2213	1923	1711	2152	1891	1697	2094	1861	1683	1605			
8	2646	2117	1784	1555	2582	2087	1770	1549	2031	1743	1538	1978	1717	1527	1928	1693	1516	1441			
9	2475	1947	1623	1404	2417	1921	1612	1400	1872	1590	1391	1826	1568	1383	1783	1547	1374	1301			
10	2322	1799	1485	1277	2269	1776	1476	1273	1724	1457	1266	1694	1439	1259	1656	1422	1252	1183			