

Project:	Catalogue:	Type:
Notes:		

Product Description

The LHBI LED luminaire is a compact, high-efficiency solution for demanding commercial and industrial environments. Delivering up to 160 lumens per watt, it provides major energy savings without sacrificing performance. Ideal for high or low bay applications, it maintains consistent illumination across ambient temperatures from -20°C to 55°C. Its durable construction and thoughtful design make it a reliable long-term lighting option that balances efficiency, toughness, and ease of use.

Applications

Manufacturing areas, retail stores and supermarkets, warehouse and distribution (not for freezers and areas of high humidity or condensation).

Features

- Configurations up to 160 lm/W
- -20°C up to 55°C ambient (See ordering key)
- 80+ CRI Standard
- Standard low voltage dimming (0-10v)
- 2.5KV surge protection

Featured Options

- Adjustable cable suspension
- Emergency lighting battery pack
- Motion Sensor
- Lenses available, see product key

Mounting

This luminaire is specifically designed for suspended mount applications, including stem, chain & adjustable aircraft cable. Mounting kits available (ordered separately).

Construction

CNC fabricated, code gauge steel housing and ends, with integral ventilation slots for high efficiency thermal management.

Finish

5-stage pretreatment, polyester powder coating.

Electrical

CSA/UL approved electronic components. Long life LEDs coupled with high efficiency drivers, provide quality illumination. Rated to deliver L80 performance for over 60,000 hours.

Warranty

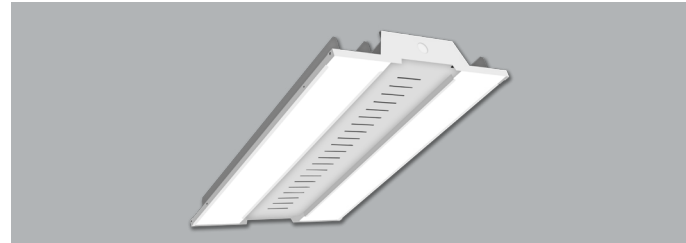
5-year limited warranty. For complete warranty, click here:



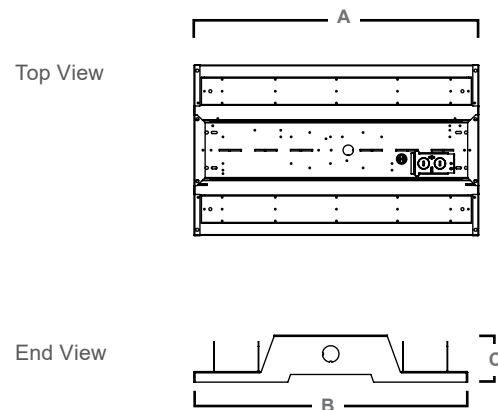
Approvals

- UL listed. cULus Listed
- Tested in accordance to IESNA LM-79.
- LEDs tested to IESNA LM-80.
- Suitable for dry and damp locations.
- DesignLights Consortium®
- RoHS Compliant.

All configurations may not be DLC qualified. Check www.designlights.org/QPL for qualified configurations.



Dimensions



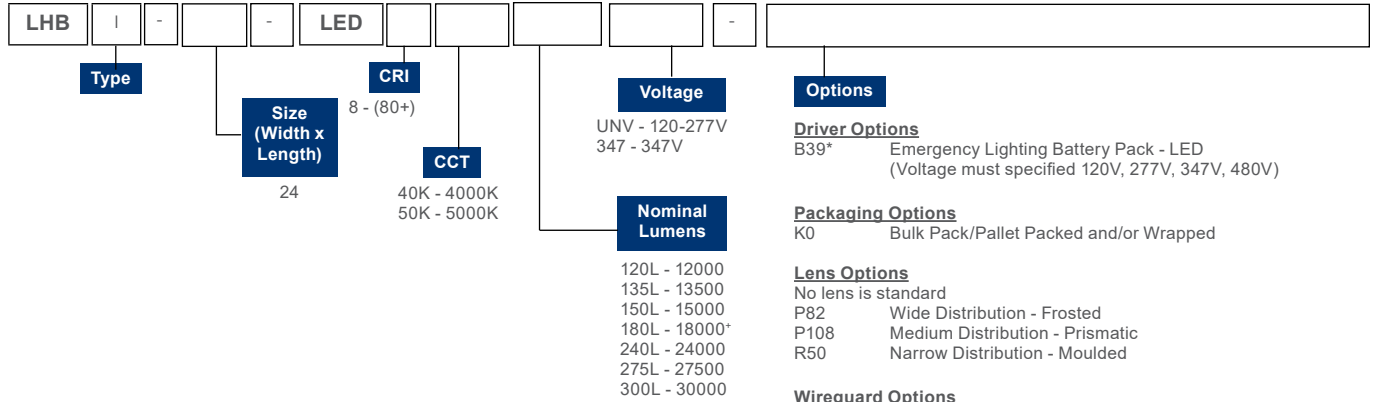
Dimensions (inch)			
Size	A	B	C
24	24	14.50	2.50

Consult the installation guide for exact dimensions.

Project:	Catalogue:	Type:
Notes:		

Order Key

EXAMPLE: LHBI24-LED840K240LUNV



Mounted Accessories (Ordered Separately)	
KIT00002	Speedy Hangers
KIT00003	Mounting Stems & Canopy Set 3/8"IP (2) 4ft.
KIT00004	Aircraft "Y" Cable (10ft) with Adjustable Grip (2)
KIT00016	Deck Plate Ribbed Square
KIT00021	Speedy Hangers with 48-in. Chain Set (2)
KIT00062-(3/4)	Mounting for 3/4-in. Threaded pipe (Stem not Included)
KIT00062-(1/2)	Mounting for 1/2-in. Threaded pipe (Stem not Included)
KIT00062-(3/8)	Mounting for 3/8-in. Threaded pipe (Stem not Included)

- Options**
- Driver Options
- B39* Emergency Lighting Battery Pack - LED (Voltage must specified 120V, 277V, 347V, 480V)
- Packaging Options
- K0 Bulk Pack/Pallet Packed and/or Wrapped
- Lens Options
- No lens is standard
- P82 Wide Distribution - Frosted
- P108 Medium Distribution - Prismatic
- R50 Narrow Distribution - Moulded
- Wireguard Options
- W1 Wireguard Heavy Duty Painted
- Wiring Options
- V08* Flexible 6ft Cord Feed (Single Circuit Cord)
- V20 Motion Sensor - PIR (-10C)
- V94(72WH) 5-Wire 6ft White Cord Feed (For Dimming Applications)**
- V134 PIR occupancy/daylight hold off - bi level dimming

Controls Options
For advanced wireless controls [Click Here](#).

* For pendant mounted applications only, not for use in surface mount applications.

**Other finishes and cord lengths may be available, consult factory.

*Not available with 347V

Other options may be available, consult factory. Specifications and data subject to change without notice.

Performance Scaling Factor

CRI	50K	40K	35K	30K
80CRI	1.000	1.000	0.960	0.946

Lifetime Expectancy

	Calculated Hours	Reported Hours
L70	≥238,000	>60,000
L80	≥149,000	>60,000
L90	≥71,000	>60,000

Delivered Lumens

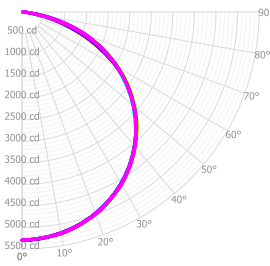
Configuration	No Lens			P82		P108		R50		Wattage	Max Ambient	
	Size	Nominal Lumens	Lumens	lm/W	Lumens	lm/W	Lumens	lm/W	Lumens		lm/W	With Lens
224	12000	12801	160.0	11468	143.4	11479	143.5	12362	154.5	80	55	55
	13500	14194	157.4	12676	140.5	12710	140.9	13689	151.8	90.2	55	55
	15000	15812	153.8	14180	137.9	14149	137.6	15263	148.5	102.8	50	55
	18000	19022	152.2	16924	135.4	16924	135.4	18264	146.1	125	45	50
	24000	25791	159.1	22821	140.8	22717	140.1	24381	150.4	162.1	50	55
	27500	28657	156.3	24936	136.0	25205	137.5	26903	146.8	183.3	50	55
	30000	31387	153.3	27594	134.7	27664	135.1	29659	144.8	204.8	40	45

NOTE: Lumens and wattage based on 80CRI 4000K CCT at 25°C.

Project:	Catalogue:	Type:
Notes:		

Photometrics

IES File: LHBI24-LED840K150LUNV
 Lumens: N/A
 Wattage: 102.8
 Efficacy: 154



Zonal Lumen Summary

Zone	Lumens	%Fixture
0.0° - 30.0°	4166	26.3%
0.0° - 40.0°	6891	43.6%
0.0° - 60.0°	12446	78.7%
0.0° - 90.0°	15733	99.5%

Average Luminance Table (cd/m2) CP Summary

	0.00°	45.00°	90.00°
0.00°	14258	14258	14258
45.00°	14221	14308	14374
55.00°	13974	14086	14217
65.00°	13290	13275	13187
75.00°	10087	10982	9069
85.00°	5354	4339	3174

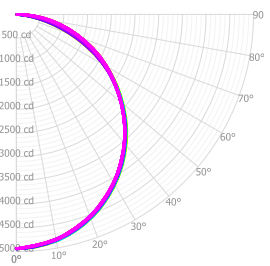
Coefficients of Utilization

Values are lumens delivered to the workplane from a single luminaire

pc	80%				70%				50%				30%				10%				0%
	70%	50%	30%	10%	70%	50%	30%	10%	50%	30%	10%	50%	30%	10%	50%	30%	10%				
pw	18805	18805	18805	18805	18358	18358	18358	18358	17525	17525	17525	16762	16762	16762	16062	16062	16062	15733			
0	18805	18805	18805	18805	18358	18358	18358	18358	17525	17525	17525	16762	16762	16762	16062	16062	16062	15733			
1	17201	16455	15786	15183	16763	16088	15479	14928	15401	14900	14441	14770	14362	13985	14189	13861	13556	13220			
2	15619	14315	13237	12331	15195	14008	13017	12176	13433	12599	11879	12902	12206	11595	12411	11836	11324	10977			
3	14217	12540	11243	10209	13815	12283	11080	10111	11798	10768	9920	11350	10472	9735	10933	10192	9557	9206			
4	12995	11083	9683	8613	12622	10866	9559	8548	10457	9320	8419	10077	9092	8295	9723	8875	8173	7824			
5	11932	9880	8445	7387	11591	9696	8349	7341	9349	8162	7251	9026	7983	7164	8725	7812	7078	6737			
6	11006	8877	7449	6424	10695	8722	7372	6391	8426	7223	6326	8151	7081	6263	7893	6943	6201	5869			
7	10194	8035	6635	5654	9913	7902	6573	5630	7650	6453	5582	7413	6337	5534	7191	6226	5488	5168			
8	9481	7321	5962	5029	9226	7207	5912	5010	6990	5813	4973	6786	5718	4937	6594	5626	4901	4595			
9	8851	6711	5399	4513	8621	6612	5357	4499	6424	5275	4470	6248	5196	4442	6081	5120	4414	4120			
10	8293	6184	4922	4082	8084	6099	4887	4071	5936	4819	4048	5782	4752	4026	5636	4688	4003	3723			

Effective Floor Cavity Reflectance: 20%

IES File: LHBI24-LED840K150LUNV-P82
 Lumens: N/A
 Wattage: 102.8
 Efficacy: 138



Zonal Lumen Summary

Zone	Lumens	%Fixture
0.0° - 30.0°	3799	26.8%
0.0° - 40.0°	6207	43.8%
0.0° - 60.0°	10971	77.4%
0.0° - 90.0°	14101	99.4%

Average Luminance Table (cd/m2) CP Summary

	0.00°	45.00°	90.00°
0.00°	13291	13291	13291
45.00°	12243	12262	12487
55.00°	11949	11863	12101
65.00°	11679	11481	11413
75.00°	11425	10521	8808
85.00°	11610	10396	4721

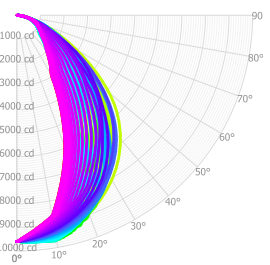
Coefficients of Utilization

Values are lumens delivered to the workplane from a single luminaire

pc	80%				70%				50%				30%				10%				0%
	70%	50%	30%	10%	70%	50%	30%	10%	50%	30%	10%	50%	30%	10%	50%	30%	10%				
pw	16862	16862	16862	16862	16461	16461	16461	16461	15711	15711	15711	15026	15026	15026	14397	14397	14397	14101			
0	16862	16862	16862	16862	16461	16461	16461	16461	15711	15711	15711	15026	15026	15026	14397	14397	14397	14101			
1	15360	14664	14040	13478	14963	14333	13765	13250	13713	13245	12816	13143	12761	12408	12618	12311	12025	11719			
2	13942	12748	11762	10933	13557	12472	11564	10795	11952	11188	10529	11473	10835	10275	11029	10502	10032	9717			
3	12696	11175	9999	9061	12333	10943	9852	8973	10506	9571	8802	10101	9305	8636	9726	9053	8476	8159			
4	11615	9889	8625	7660	11279	9694	8514	7601	9325	8298	7486	8982	8093	7373	8663	7898	7264	6949			
5	10675	8828	7538	6585	10368	8663	7450	6544	8351	7282	6463	8060	7121	6384	7788	6966	6307	5999			
6	9856	7944	6661	5741	9576	7804	6592	5711	7538	6458	5652	7290	6329	5595	7058	6205	5539	5241			
7	9137	7200	5945	5065	8884	7081	5889	5042	6854	5781	4999	6641	5676	4956	6441	5575	4914	4627			
8	8505	6569	5351	4514	8276	6466	5305	4497	6271	5217	4464	6088	5131	4431	5915	5048	4398	4124			
9	7946	6028	4853	4059	7739	5940	4815	4046	5771	4742	4020	5612	4670	3994	5462	4601	3969	3706			
10	7449	5561	4431	3679	7262	5485	4400	3668	5338	4338	3648	5199	4278	3627	5068	4220	3607	3356			

Effective Floor Cavity Reflectance: 20%

IES File: LHBI24-LED840K150LUNV-R50
 Lumens: N/A
 Wattage: 102.8
 Efficacy: 148



Zonal Lumen Summary

Zone	Lumens	%Fixture
0.0° - 30.0°	6243	40.9%
0.0° - 40.0°	9033	59.2%
0.0° - 60.0°	13137	86.1%
0.0° - 90.0°	15177	99.4%

Average Luminance Table (cd/m2) CP Summary

	0.00°	45.00°	90.00°
0.00°	25825	25825	25825
45.00°	6348	9074	23054
55.00°	5718	6835	18841
65.00°	6311	5796	12587
75.00°	7015	5732	7317
85.00°	6735	4783	2450

Coefficients of Utilization

Values are lumens delivered to the workplane from a single luminaire

pc	80%				70%				50%				30%				10%				0%
	70%	50%	30%	10%	70%	50%	30%	10%	50%	30%	10%	50%	30%	10%	50%	30%	10%				
pw	18149	18149	18149	18149	17717	17717	17717	17717	16911	16911	16911	16173	16173	16173	15495	15495	15495	15177			
0	18149	18149	18149	18149	17717	17717	17717	17717	16911	16911	16911	16173	16173	16173	15495	15495	15495	15177			
1	16827	16202	15642	15138	16416	15853	15345	14885	15198	14783	14403	14597	14262	13951	14043	13776	13526	13217			
2	15535	14450	13552	12798	15147	14162	13339	12642	13622	12933	12340	13124	12552	12051	12663	12194	11776	11467			
3	14365	12964	11880	11017	14003	12725	11723	10915	12275	11421	10717	11859	11135	10526	11473	10864	10342	10036			
4	13320	11711	10533	9634	12986	11511	10414	9565	11135	10184	9431	10785	9964	9300	10459	9755	9173	8871			
5	12388	10648	9432	8535	12083	10480	9340	8487	10162	9161	8393	9867	8989	8301	9591	8825	8211	7916			
6	11556	9739	8520	7645	11280	9597	8447	7610	9328	8305	7542	9076	8168	7475	8840	8037	7409	7123			
7	10813	8957	7753	6910	10563	8836	7695	6884	8606	7580	6833	8390	7470	6783	8188	7364	6734	6457			
8	10148	8278	7102	6294	9920	8174	7054	6275	7977	6961	6236	7791	6871	6198	7616	6784	6161	5894			
9	9550	7686	6544	5772	9344	7596	6504	5757	7425	6427	5727	7264	6352	5698	7112	6280	5668	5412			
10	9011	7165	6060	5325	8824	7087	6027	5313	6939	5963	5289	6798	5900	5266	6666	5839	5242	4996			

Effective Floor Cavity Reflectance: 20%

Project:	Catalogue:	Type:
Notes:		

EM Ordering Guide

EM Function	Order Code	Description	Notes
Standard EM	B39	10W EM battery pack	Standard 10W output, 90 minute run time in emergency mode.
High Wattage EM	B39(20W)	20W EM battery pack	Standard 20W output, 90 minute run time in emergency mode.
347V EM	347...B39	8W 347V EM battery pack	Fixture part number indicates 347V input voltage.
347 High Wattage EM	347...B39(20W)	20W 347V EM battery pack	Fixture part number indicates 347V input voltage.
Self Testing EM	B39(SD)	10W Self test EM battery pack	Self test instructions provided with each fixture. Digital copies available as needed.
Cold Weather	B06...B39	10W Cold weather EM battery pack suitable to -20°C	Standard EM battery pack 0°C minimum temperature.
120 Minute EM	B39(2HR)	EM battery pack with 120 minute minimum run time	Standard 14W output, 120 minute run time in emergency mode.
Specified EM	B39(xx)	Customer to specify brand, model number and/or feature.	xx Indicates model number of specified by Viscor.