

Project:	Catalogue:	Type:
Notes:		

Product Description

The LCOMD is a high-performance commercial LED strip luminaire designed to elevate indoor lighting across a range of applications. Offering nominal length options of 2', 4', and 8', the LCOMD seamlessly integrates into industrial and commercial spaces, providing optimal illumination. With a sleek design and versatile mounting options, this luminaire ensures durability through its robust lens choices, effectively shielding against dust, insects, and debris. The LCOMD features superior longevity and energy efficiency, making it the ideal choice for both new installations and efficient retrofits, setting a new standard in commercial-grade LED lighting.

Applications

Coves, enclosed parking garages, retail shelving, industrial racks, utility areas, data centers

Features

- Shallow design
- Surface or suspension mountable
- Available in lengths 24 to 96 inches
- 80+ CRI
- Standard low voltage dimming (0-10v)

Featured Options

- Reflectors
- Wireguard
- Various lens profiles
- Emergency lighting battery pack
- Speedy hangers
- Aircraft cable set

Optical System

Standard units are supplied without lens. Optional lenses available (See order key on page 2).

Mounting

Mounting holes are provided. This product can be surface or suspension mounted.

Construction

Precision-formed steel housing assembly. Knockouts are provided for conduit attachment.

Finish

White, pre-painted housing.

Electrical

Long life LEDs coupled with high efficiency drivers provide quality illumination. Rated to deliver L80 performance > 60,000 hours.

Warranty

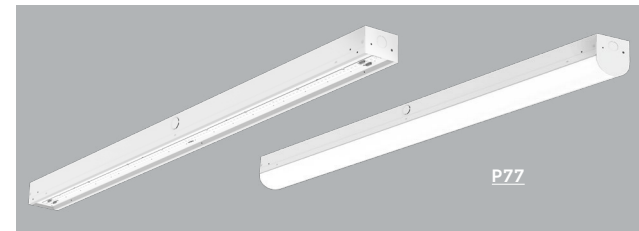
5 year limited warranty. For complete warranty, click here: 



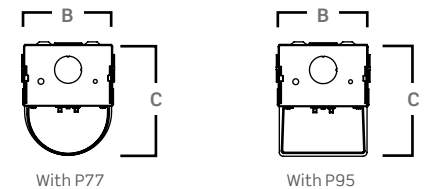
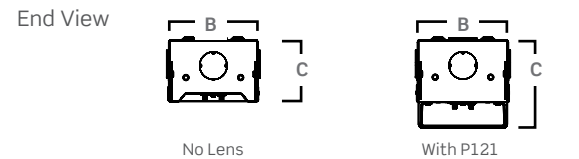
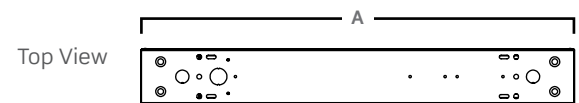
Approvals

- ETL Listed.
- Tested in accordance to IESNA LM-79.
- Suitable for damp locations.
- DesignLights Consortium® Qualified*.

All configurations may not be DLC qualified. Check www.designlights.org/QPL for qualified configurations.



Dimensions



Size	A	B	C		
			No Lens	P121	P77 / P95
24"	22.503"	2.865"	2.034"	2.894"	3.644"
48"	45.065"	2.865"	2.034"	2.894"	3.644"
96"	90.065"	2.865"	2.034"	2.894"	3.644"

Consult installation guide for exact dimensions.

Project:	Catalogue:	Type:
Notes:		

Order Key

EXAMPLE: LCOMD48-LED840K044LUNV



Nominal Length (in.)
24
48
96

CRI
8 - (80+)

CCT
35K - 3500K
40K - 4000K
50K - 5000K

Voltage
UNV - 120-277V
347 - 347V

Nominal Lumens

24"	015L - 1500 022L - 2200 035L - 3500 044L - 4400
48"	030L - 3000 037L - 3700 044L - 4400 070L - 7000 080L - 8000 090L - 9000 100L - 10000
96"	070L - 7000 088L - 8800 100L - 10000 140L - 14000 160L - 16000 200L - 20000

Options

Driver Options

- B15 Bi-Level Step Dimming (50/100)
(Not Available in 24-inch length & 347V)
- B39 Emergency Lighting Battery Pack - LED
(Not Available in 24-inch length and consult factory for 347V)

Finish Options

- F01 Black
- F14 Grey

Packaging Options

- K0 Bulk Pack/Pallet Packed and/or Wrapped

Lens Options**

- No Lens is Standard,
- P77 Round Frosted Extruded Acrylic
(not field installable on standard LCOM, must be included at time of order)
- P95 Frosted Square Lens
- P121 Frosted Shallow Square Lens

Reflector Options***

- R08 Reflector
- R06 Asymmetrical Reflector
- R04 Full Cut-off Reflector

Wireguard Options

- W5 Wireguard Light Duty Painted
(Wireguard not available when ordered with Decorative Reflector Kit)

Wiring and Standard Control Options

- V28 Quick Connectors for row mounting
- V94(72WH) White 6ft 5-wire cord
- V94(72BL) Black 6ft 5-wire cord
- V97(72WH) White 6ft 6-wire cord for use with EM
- V97(72BL) Black 6ft 6-wire cord for use with EM

Controls Options

- V68** Microwave Occupancy Sensor (50% Stand-by Dimming level)
To view the wireless controls guide [Click Here](#).

** P77, P95 & P121 Lens options are not interchangeable, must be factory installed.

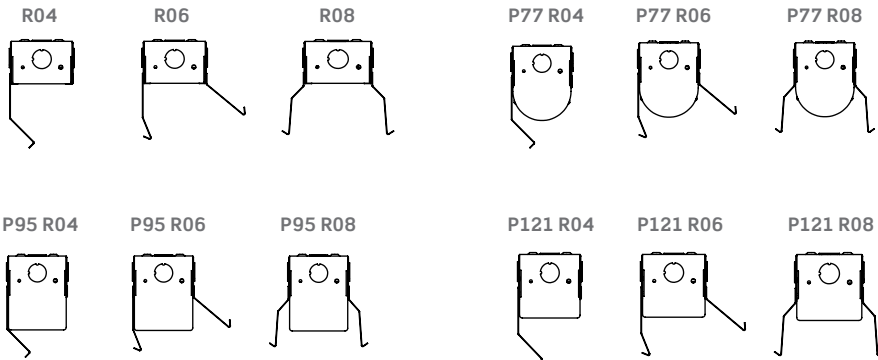
*** Not compatible with wire guard (option W5)

* For pendant mounted applications only. Not for use in surface mount applications.

** Not to be used with step dimming (B15)

Other options may be available, consult factory. Specifications and data subject to change without notice.

Reflector Options



Project:	Catalogue:	Type:
Notes:		

Performance Data

LED Performance Data											
Size	Nominal Lumens	Delivered Lumens				Watts	Lumens per Watt				Ambient Temp. (degrees)
		No Lens	P77 Lens	P95 Lens	P121 Lens		No Lens	P77 Lens	P95 Lens	P121 Lens	
24	1500	1528	1444	1437	1403	10	152	144	148	140	50
	2200	2218	2097	2099	2037	15	147	139	142	135	50
	3500	3525	3332	3237	3237	23	154	146	150	142	50
	4400	4436	4193	4074	4074	30	149	141	145	137	50
48	3000	3056	2889	2874	2807	19	163	154	158	150	50
	3700	3674	3473	3464	3374	23	160	152	156	147	50
	4400	4436	4193	4198	4074	28	157	149	153	144	50
	7000	7050	6664	6474	6474	46	154	146	142	142	50
	8000	8004	7566	7351	7351	53	152	143	143	139	50
	9000	9037	8542	8300	8300	56	162	153	157	149	50
	10000	10035	9486	9216	9216	63	160	152	156	147	40
96	7000	7041	6656	6633	6466	44	161	152	156	148	50
	8800	8872	8386	8395	8148	56	157	149	153	144	50
	10000	10222	9662	9709	9388	66	155	146	150	142	50
	14000	14099	13327	12948	12948	91	154	146	150	142	50
	16000	16299	15407	14969	14969	108	151	143	147	139	50
	18000	18382	17376	16882	16882	114	162	153	157	149	50
	20000	20681	19549	18994	18994	129	160	151	155	147	40

Values based on 840K with standard lens at 25C

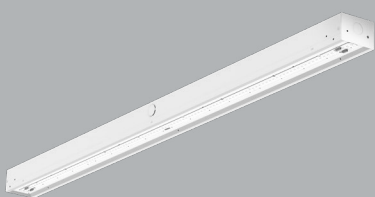
Performance Scaling Factor

	50K	40K	35K	30K
80CRI	1.000	1.000	0.960	0.946
90CRI	0.875	0.875	0.836	0.809

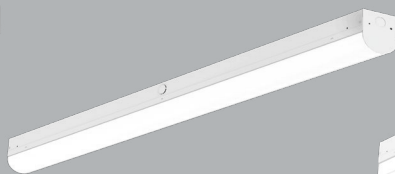
Lifetime Expectancy

	Calculated Hours	Reported Hours
L70	≥ 238,000	> 60,000
L80	≥ 149,000	> 60,000
L90	≥ 71,000	> 60,000

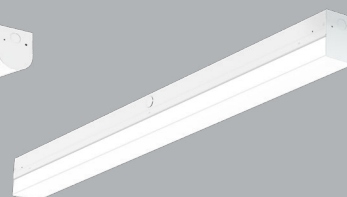
Lens Options



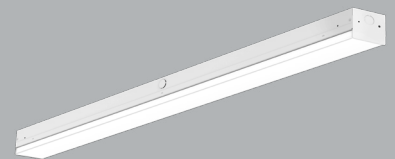
Standard



P77




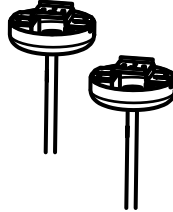

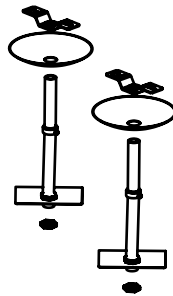
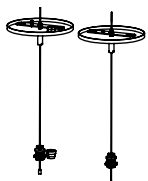
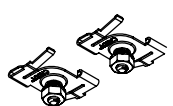
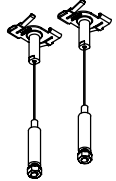
P95



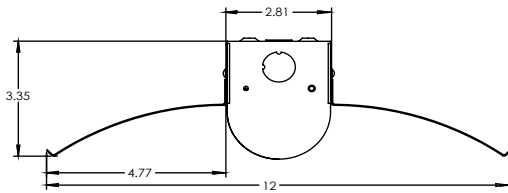
P121

Project:	Catalogue:	Type:
Notes:		

Mounted Accessories (Ordered Separately)

 <p>Chain Set KIT00001 - Chain Set (2) 4ft w/ S-hooks.M10</p>	 <p>Stem & Canopy Set Sloped Ceilings KIT00044 - Stem & Canopy Set Sloped Ceilings (2) 3ft.M29 KIT00045 - Stem & Canopy Set Sloped Ceilings (2) 4ft.M29 KIT00046 - Stem & Canopy Set Sloped Ceilings (2) 6ft.M29</p>
 <p>Speedy Hangers KIT00002 - Speedy Hangers (2).M23</p>	 <p>Stem & Canopy Set KIT00003 - Stem & Canopy Set 3/8"IP (2) 4ft.M26 KIT00047 - Stem & Canopy Set 3/8"IP (2) 2ft.M26 KIT00048 - Stem & Canopy Set 3/8"IP (2) 1ft.M26 KIT00050 - Stem & Canopy Set 3/8"IP (2) 3ft.M26 KIT00053 - Stem & Canopy Set 3/8"IP (2) 6ft.M26</p>
 <p>Aircraft Cable & Canopy KIT00043 - Aircraft Cable & Canopy Set (2) 4ft.M48 (Cord not included with the kit)</p>	 <p>T-Bar Surface Kit KIT00462 - T-Bar Surface Kit (2)</p>
 <p>T-Bar Suspension Kit KIT00463 - T-Bar Suspension Kit (2)</p>	

Decorative Reflector Kits* (Ordered Separately)



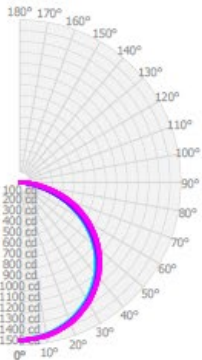
 <p>KIT00271 Solid Solid LCOM Reflector Kit KIT00285 - 2 FT. KIT00271 - 4 FT. KIT00277 - 8 FT.</p>	 <p>KIT00272 Perforated Perforated LCOM Reflector Kit KIT00286 - 2 FT. KIT00272 - 4 FT. KIT00278 - 8 FT.</p>
 <p>KIT00273 Straight Slots Straight Slotted LCOM Reflector Kit KIT00287 - 2 FT. KIT00273 - 4 FT. KIT00279 - 8 FT.</p>	 <p>KIT00274 Angled Slots Angled Slotted LCOM Reflector Kit KIT00288 - 2 FT. KIT00274 - 4 FT. KIT00280 - 8 FT.</p>

* The Decorative reflector kits are designed specifically for P77. Wireguard (W5) not available when ordered with Decorative Reflector Kit.

Project:	Catalogue:	Type:
Notes:		

Photometrics

IES File: **LCOMD48-LED840K044LUNV**
 Lumens: **N/A**
 Wattage: **28.2**
 Efficacy: **157**



Zonal Lumen Summary

Zone	Lumens	%Fixture
0.0° - 30.0°	1146	25.8%
0.0° - 40.0°	1896	42.7%
0.0° - 60.0°	3425	77.2%
0.0° - 90.0°	4409	99.4%
0.0° - 110.0°	4425	99.8%
0.0° - 130.0°	4433	99.9%
0.0° - 150.0°	4436	100.0%
0.0° - 170.0°	4436	100.0%
0.0° - 180.0°	4436	100.0%

Average Luminance Table (cd/m²)
CP Summary

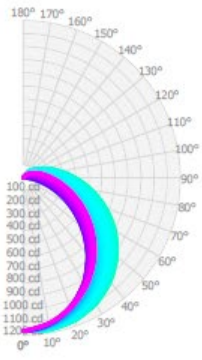
	0.00°	45.00°	90.00°
0.00°	17447	17447	17447
45.00°	17613	14816	13803
55.00°	17544	13751	12376
65.00°	17151	12045	10173
75.00°	15824	9178	6451
85.00°	14556	4379	896

Coefficients of Utilization
Values are lumens delivered to the workplane from a single luminaire

pc	80%				70%				50%				30%				10%				0%
	70%	50%	30%	10%	70%	50%	30%	10%	50%	30%	10%	50%	30%	10%	50%	30%	10%				
pw	0	0	0	0	0	0	0	0	0	0	0	0	0	0	0	0	0	0	0		
0	5274	5274	5274	5274	5148	5148	5148	5148	4914	4914	4914	4699	4699	4699	4502	4502	4502	4409			
1	4804	4587	4392	4216	4680	4483	4305	4144	4288	4142	4008	4110	3991	3880	3945	3849	3760	3664			
2	4357	3982	3673	3412	4236	3895	3611	3369	3732	3493	3286	3582	3382	3206	3443	3277	3130	3031			
3	3964	3485	3115	2821	3850	3413	3069	2793	3275	2981	2739	3148	2898	2687	3030	2819	2637	2537			
4	3622	3079	2682	2378	3517	3018	2647	2359	2902	2579	2323	2794	2515	2288	2694	2453	2254	2155			
5	3326	2745	2338	2039	3229	2693	2311	2026	2594	2258	2000	2503	2207	1975	2418	2159	1951	1854			
6	3068	2466	2062	1773	2980	2422	2041	1763	2338	1998	1745	2260	1958	1727	2187	1919	1709	1615			
7	2842	2232	1837	1560	2762	2195	1819	1553	2123	1785	1539	2056	1752	1526	1993	1721	1513	1422			
8	2643	2034	1651	1387	2571	2002	1636	1382	1940	1608	1372	1883	1581	1361	1828	1555	1351	1265			
9	2468	1864	1495	1245	2403	1837	1483	1241	1783	1460	1233	1733	1437	1225	1686	1415	1217	1134			
10	2312	1718	1363	1126	2253	1694	1353	1123	1648	1333	1116	1604	1315	1110	1563	1296	1103	1024			

Effective Floor Cavity Reflectance: 20%

IES File: **LCOMD48-LED840K044LUNV-P77**
 Lumens: **N/A**
 Wattage: **28.2**
 Efficacy: **149**



Zonal Lumen Summary

Zone	Lumens	%Fixture
0.0° - 30.0°	906	21.6%
0.0° - 40.0°	1485	35.4%
0.0° - 60.0°	2662	63.5%
0.0° - 90.0°	3770	89.9%
0.0° - 110.0°	4059	96.8%
0.0° - 130.0°	4172	99.5%
0.0° - 150.0°	4193	100.0%
0.0° - 170.0°	4193	100.0%
0.0° - 180.0°	4193	100.0%

Average Luminance Table (cd/m²)
CP Summary

	0.00°	45.00°	90.00°
0.00°	13998	13998	13998
45.00°	12970	10202	9119
55.00°	13047	9266	7527
65.00°	13711	8454	5740
75.00°	16343	7979	3579
85.00°	31411	8517	680

Coefficients of Utilization
Values are lumens delivered to the workplane from a single luminaire

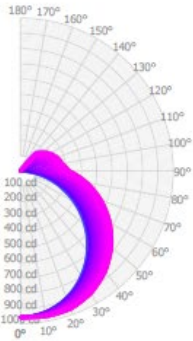
pc	80%				70%				50%				30%				10%				0%
	70%	50%	30%	10%	70%	50%	30%	10%	50%	30%	10%	50%	30%	10%	50%	30%	10%				
pw	0	0	0	0	0	0	0	0	0	0	0	0	0	0	0	0	0	0	0		
0	4891	4891	4891	4891	4728	4728	4728	4728	4424	4424	4424	4146	4146	4146	3890	3890	3890	3770			
1	4372	4135	3922	3731	4210	3996	3804	3629	3737	3580	3436	3499	3373	3255	3280	3179	3085	2964			
2	3945	3561	3244	2978	3790	3444	3154	2909	3223	2983	2775	3020	2822	2648	2832	2671	2527	2409			
3	3581	3105	2737	2444	3437	3005	2667	2394	2817	2532	2297	2643	2404	2204	2482	2283	2113	1999			
4	3270	2739	2350	2053	3137	2653	2294	2015	2492	2185	1941	2343	2081	1869	2204	1983	1799	1690			
5	3001	2439	2046	1756	2880	2366	2000	1726	2227	1911	1668	2099	1826	1611	1979	1744	1556	1452			
6	2768	2190	1803	1524	2658	2127	1764	1501	2008	1690	1454	1896	1619	1408	1792	1551	1362	1265			
7	2564	1982	1604	1340	2464	1927	1572	1320	1823	1510	1281	1726	1450	1243	1635	1392	1206	1114			
8	2384	1805	1440	1190	2294	1757	1413	1173	1667	1360	1141	1581	1309	1109	1501	1259	1078	991			
9	2226	1654	1303	1066	2144	1612	1280	1053	1532	1234	1025	1457	1190	998	1387	1147	971	889			
10	2085	1523	1187	963	2010	1487	1167	951	1416	1127	928	1350	1089	905	1287	1052	882	804			

Effective Floor Cavity Reflectance: 20%

Project:	Catalogue:	Type:
Notes:		

Photometrics

IES File: **LCOM48-LED840K044LUNV-P95**
 Lumens: **N/A**
 Wattage: **29**
 Efficacy: **145**



Zonal Lumen Summary

Zone	Lumens	%Fixture
0.0° - 30.0°	773	18.4%
0.0° - 40.0°	1290	30.7%
0.0° - 60.0°	2405	57.3%
0.0° - 90.0°	3542	84.4%
0.0° - 110.0°	3902	92.9%
0.0° - 130.0°	4139	98.6%
0.0° - 150.0°	4198	100.0%
0.0° - 170.0°	4198	100.0%
0.0° - 180.0°	4198	100.0%

Average Luminance Table (cd/m²)

CP Summary

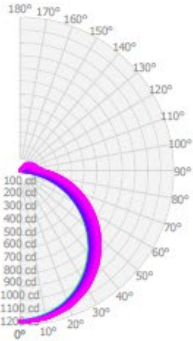
	0.00°	45.00°	90.00°
0.00°	11470	11470	11470
45.00°	13690	10622	8375
55.00°	14868	10477	7392
65.00°	16999	10411	6185
75.00°	21923	10572	4582
85.00°	43965	11462	1418

Coefficients of Utilization
 Values are lumens delivered to the workplane from a single luminaire

pc	80%				70%				50%				30%				10%				0%			
	70%	50%	30%	10%	70%	50%	30%	10%	50%	30%	10%	50%	30%	10%	50%	30%	10%	50%	30%	10%	50%	30%	10%	
pw	4841	4841	4841	4841	4652	4652	4652	4652	4300	4300	4300	3977	3977	3977	3681	3681	3681	3542	3542	3542	3542	3542	3542	
0	4311	4069	3853	3657	4125	3908	3712	3535	3606	3448	3303	3328	3202	3085	3072	2972	2879	2742	2742	2742	2742	2742	2742	
1	3878	3488	3166	2895	3701	3350	3057	2809	3091	2851	2643	2853	2656	2484	2632	2474	2333	2201	2201	2201	2201	2201	2201	
2	3511	3029	2656	2359	3346	2911	2570	2295	2689	2404	2170	2484	2248	2049	2293	2099	1933	1808	1808	1808	1808	1808	1808	
3	3199	2662	2268	1968	3047	2560	2198	1918	2370	2063	1820	2192	1934	1726	2027	1812	1633	1516	1516	1516	1516	1516	1516	
4	2930	2362	1966	1673	2792	2275	1908	1633	2110	1796	1555	1957	1688	1478	1813	1586	1403	1293	1293	1293	1293	1293	1293	
5	2698	2115	1724	1444	2572	2040	1676	1411	1897	1582	1347	1763	1491	1284	1638	1404	1222	1119	1119	1119	1119	1119	1119	
6	2495	1909	1529	1262	2381	1843	1487	1235	1718	1407	1181	1601	1330	1129	1491	1256	1076	980	980	980	980	980	980	
7	2317	1734	1367	1116	2213	1676	1332	1093	1567	1263	1047	1463	1197	1002	1366	1133	958	868	868	868	868	868	868	
8	2160	1585	1233	995	2066	1535	1203	976	1437	1143	937	1346	1085	898	1260	1029	860	775	775	775	775	775	775	
9	2022	1458	1120	895	1935	1412	1093	878	1326	1041	845	1245	991	811	1168	942	778	699	699	699	699	699	699	
10																								

Effective Floor Cavity Reflectance: 20%

IES File: **LCOMD48-LED840K044LUNV-P121**
 Lumens: **N/A**
 Wattage: **28.2**
 Efficacy: **144**



Zonal Lumen Summary

Zone	Lumens	%Fixture
0.0° - 30.0°	917	22.5%
0.0° - 40.0°	1510	37.1%
0.0° - 60.0°	2727	66.9%
0.0° - 90.0°	3748	92.0%
0.0° - 110.0°	3935	96.6%
0.0° - 130.0°	4047	99.3%
0.0° - 150.0°	4074	100.0%
0.0° - 170.0°	4074	100.0%
0.0° - 180.0°	4074	100.0%

Average Luminance Table (cd/m²)

CP Summary

	0.00°	45.00°	90.00°
0.00°	14063	14063	14063
45.00°	14667	11791	10228
55.00°	15075	11136	9032
65.00°	15981	10393	7545
75.00°	18443	9512	5388
85.00°	30709	8359	1371

Coefficients of Utilization
 Values are lumens delivered to the workplane from a single luminaire

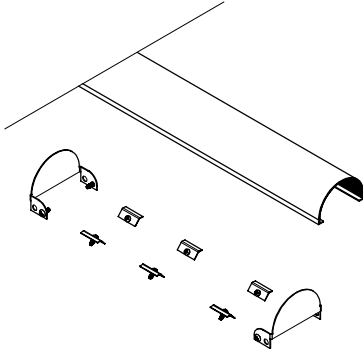
pc	80%				70%				50%				30%				10%				0%			
	70%	50%	30%	10%	70%	50%	30%	10%	50%	30%	10%	50%	30%	10%	50%	30%	10%	50%	30%	10%	50%	30%	10%	
pw	4772	4772	4772	4772	4623	4623	4623	4623	4346	4346	4346	4091	4091	4091	3858	3858	3858	3748	3748	3748	3748	3748	3748	
0	4293	4073	3876	3699	4146	3948	3769	3607	3712	3567	3433	3496	3379	3270	3297	3203	3116	3005	3005	3005	3005	3005	3005	
1	3878	3515	3214	2962	3737	3408	3134	2901	3209	2980	2783	3024	2836	2670	2854	2700	2563	2453	2453	2453	2453	2453	2453	
2	3521	3066	2715	2434	3389	2976	2652	2391	2806	2532	2306	2649	2418	2225	2503	2310	2146	2039	2039	2039	2039	2039	2039	
3	3215	2704	2330	2045	3093	2627	2280	2012	2482	2184	1949	2347	2093	1887	2222	2006	1827	1725	1725	1725	1725	1725	1725	
4	2950	2408	2028	1749	2839	2342	1988	1724	2217	1910	1674	2101	1835	1626	1993	1763	1579	1481	1481	1481	1481	1481	1481	
5	2720	2161	1787	1517	2619	2105	1753	1498	1998	1689	1458	1897	1627	1420	1803	1567	1382	1289	1289	1289	1289	1289	1289	
6	2519	1955	1589	1333	2427	1906	1562	1317	1813	1508	1285	1726	1455	1253	1644	1405	1222	1134	1134	1134	1134	1134	1134	
7	2342	1780	1427	1184	2259	1738	1403	1170	1657	1357	1144	1581	1313	1118	1509	1270	1092	1008	1008	1008	1008	1008	1008	
8	2186	1631	1291	1061	2111	1594	1271	1050	1523	1231	1027	1456	1193	1005	1393	1156	983	904	904	904	904	904	904	
9	2048	1502	1176	958	1979	1470	1158	949	1407	1124	930	1348	1091	911	1292	1060	892	817	817	817	817	817	817	
10																								

Effective Floor Cavity Reflectance: 20%

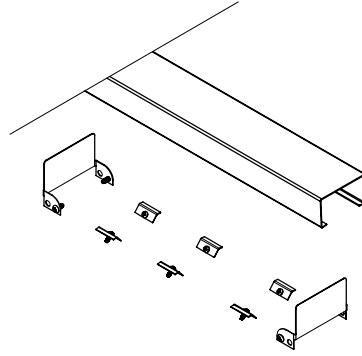
Project:	Catalogue:	Type:
Notes:		

Field Installable Lens Kits (Ordered Separately)

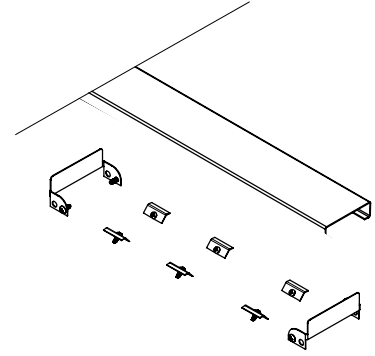
Intended for use with standard configuration (no lens). Not compatible with P77, P95, or P121 options.

Lens P77 Adaptor KIT

KIT00434 - 2ft
KIT00435 - 4ft
KIT00436 - 8 ft

Lens P95 Adaptor KIT

KIT00440 - 2ft
KIT00441 - 4ft
KIT00442 - 8ft

Lens P121 Adaptor KIT

KIT00437 - 2ft
KIT00438 - 4 ft
KIT00439 - 8 ft