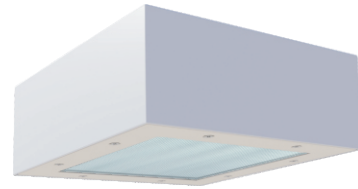


Project	
Type	
Date	
Product Code	
Approved by	

VRIS 1X1 - Confinement

Surface Mount Luminaire
PLC, PLT Lamps
(Cells, Corridors, Dayrooms)



3525

Product Specifications - Application

The VRIS1X1 series by Certolux is a specification-grade luminaire for maximum security and vandal resistant applications. The design incorporates a concealed hinge, tamper resistant fasteners and security lenses. This maximizes impact resistance and unauthorized fixture tampering/penetration. The luminaire can be ceiling surface mounted and is available in 1x1 configurations.

Product Specifications

Housing

Precision die formed 14, 16, or 18 gauge premium grade material as specified (see product ordering key) with continuously welded corners.

Door Frame

Single piece precision die formed with specified material (see product ordering key). Corners are seam welded. Tamper resistant TORX® Head with center pin fasteners secure door frame to housing.

Hinge

Full length concealed piano style hinge with .500" knuckle and .125" pin (Pin is secured to knuckle) welded to door frame and fastened to backplate.

Lens and Lens Retention

Multiple lens choices for both fixture side and room facing side (see product ordering key for options). Lens maximum thickness .500". The lens is secured with adjustable Z style brackets with through studs on housing faceplate.

Finish

The luminaire is in a powder painted white finish and offers a high reflectivity coating for improved lighting performance and efficiency.

Electrical

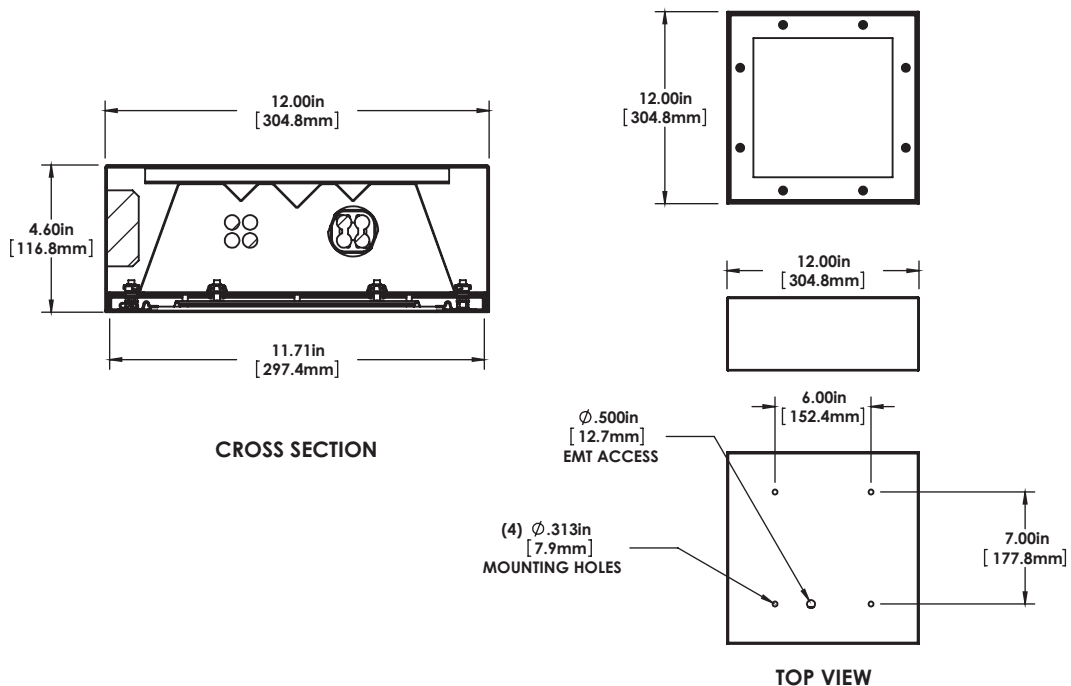
All electrical components are CSA or UL approved. Lamp holders provided ensure positive lamp retention. Standard electronic ballasts are programmed or rapid start, with a THD of less than 20%. Luminaires are provided with an access plate, to facilitate wiring to external power source.

Approvals

Approved to CSA and UL standards.

Vandal
Resistant

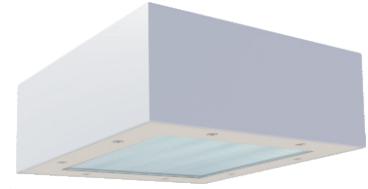
Dimensions



Project	
Type	
Date	
Product Code	
Approved by	

VRIS 1X1 - Confinement

Surface Mount Luminaire
PLC, PLT Lamps
(Cells, Corridors, Dayrooms)



3525

Product Specifications - Application

The VRIS1X1 series by Certolux is a specification-grade luminaire for maximum security and vandal resistant applications. The design incorporates a concealed hinge, tamper resistant fasteners and security lenses. This maximizes impact resistance and unauthorized fixture tampering/penetration. The luminaire can be ceiling surface mounted and is available in 1x1 configurations.

Ordering

VRIS-3525 1X1 / / - / /

- Series:** VRIS-3525
- Model:** 1X1
- Size (W x L):** 1x1
- No. of Lamps:** 1L, 2L
- Lamp Type:** PLC, PLT
- Voltage:** 120 - 120V, 277 - 277V, 347 - 347V, UNV - 120-277V
- Internal Lens:** [Select]
- External Lens:** [Select]
- Options:**
 - Ballast Options:**
 B01 Ballast Disconnect - In-line Power Disconnect (CSA-UL Req'd For Voltages above 150v)
 - B02 Dimming Addressable Digital (DALI)
 - B03 Dimming Low Voltage
 - B08 Ballast - High Ballast Factor
 - B09 Ballast - Low Ballast Factor
 - B30 Emergency Specified Lighting Battery Pack 1-lamp
 - B33 Emergency Lighting Battery Pack 1-lamp
 - B34 Emergency Lighting Battery Pack 2-lamp
- Construction Options:**
 C29 Housing Wet Location
- Packaging Options:**
 K0 Pack Bulk/Pallet Packed and/or wrapped
- K1 Pack Single
- Fusing and Breaker Options:**
 T5 Fuseholder, In-line Double Pole
- T6 Fuseholder, In-line Single Pole
- Wiring Options:**
 V22 Night Light - Compact Fluorescent
- V25 Radio Frequency Filter
- V39 Night Light - White LED
- Reflector Options:**
 VF1 Full (95% Reflectance) Specular
- Approvals Options:**
 X7 Dual CSA/USA
- Lamp Options:**
 Z1 Lamps Installed (Specify Type)

- Door/Housing Gauge:**
- A - 18 Ga. CRS (Painted)
- B - 16 Ga. CRS (Painted)
- C - 14 Ga. CRS (Painted)
- E - 18 Ga. SS #304 (Painted)
- F - 16 Ga. SS #304 (Painted)
- G - 14 Ga. SS #304 (Painted)
- J - 16 Ga. SS #304 (#4 Brushed)**
- K - 14 Ga. SS #304 (#4 Brushed)**
- Ballast Type:** N - Instant Start, P - Prog. Start
- Lamp Watts:** See Table below
- Internal/External Lens:** P00 - None, P13 - .125 Prismatic Acrylic, P45 - .125 Clear Polycarbonate, P42 - .156 Prismatic Polycarbonate, P43 - .187 Prismatic Polycarbonate, P46 - .187 Clear Polycarbonate, P49 - .187 Clear Tempered Glass, P08 - .250 Clear Polycarbonate, P50 - .250 Clear Tempered Glass, P47 - .375 Clear Polycarbonate, P51 - .375 Clear Tempered Glass, P48 - .500 Clear Polycarbonate, P52 - .500 Clear Tempered Glass

** Not Available as Housing Material

Note: Maximum lens thickness combined is .625"

Model Numbers relate to specific designs, refer to product photo and Dimension sections for additional details.

Lamp Watts

Size	Nom. Lamp Watts	
	PLC	PLT
1x1	13,18 or 26	32 or 42 (1 lamps max)

Other options may be available consult factory. Specifications and data subject to change without notice



Vandal Resistant