

Project	
Type	
Date	
Product Code	
Approved by	

VRC 24,48 - Confinement

Corner Mount Luminaire
T5, T5HO, T8 Lamps
(Cells, Corridors, Dayrooms)



3496

Product Specifications - Application

The VRC series by Certolux is a specification-grade luminaire for maximum security and vandal resistant applications. The hinged door design has concealed hinges, tamper resistant fasteners, and security lenses. This maximizes impact resistance, and unauthorized fixture tampering/penetration.. The luminaire can be corner mounted.

Product Specifications

Housing

Precision die formed 12, 14, or 16 gauge cold rolled steel housing with 12 gauge continuously welded end plates.

Backplate

Die formed 12, 14 or 16 ga. CRS with embossed mounting holes and contraband trap.

Door Frame

Single piece precision die formed with specified material (see product ordering key). Corners are seam welded. Tamper resistant TORX® Head with center pin fasteners secure door frame to housing.

Hinge

Full length concealed piano style hinge with .500" knuckle and .125" pin (Pin is secured to knuckle) welded to door frame and fastened to backplate.

Lens and Lens Retention

Multiple lens choices for both fixture side and room facing side (see product ordering key for options). Lens maximum thickness .625". The lens is secured with adjustable V style brackets with through studs on housing faceplate.

Finish

The luminaire is in a powder painted white finish and offers a high reflectivity coating for improved lighting performance and efficiency.

Electrical

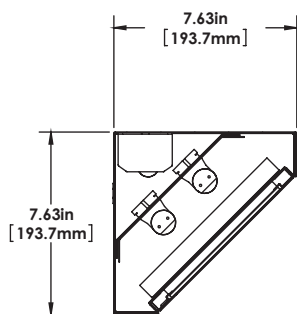
All electrical components are CSA or UL approved. Lamp holders provided ensure positive lamp retention. Standard electronic ballasts are programmed or rapid start, with a THD of less than 20%. Luminaires are provided with an access plate, to facilitate wiring to external power source.

Approvals

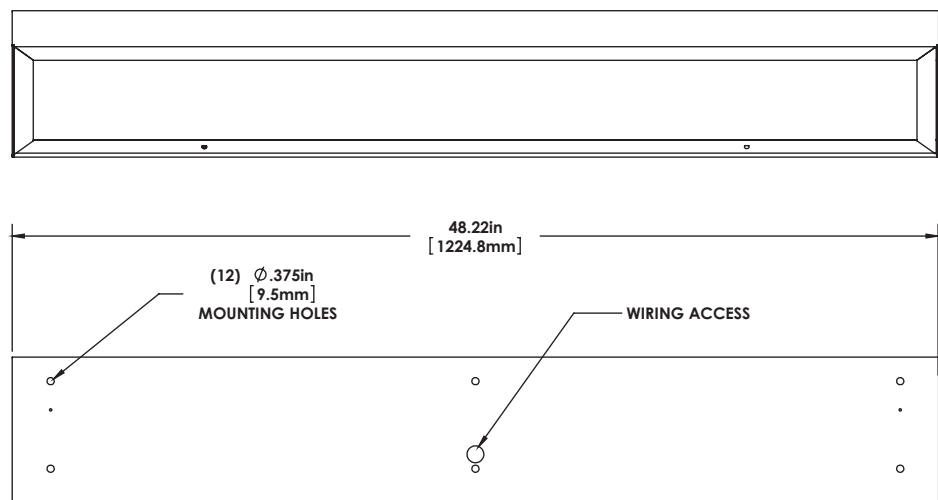
Approved to CSA and UL standards.

Vandal
Resistant

Dimensions



CROSS SECTION



TOP/REAR VIEW

Project	
Type	
Date	
Product Code	
Approved by	

VRC 24,48 - Confinement

Corner Mount Luminaire
T5, T5HO, T8 Lamps
(Cells, Corridors, Dayrooms)



3496

Product Specifications - Application

The VRC series by Certolux is a specification-grade luminaire for maximum security and vandal resistant applications. The hinged door design has concealed hinges, tamper resistant fasteners, and security lenses. This maximizes impact resistance, and unauthorized fixture tampering/penetration.. The luminaire can be corner mounted.

Ordering

Vandal Resistant

Series	Model	Size (L)	No. of Lamps	Lamp Type	Voltage	Internal Lens	External Lens	Options
VRC-3496		24 48	1L 2L 3L	T5 T5HO T8	120 - 120V 277 - 277V 347 - 347V UNV - 120-277V UN4 - 347-480V *			Ballast Options <input type="checkbox"/> B01 Ballast Disconnect - In-line Power Disconnect (CSA-UL Req'd For Voltages above 150v) <input type="checkbox"/> B02 Dimming Addressable Digital (DALI) <input type="checkbox"/> B03 Dimming Low Voltage <input type="checkbox"/> B08 Ballast - High Ballast Factor <input type="checkbox"/> B09 Ballast - Low Ballast Factor <input type="checkbox"/> B30 Emergency Specified Lighting Battery Pack 1-lamp <input type="checkbox"/> B33 Emergency Lighting Battery Pack 1-lamp <input type="checkbox"/> B34 Emergency Lighting Battery Pack 2-lamp Housing Construction Options <input type="checkbox"/> C53 Speaker Extension Cabinet(Speaker by others)
		Door/Housing Gauge B - 16 Ga. CRS (Painted) C - 14 Ga. CRS (Painted) D - 12 Ga. CRS (Painted) F - 16 Ga. SS #304 (Painted) G - 14 Ga. SS #304 (Painted) J - 16 Ga. SS #304 (#4 Brushed)** K - 14 Ga. SS #304 (#4 Brushed)** ** Not Available as Housing Material		Lamp Watts See Table below	Internal/External Lens P00 - None P13 - .125 Prismatic Acrylic P45 - .125 Clear Polycarbonate P42 - .156 Prismatic Polycarbonate P43 - .187 Prismatic Polycarbonate P46 - .187 Clear Polycarbonate P49 - .187 Clear Tempered Glass P08 - .250 Clear Polycarbonate P50 - .250 Clear Tempered Glass P47 - .375 Clear Polycarbonate P51 - .375 Clear Tempered Glass P48 - .500 Clear Polycarbonate P52 - .500 Clear Tempered Glass			Options Packaging Options <input type="checkbox"/> K0 Pack Bulk/Pallet Packed and/or wrapped <input type="checkbox"/> K1 Pack Single Fusing and Breaker Options <input type="checkbox"/> T6 Fuseholder, In-line Single Pole Wiring Options <input type="checkbox"/> V22 Night Light - Compact Fluorescent <input type="checkbox"/> V25 Radio Frequency Filter <input type="checkbox"/> V39 Night Light - White LED Reflector Options <input type="checkbox"/> VF1 Full (95% Reflectance) Specular Approvals Options <input type="checkbox"/> X7 Dual CSA/USA Lamp Options <input type="checkbox"/> Z1 Lamps Installed (Specify Type)

Note: Maximum lens thickness combined is .625"

Model Numbers relate to specific designs, refer to product photo and Dimension sections for additional details.

Lamp Watts

Size	Nom. Lamp Watts		
	T5	T5HO	T8
24	14	24	17
48	28	54	32

Other options may be available consult factory.
Specifications and data subject to change without notice

