

Specification-Grade Wide Beam Molded Enclosed and Gasketed Glass Reinforced Polyester Housing Luminaire (IP67)

Project
Type
Date
Cat #

Application Features

Specification-grade high or low bay IP67 fluorescent luminaire. For use with indoor and outdoor applications where high-efficiency, high-performance and dust/water resistance is required. This luminaire's glass reinforced polyester housing and acrylic lens makes it ideal for applications that require a high degree of ingress protection. For use in wet locations.



Specifications

Optical System

Specular aluminum reflector with a minimum reflectance of 95% is standard. Lens is optically clear, impact resistant acrylic for maximum light transmission and longevity or optional UV stabilized polycarbonate lenses for maximum impact resistance. The sides have precise linear prisms and ends are lightly frosted to reduce direct glare.

Mounting

Stainless steel V-hook with hook hangers are standard. Optional cable hangers and ceiling-mount brackets are available.

Construction

Molded one-piece glass reinforced plastic housing. Continuous poured in place polyurethane gasket. Diffuser flange fits into the gasketed retention slot providing a continuous seal, and is held in place with 12 white celcon retaining latches. Holes on each end are 7/8 inch nominal diameter and are provided with two EPDM rubber caps for connection and through wiring.

Finish

Pre-painted steel geartrays.

Electrical

Rotary lampholders ensure positive lamp retention. Sufficient knockouts are provided for connections and through wiring.

Approvals

Approved to CSA and UL standards. For Wet Locations.

40°C Maximum Ambient for 4 Lamp T5HO.

35°C Maximum Ambient for 6 Lamp T5HO.

Features

- IP67 - Ingress Protection Rating
- Meets Canada Food Inspection Agency standards
- NSF and NEMA 4X Certified
- Housing is 5VA flammability rated in accordance with UL94 & UL746
- Replaces 250 or 400 watt HID fixtures
- Up to 50% energy savings compared to equivalent metal halide luminaire
- Available with 4 or 6 lamps (T5 and T8 configurations)

Options & Adders

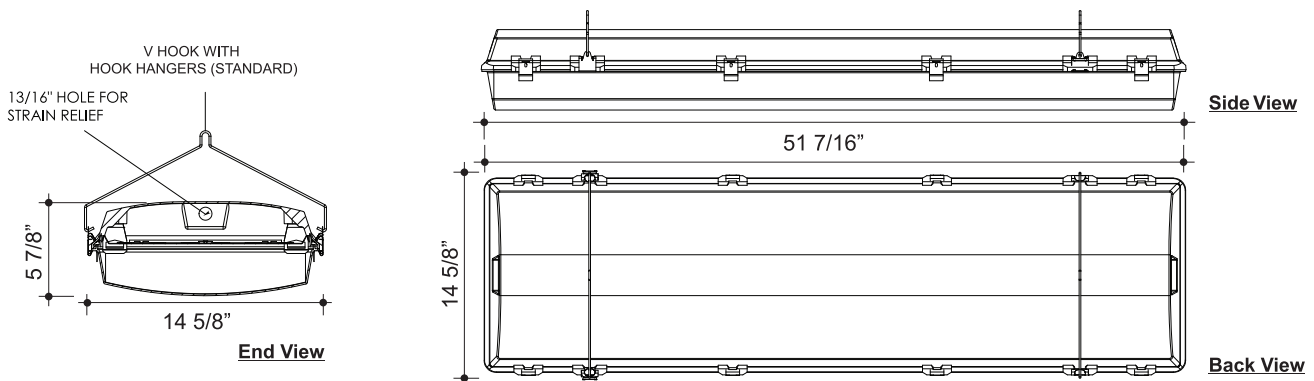
- Multi-level switching
- Dimmable and Emergency ballast
- Ceiling-mount bracket
- Radio interference filter (120V - 277V)
- Clear, textured polycarbonate lens with linear ribs
- 45 degree mounting bracket

Applications

- Cleanrooms
- Cold Storage Facilities
- Food Processing Areas
- Dusty, Wet and Damp Environments
- Swimming Pools

HIGHBAY LIGHTING

Dimensions



Project
Type
Date
Cat #

FHBV Fluorescent High Bay V



Specification-Grade Wide Beam Molded Enclosed and Gasketed Glass Reinforced Polyester Housing Luminaire (IP67)

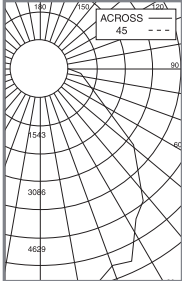


Photometrics - FHBV648-T5HOPUNV-R05 - Efficiency 78.0%

Candle Distribution

Luminance Summary-CD. / SQ. M.

Candle Power Summary



ANGLE	ALONG	45	ACROSS
45	11499	12416	13854
55	10546	12905	14562
65	8672	12132	13699
75	6017	11167	13057
85	3358	9839	12528

ZONE	LUMENS	% LAMP	% LUMINAIRE
0 - 30	4954.79	16.90	21.60
0 - 40	8262.24	28.10	36.00
0 - 60	15474.81	52.60	67.40
0 - 90	21877.43	74.40	95.30
90 - 120	822.19	2.80	3.60
90 - 130	929.99	3.20	4.10
90 - 180	1068.45	3.60	4.70
0 - 180	22945.88	78.00	100.00

Ordering

FHBV [] [] - [] [] [] [] - [] Options

Typical Number Of Lamps In Cross Section

- * 4
- ** 6

* 40°C Max. Ambient for 4 Lamp T5HO

** 35°C Max. Ambient for 6 Lamp T5HO

Nom. Length (inches)

48

Lamp Watts

See table below

Lamp Type

- T5
- T5HO
- T8

Voltage

- 120 - 120V
- 347 - 347V
- UNV - 120 - 277V
- UN4 - 347 - 480V

Ballast Type

- N - Instant Start
- P - Program Start
- R - Rapid Start

Ballast Options

(See Option Code Section For More Information)

- B02 Dimming Addressable Digital (dali)
- B03 Dimming Low Voltage (0-10v)
- B04 Dimming Line Voltage
- B08 High Ballast Factor
- B09 Low Ballast Factor
- B30 Emergency Lighting Battery Pack Spec Grade
- B33 Emergency Lighting Battery Pack 1-lamp
- B34 Emergency Lighting Battery Pack 2-lamp

Housing Construction Options

- C16 Stainless Steel Latches
- C18 Tamper proof Latches

Mounting Options

- M10(xx) Mounting Chain Set (specify length (xx) in inches)
- M39 Ceiling Mounting Plate
- M43 45 Degree Bracket
- M63 Rigid Mounting Beam

Lens Options

(High impact acrylic is standard- P05)

- P07 Clear Polycarbonate Lens
- P67 High Impact Acrylic Frosted Smooth Molded

Reflector Options

(Reflector VF1 Solid Full Specular Aluminum with 95% Reflectance Is Standard)

- R05 Reflector Solid Aluminum (92% White)

Wiring Options

- † V08 Flexible Feed Cord (single circuit only) 6-ft Standard
- V15 Liquid Tight Strain Relief
- V16 Liquid Tight Tandem Connector (3 inch)
- V21 Motion Sensor with Enclosure Assembly (For Damp Locations)
- V25 Radio Interference Filter
- V32 Wiring 2-Circuit Cord
- V33 Wiring 2-Switch Leads
- V35 Wiring 3-Switch Leads
- V82(UNV) IP65 Motion Sensor 120-277V (For Wet Locations)
- V82(UN4) IP65 Motion Sensor 347-480V (For Wet Locations)

Approval and Rating Options

- X7 Dual CSA/USA Market

Example:

FHBV648-T5HO54PUNV-P07

Lamp Watts

Length	Nominal Lamp Watts		
	T5	T5HO	T8
48	28	54	32

Other options may be available consult factory. Specifications and data subject to change without notice.

† For pendant mounted applications only. Not for use in surface mount applications.

Mounting Accessories (Ordered Separately)

- KIT00006 RIGID MOUNTING BEAM
- KIT00014 25 DEGREE BRACKET
- KIT00060 45 DEGREE BRACKET

Occupancy Sensors (If Ordered Separately)

- KIT00065 IP65 MOTION SENSOR KIT (UNV)
- KIT00066 IP65 MOTION SENSOR KIT (UN4)

HIGHBAY LIGHTING