

Project:	Catalogue #:	Type:
Notes:		

### Product Description

The VRUo-LRC series by Certolux is a vandal-resistant specification-grade recessed luminaire for flanged, or security ceilings. Anti-Ligature is a standard feature of this series. The luminaire also features tamper-resistant fasteners to protect from unauthorized fixture penetration and security lenses to maximize impact resistance. The full assembly is tested to exceed the rating of IK10 for impact resistance.

### Feature Options

- LED Night Light
- Emergency Lighting Battery Pack
- IP65 Rating



### Housing

Precision die formed and welded 16 gauge cold rolled steel housing with specified material (see product ordering key).

### Mounting

Flange installation is supported by swing style mounting brackets.

### Door Frame

Single piece overlapping style die formed 16 gauge cold rolled steel or stainless steel. Corners are TIG welded and blended. Tamper resistant TORX® Head with center pin fasteners secure door frame to housing.

### LED

Available in three standard colour temperatures 3500K, 4000K, 5000K. Additional LED night light available (consult ordering key).

### Lens & Lens Retention

Multiple lens choices available (see product key for options). Lens sealed to door frame with continuous retention system and supported with stainless steel aircraft cables.

### Finish

Polyester powder painted white finish features a high reflectivity coating for improved performance and efficiency.

### Electrical

Long life LED's coupled with high efficiency drivers provide quality illumination. Rated to deliver an L80 performance >50,000 hours. The standard driver has a THD of <10%. Standard low-voltage dimming (0-10v). All electrical components are CSA or UL approved. A 1/2" EMT hole is provided for wiring connections.

### Warranty

5 year limited warranty. For complete warranty, click here:

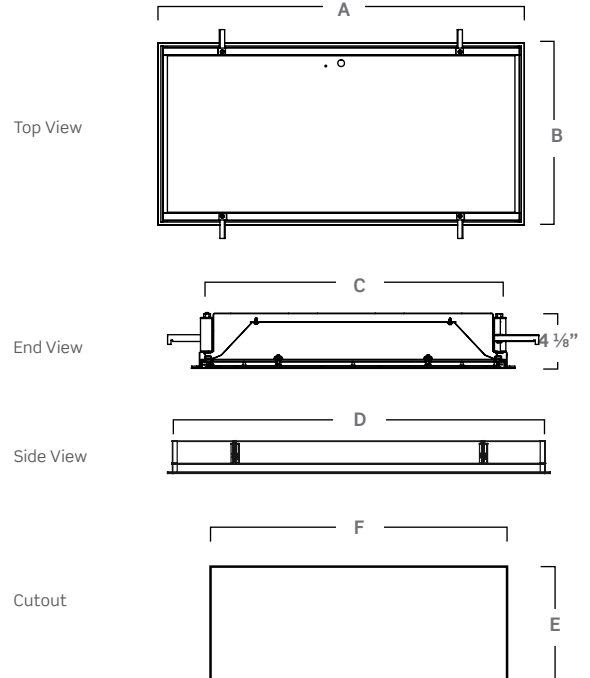


### Approvals

- Approved to CSA and UL standards.
- UL listed for insulated ceilings, wet locations.
- Government accepted for use in areas of high risk.



### Dimensions



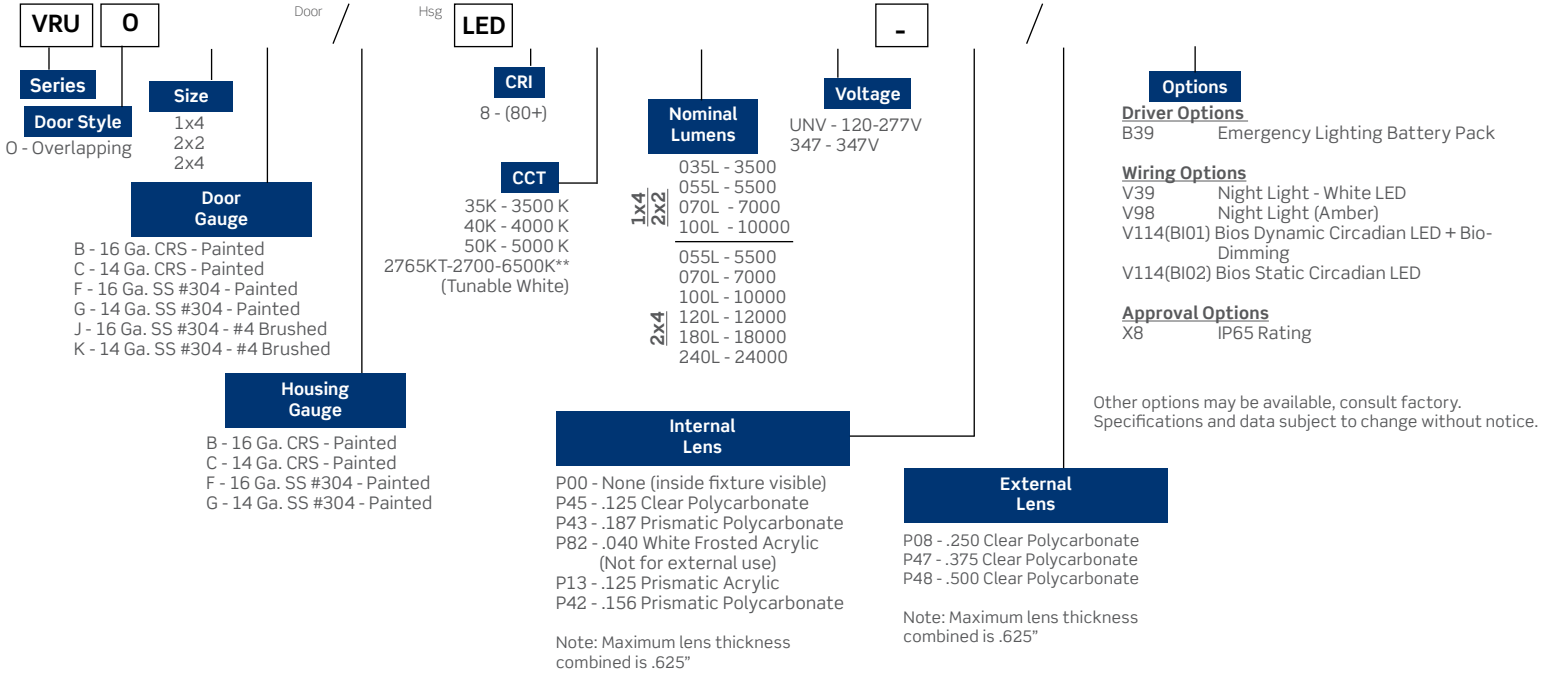
	Dimensions (inch) & Weights					
	A	B	C	D	E	F
1x4	47 3/4"	11 3/4"	10 11/16"	46 3/4"	10 11/16"	46 3/4"
2x2	23 3/4"	23 3/4"	22 11/16"	22 7/8"	22 11/16"	22 7/8"
2x4	47 3/4"	23 3/4"	22 11/16"	46 3/4"	22 11/16"	46 3/4"

Consult installation guide for exact dimensions.

Project:	Catalogue #:	Type:
Notes:		

**Order Key**

**EXAMPLE: VRUO2X2B/BLED840K070LUNV-P82/P08**



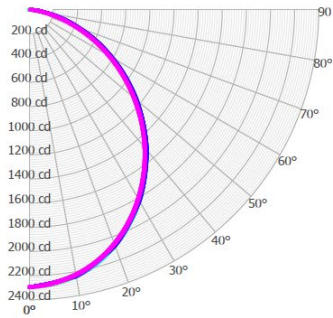
**LED Performance Data**

Size	Nominal Lumens	Watts
1x4 2x2	3500	33
	5500	53
	7000	70
	10000	99
2x4	5500	47
	7000	61
	10000	82
	12000	101
	18000	146
	24000	201

Project:	Catalogue #:	Type:
Notes:		

**Photometrics**

IES File: **VRUI-2X2-LED840K055LUNV-P82P08**  
 Lumens: **5569**  
 Wattage: **52**  
 Efficacy: **107**



**Zonal Lumen Summary**

Zone	Lumens	%Lamp	
0.0° - 30.0°	1723	-43,083.6%	30.9%
0.0° - 40.0°	2764	-69,091.0%	49.6%
0.0° - 60.0°	4646	-116,155.7%	83.4%
0.0° - 90.0°	5569	-139,225.4%	100.0%

**Coefficients of Utilization**

pc	80%			70%			50%		
	70%	50%	30%	70%	50%	30%	70%	50%	30%
<b>0</b>	119	119	119	116	116	116	111	111	111
<b>1</b>	110	105	101	107	103	99	102	99	96
<b>2</b>	100	93	86	98	91	85	93	87	82
<b>3</b>	92	82	74	89	80	73	85	77	71
<b>4</b>	84	73	65	82	72	64	78	69	62
<b>5</b>	78	65	57	76	64	56	72	62	55
<b>6</b>	72	59	50	70	58	50	67	56	49
<b>7</b>	67	54	45	65	53	45	62	51	44
<b>8</b>	62	49	41	61	48	41	58	47	40
<b>9</b>	58	45	37	57	45	37	54	44	36
<b>10</b>	55	42	34	53	41	34	51	40	33

**Average Luminance Table (cd/m2)  
CP Summary**

	0.00°	45.00°	90.00°
<b>0.00°</b>	6364	6364	6364
<b>45.00°</b>	5202	5147	5232
<b>55.00°</b>	4664	4579	4681
<b>65.00°</b>	3910	3791	3915
<b>75.00°</b>	2659	2559	2780
<b>85.00°</b>	797	1170	1738

Effective Floor Cavity Reflectance: 20%