

Project:	Catalog:	Type:
Notes:		

**Product Description**

The VRUI series by Certolux is a vandal resistant specification grade recessed luminaire for flanged, grid or security ceilings. The luminaire features tamper resistant fasteners to protect from unauthorized fixture penetration and security lenses to maximize impact resistance. An optional ligature resistant construction is available.

**Featured Options**

- LED Night Light
- Emergency Lighting Battery Pack
- IP65 Rating

**Housing**

Precision die formed and welded housing with specified material (see product ordering key).

**Mounting**

Flange installation is supported by swing style mounting brackets. Grid installation suitable for 1" and 1.5" T-Bar ceilings. See ordering key for additional 2" T-Bar support (option C57).

**Door Frame**

Single piece precision die formed with specified material (see product ordering key). Corners are TIG welded. Tamper resistant TORX® Head with center pin fasteners secure door frame to housing.

**LED**

Available in three standard colour temperatures 3500K, 4000K, 5000K. Additional LED night light available (consult ordering key).

**Lens & Lens Retention**

Multiple lens choices available (see product key for options). Lens sealed to door frame with continuous retention system and supported with stainless steel aircraft cables.

**Finish**

Polyester powder painted white finish features a high reflectivity coating for improved performance and efficiency.

**Electrical**

Long life LED's coupled with high efficiency drivers provide quality illumination. Rated to deliver an L80 performance >50,000 hours. The standard driver has a THD of <10%. Standard low-voltage dimming (0-10v). All electrical components are CSA or UL approved. A ½" EMT hole is provided for wiring connections.

**Warranty**

5 year limited warranty. For complete warranty, click here:



**SPEEDSHIP**

Refer to page 2 of the spec sheet for Speedship Items.

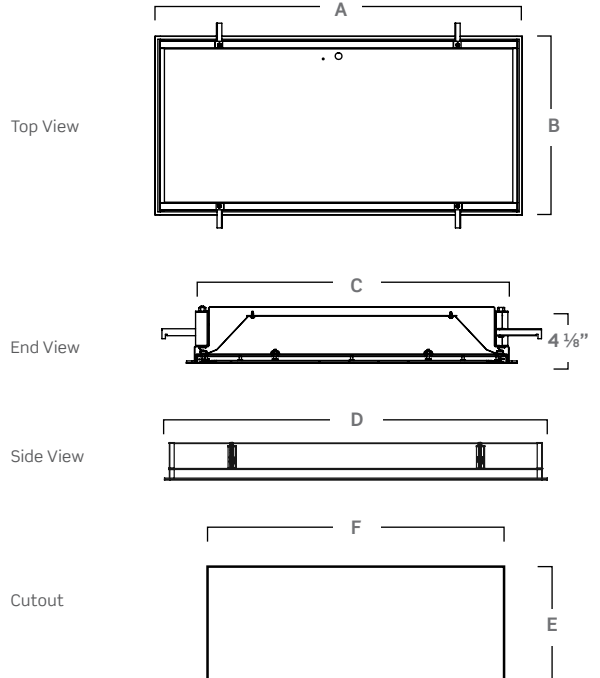


**Approvals**

- Approved to CSA and UL standards.
- UL listed for insulated ceilings, wet locations.



**Dimensions**



	Dimensions (inch) & Weights					
	A	B	C	D	E	F
1x4	47 3/4"	11 3/4"	10 11/16"	46 3/4"	10 11/16"	46 3/4"
2x2	23 3/4"	23 3/4"	22 11/16"	22 7/8"	22 11/16"	22 7/8"
2x4	47 3/4"	23 3/4"	22 11/16"	46 3/4"	22 11/16"	46 3/4"

Consult installation guide for exact dimensions.

Project:	Catalog:	Type:
Notes:		

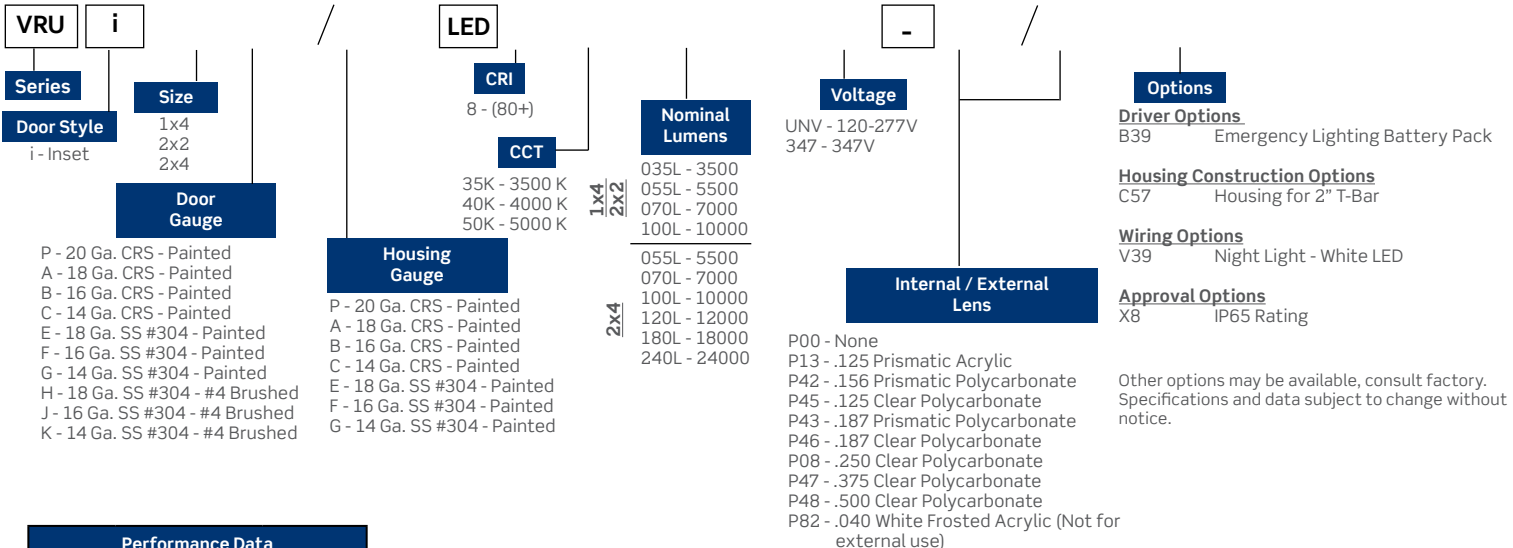
## SPEEDSHIP»

Order Key for items that ship within 5 days.

SKU	Description
VRUi-2x2B/B-8xxK-yyyL-UNV-P82/P08	<b>VRUi Inset Door Frame</b> Size: 2x2 Material Door: B = 16 Ga. CRS - Painted Material Housing: B = 16 Ga. CRS - Painted CRI: 80+ CCT: 3500K, 4000K & 5000K Lumens: 035L, 055L, 070L & 100L Voltage: UNV - 120-277V Lens: P82 - 0.040" White Frosted Acrylic (Not for external use) P08 - 0.250" Clear Polycarbonate
VRUi-2x4B/B-8xxK-yyyL-UNV-P13/P46	<b>VRUi Inset Door Frame</b> Size: 2x4 Material Door: B = 16 Ga. CRS - Painted Material Housing: B = 16 Ga. CRS - Painted CRI: 80+ CCT: 3500K, 4000K & 5000K Lumens: 055L, 070L, 100L, 120L, 180L & 240L Voltage: UNV - 120-277V Lens: P13 - 0.125" Prismatic Acrylic P46 - 0.187" Clear Polycarbonate

**Order Key**

**EXAMPLE: VRUI2X2A/PLED840K070LUNV-P82/P45**



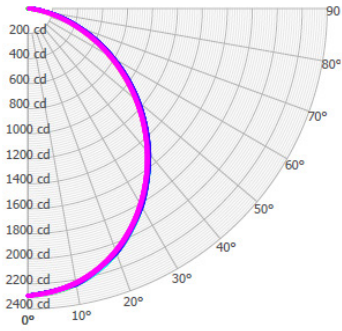
Note: Maximum lens thickness combined is .625"

Performance Data		
Size	Nominal Lumens	Watts
1x4 2x2	3500	33
	5500	53
	7000	70
	10000	99
2x4	5500	47
	7000	61
	10000	82
	12000	101
	18000	146
	24000	201

Project:	Catalog:	Type:
Notes:		

**Photometrics**

IES File: **VRUI-2X2-LED840K055LUNV-P82P08**  
 Lumens: **5569**  
 Wattage: **52**  
 Efficacy: **107**



**Zonal Lumen Summary**

Zone	Lumens	%Lamp	
0.0° - 30.0°	1723	-43,083.6%	30.9%
0.0° - 40.0°	2764	-69,091.0%	49.6%
0.0° - 60.0°	4646	-116,155.7%	83.4%
0.0° - 90.0°	5569	-139,225.4%	100.0%

**Coefficients of Utilization**

pc	80%			70%			50%		
	70%	50%	30%	70%	50%	30%	70%	50%	30%
<b>pw</b>									
<b>0</b>	119	119	119	116	116	116	111	111	111
<b>1</b>	110	105	101	107	103	99	102	99	96
<b>2</b>	100	93	86	98	91	85	93	87	82
<b>3</b>	92	82	74	89	80	73	85	77	71
<b>4</b>	84	73	65	82	72	64	78	69	62
<b>5</b>	78	65	57	76	64	56	72	62	55
<b>6</b>	72	59	50	70	58	50	67	56	49
<b>7</b>	67	54	45	65	53	45	62	51	44
<b>8</b>	62	49	41	61	48	41	58	47	40
<b>9</b>	58	45	37	57	45	37	54	44	36
<b>10</b>	55	42	34	53	41	34	51	40	33

**Average Luminance Table (cd/m2)  
CP Summary**

	0.00°	45.00°	90.00°
<b>0.00°</b>	6364	6364	6364
<b>45.00°</b>	5202	5147	5232
<b>55.00°</b>	4664	4579	4681
<b>65.00°</b>	3910	3791	3915
<b>75.00°</b>	2659	2559	2780
<b>85.00°</b>	797	1170	1738

Effective Floor Cavity Reflectance: 20%