

Project:	Catalogue #:	Type:
Notes:		

Product Description

The VRSE series by Certolux is a specification-grade LED architectural luminaire for high abuse / vandal resistant applications. The housing is an extruded aluminum construction with die-cast end plates. The polycarbonate lens and tamper resistant fasteners allow this unit to be used in high abuse areas. The luminaire can be ceiling or wall mounted and is suitable for wet locations. Ideal for Schools, Community centers, and Stairwells.

Features

- Unique ADA compliant design
- Extruded aluminum housing
- Standard low voltage dimming (0-10v)
- SPEEDShip in 5 days (limited quantity of 25 units)

5-Day»»

Housing

Heavy gauge marine grade extruded aluminum with die-cast end caps. Includes knockouts for surface conduit and tandem mounting.

Lens

Opal UV stabilized polycarbonate lens. The lens is secured to the housing with four (4) TORX® Head with center pin stainless steel fasteners.

Finish

The luminaire is in a powder painted white finish and offers a high reflectivity coating for improved lighting performance and efficiency.

Electrical

Long life LED's coupled with high efficiency drivers provide quality illumination. Rated to deliver an L80 performance >50,000 hours. The standard driver has a THD of <20%. Standard low-voltage dimming (0-10v, 1%). All electrical components are CSA or UL approved.

Warranty

5 year limited warranty. For complete warranty terms visit:
http://viscor.com/assets/Viscor_LED_Warranty.pdf

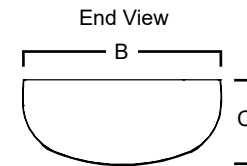
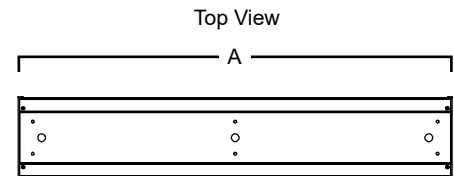
Approvals



Approved to CSA and UL standards for use in wet locations.



Dimensions



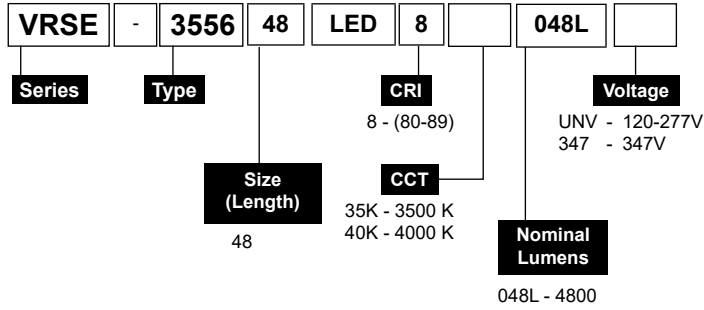
	A	B	C
48	49.13"	9.26"	3.97"

Consult installation guide for exact dimensions.

Project:	Catalogue #:	Type:
Notes:		

Order Key

EXAMPLE: VRSE-355648LED840K048LUNV



Size	Delivered Lumens	Watts
48	4800	53

Other options may be available, consult factory.