

Project:	Catalog:	Type:
Notes:		

### Product Description

The SAFR series by Certolux is a specification-grade, LED recessed flanged rear access IP65, IP66, IC-rated luminaire, for ISO Class 4 Cleanrooms. Ideal for Pharmaceutical manufacturing, Food Processing, Life Sciences and laboratories. NSF/ANSI 2 Food Zone Non-contact and Splash Zone Applications. For use in Wet Locations, Insulated Ceilings.

### Features

- Standard low voltage dimming (0-10v)
- 80+ CRI
- Available in 1x4, 2x2, 2x4
- Top Access

### Feature Options

- Emergency LED Battery Pack
- Red LED array



### Housing

Precision formed, TIG welded, one piece 18 gauge cold rolled steel housing.

### Mounting

Swing arm mounting brackets, with vertical adjustability, are used to mount the fixture against the ceiling. Brackets provide an improved continuous seal to plenum eliminating fixture distortion.

### Door Frame

One piece 60° beveled perimeter door frame, fabricated from 18 gauge, cold rolled steel with TIG welded corners. The door assembly is self centering by means of locating studs. It is retained by stainless steel aircraft cable when opened. Specialized, military grade, flat head, stainless steel, captive fasteners with integral silicone o-rings easily secure door frame to housing through use of floating cage nuts. Silicone o-rings offer superior performance and longer life over comparable teflon bushings. Protective stops prevent the fasteners from being over-tightened and bending the lens door frame. Custom shaped, extruded closed cell silicone gasketing is used throughout to ensure precise, redundant seals between door assembly, housing and plenum. Vulcanized corners ensure continuity of the seal on the frame gasket. Continuous retention-mounts mechanically secure and evenly distribute force against both gasketing and diffuser.

### Lens & Lens Retention

Standard lens is high impact 0.125" thick acrylic lens with diffuse inner layer providing symmetric distribution. Smooth external surface for easy cleaning. Sealed to doorframe with RTV silicone sealant. See order key for other options.

### Finish

White, polyester powder painted housing.

### Electrical

Long life LED's coupled with high efficiency drivers provide quality illumination. Rated to deliver an L80 performance >50,000 hours. The standard driver has a THD of <10%. Standard low-voltage dimming (0-10v, 1%). All electrical components are CSA or UL approved.

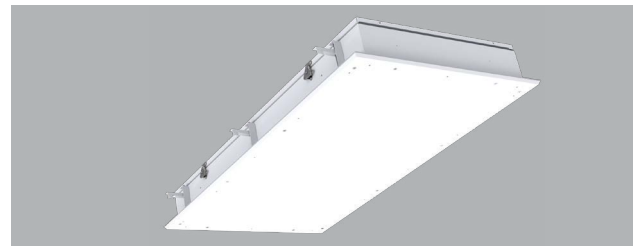
### Warranty

5 year limited warranty. For complete warranty, click here:

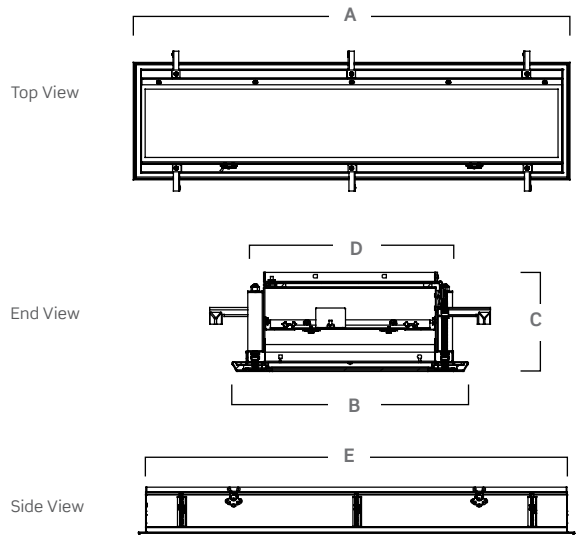


### Approvals

- Approved to CSA and UL standards.
- UL listed for wet locations, insulated ceilings.



### Dimensions



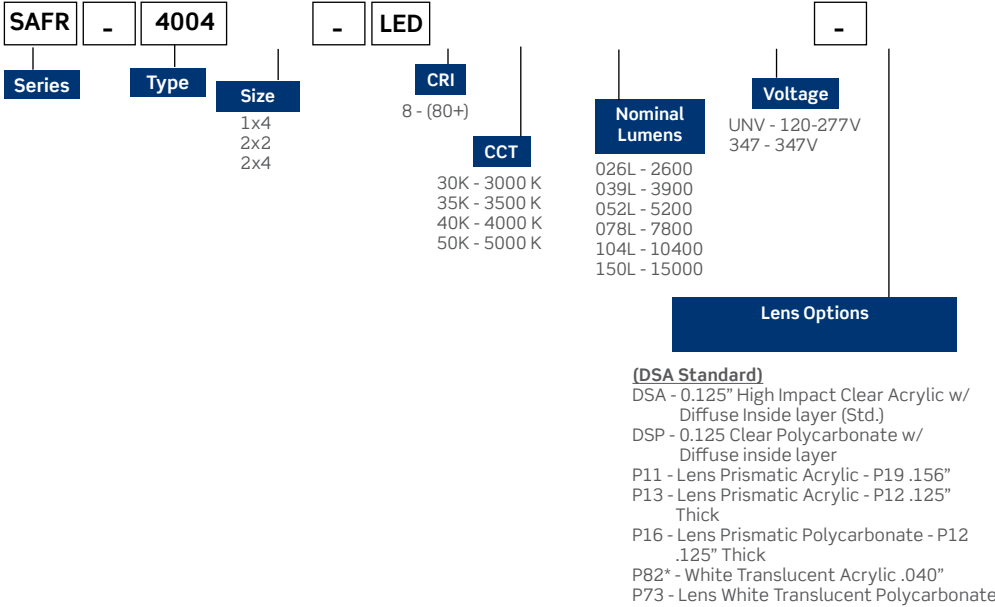
	Dimensions (inch) & Weights				
	A	B	C	D	E
1x4	49.7"	13.7"	5.7"	12"	48"
2x2	25.7"	25.7"	5.7"	24"	24"
2x4	49.7"	25.7"	5.7"	24"	48"

Consult installation guide for exact dimensions.

Project:	Catalog:	Type:
Notes:		

**Order Key**

**EXAMPLE: SAFR-40042x4-LED840K104LUNV-P82P56**



DSA

**Options**

**Driver Options**

- B02 Dimming Addressable Digital (DALI)
- B39 Emergency Lighting Battery Pack - LED

**Packaging Options**

- K0 Bulk Pack/Pallet Packed and/or Wrapped

**Housing Construction Options**

- C38 Housing Aluminum .050 Painted
- C44 Housing SS #304 Painted
- C77 Color Matched Stainless Screws

**Door Frame Options Options**

- Painted CRS is standard
- D3 Door Frame Stainless Steel (#304)
- D9 Door Frame Stainless Steel (#316)
- D10 Door Frame Aluminum .063 Painted
- D17 Door Frame SS (#304) Painted
- D18 Door Frame SS (#316) Painted

**Mounting Options**

- M62 Mounting Swing Arm for 4" Deep Ceiling (Note: Housing Depth increases by 1.5" - for Flange mount only)

**Wiring Options**

- V57 Sealed Wireway 90 degree connector w/10ft Liquid Type Flex 3/14Ga. Wire
- V80 LED Red array - One Row
- V81 LED Red array - Two Rows\*\*

**Approval and Rating Options**

- X5 NSF3- Food Zone Certification (Standard as Splash Zone)

\* Comes with P05 or P56.

\*\* V81 not available in combination with 150L white light source.

Other options may be available, consult factory. Specifications and data subject to change without notice.

Performance Data		
White LED Performance		
Size	Nominal Lumens	Watts
1x4	2600	25
	5200	47
	7800	75
	10400	98
2x2	2600	25
	3900	36
	5200	47
2x4	5200	47
	7800	75
	10400	98
	15000	147

Performance Data			
Red LED Array			
Size	Rows of LED	Lumens	Watts
1x4	1 (V80)	2045	54
2x2	1 (V80)	1020	27
	2 (V81)	2045	54
2x4	1 (V80)	2045	54
	2 (V81**)	4090	108