

MD1IG-4150

LED - Recessed Grid Medical Exam Luminaire

Project:	Catalogue #:	Type:
Notes:		

Product Description

The MD1IG-4150 series by Certolux is a specification-grade, recessed T-Bar, inset door, Asymmetric Exam luminaire. Available in 1x4 configurations. Typically installed in pairs on either side of the patient bed.

Feature Options

- Emergency Battery Pack



Housing

Precision formed, TIG welded, one piece 20 gauge cold rolled steel housing. Welded and PEM studs are used in order to mount components.

Mounting

T-Bar mounted and supplied with tabbed holes for independent chain support.

Reflector

VF1 reflectors are made of specular anodized aluminum with a minimum reflectivity of 95%.

Lens

The lamp compartment is protected by a 0.125" clear acrylic lens. The lens is secured with adjustable Z style brackets with weld studs on housing faceplate. Lens is sealed to the door frame with silicone sealant. Other lens options available. (See product ordering guide).

Door Frame

One piece door frame, fabricated from 18 gauge, cold rolled steel with TIG welded corners. It is retained by stainless steel aircraft cables. Specialized, military grade, flat head, stainless steel, captive fasteners with integral silicone o-rings easily secure door frame to housing through use of floating cage nuts. Silicone o-rings offer superior performance and longer life over comparable teflon bushings.

Door Frame Gasket

The extruded gasket seals the door frame to the housing.

Finish

The luminaire is powder painted matte white finish and offers a high reflectivity coating for improved lighting performance and efficiency. Anti-microbial finish is also available.

Electrical

Long life LED's coupled with high efficiency drivers provide quality illumination. Rated to deliver an L80 performance >50,000 hours. The standard driver has a THD of <10%. Standard low voltage dimming (0-10v,1%). All electrical components are CSA or UL approved. A 1/2" EMT hole is provided for wiring connections.

Warranty

5 year limited warranty. For complete warranty, click here:

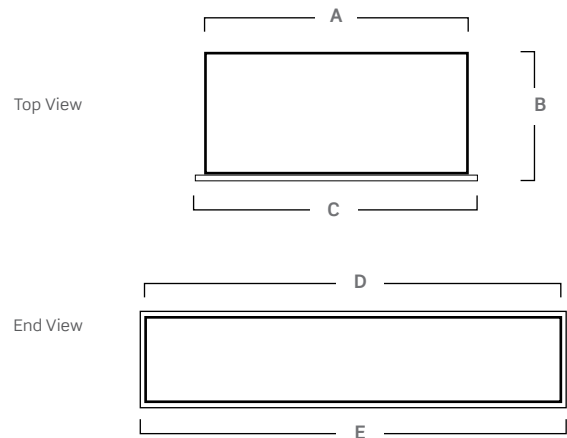


Approvals

- Approved to CSA and UL standards.
- Suitable for Damp Location



Dimensions



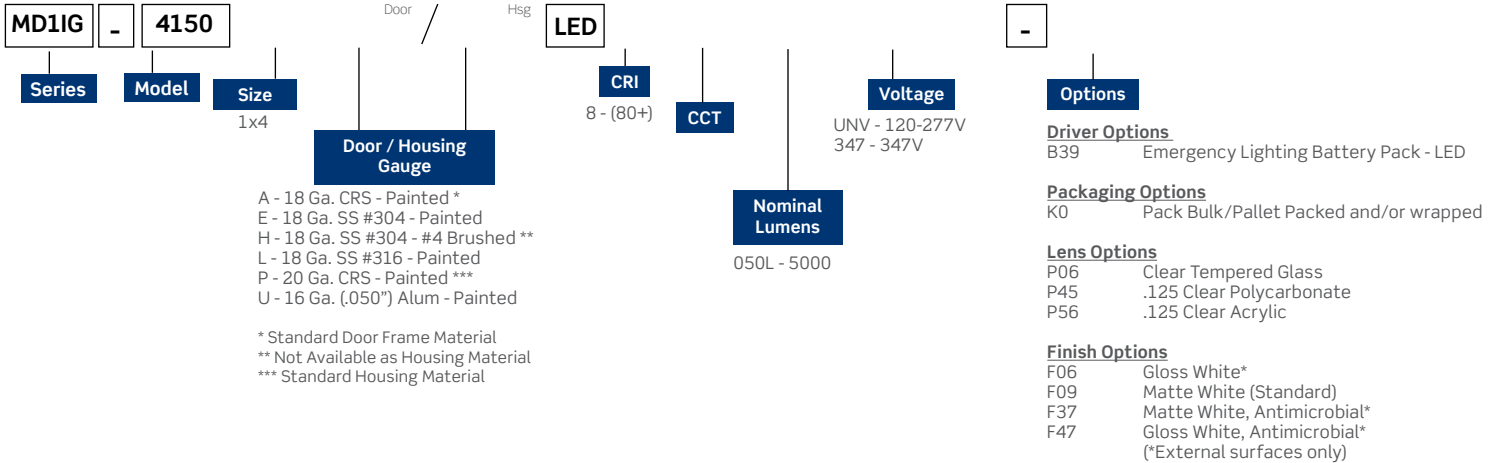
	Dimensions (inch) & Weights				
	A	B	C	D	E
1x4	11"	4.54"	11.75"	47"	47.75"

Consult installation guide for exact dimensions.

Project:	Catalogue #:	Type:
Notes:		

Order Key

EXAMPLE: MD1IG-4150-1X4-LED840K50LUNV-P56



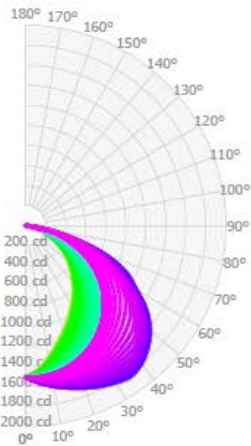
Other options may be available, consult factory. Specifications and data subject to change without notice.

Performance Data		
Size	Nominal Lumens	Watts
1x4	5000	46

Model Numbers relate to specific designs, refer to product photo and dimensions for additional details.

Photometrics

IES File: **MD1IG-4150-1X4-LED835K50LUNV-P56**
 Lumens: **4645**
 Wattage: **52**
 Efficacy: **89**



Zonal Lumen Summary

Zone	Lumens	%Fixture
0.0° - 30.0°	1186	25.5%
0.0° - 40.0°	1981	42.6%
0.0° - 60.0°	3655	78.7%
0.0° - 90.0°	4645	100.0%
0.0° - 110.0°	4645	100.0%
0.0° - 130.0°	4645	100.0%
0.0° - 150.0°	4645	100.0%
0.0° - 170.0°	4645	100.0%
0.0° - 180.0°	4645	100.0%

Coefficients of Utilization

pc	80%			70%			50%		
	pw	70%	50%	30%	70%	50%	30%	70%	50%
0	119	119	119	116	116	116	111	111	111
1	109	104	100	106	102	98	101	98	94
2	99	90	84	96	89	82	91	85	80
3	90	79	71	87	77	70	83	74	68
4	82	70	61	80	68	60	75	66	59
5	75	62	53	73	61	52	69	59	51
6	69	56	47	67	55	46	64	53	45
7	64	50	41	62	50	41	59	48	40
8	60	46	37	58	45	37	55	44	36
9	56	42	34	54	41	33	52	40	33
10	52	39	31	51	38	30	48	37	30

Average Luminance Table (cd/m²)
CP Summary

	0.00°	45.00°	90.00°
0.00°	4221	4221	4221
45.00°	4153	2819	2588
55.00°	4014	2524	2367
65.00°	3609	2175	2122
75.00°	2606	1676	1718
85.00°	614	957	964

Effective Floor Cavity Reflectance: 20%