

Project:	Catalog:	Type:
Notes:		

Product Description

The VRSCS series by Certolux is a specification-grade luminaire for maximum security correctional and vandal resistant applications. Commonly used within inmate cells, this clamshell design has concealed hinges, tamper resistant fasteners, contraband trapping backplate, and security lenses. The sloped sides maximizes impact resistance, and Torq security fasteners prevent unauthorized fixture tampering/penetration. The luminaire is intended for ceiling surface mount applications. Optional ligature resistant construction is available*.

Features

- Concealed hinges
- Standard Torx Security Screws
- Contraband trapping backplate

Feature Options

- Emergency LED battery pack
- Ligature resistant construction
- IP55 & Wet Location



Housing - Outer Clamshell

Precision Die-formed heavy gauge prime cold rolled steel housing formed from single sheet. Seam welded without post-weld grinding for maximum strength. Available in various thickness to meet security requirements. Regressed tamper resistant fasteners resist unauthorized penetration. See lens retention for further details.

Backplate

Die-formed prime cold rolled steel with contraband and blade drop slot to prevent retrieval and increase safety. Embossed mounting system creates a tight surface connection on irregular surfaces. Keyhole slots for only two points, eases installation without increasing hazard. Available in multiple gauges.

Hinge

Full Length concealed piano style hinge with .500" knuckle and .125" pin (Pin is secured to knuckle) welded to door frame and fastened to backplate.

Lens Retention

Lenses captured and secured by continuous V-brackets to housing using 1/4-20 thru-studs spaced no further than 6 inches apart.

Lens

Multiple lens choices available (see product key for options). Specify thickness up to a total of .625" thick. Interior diffusion materials recommended to obscure fixture internal components and provide comfortable low glare illumination.

Finish

5 stage pretreatment, polyester powder coating.


Electrical

Long life LED's coupled with high efficiency drivers provide quality illumination. Rated to deliver an L80 performance >50,000 hours. The standard driver has a THD of <20%. Standard low-voltage dimming (0-10v, 1%).

Listing

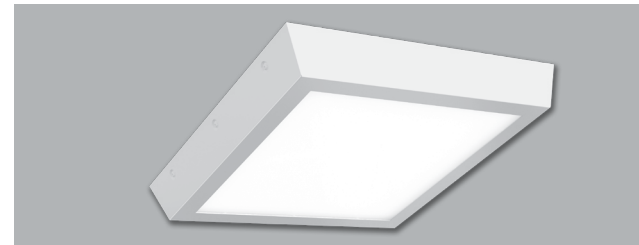
Certified to UL1598 for damp locations. Optional Wet locations available. For ligature resistant construction specify C122 option. * Read important safety instructions that are required to be followed when used in areas high risk.

Warranty

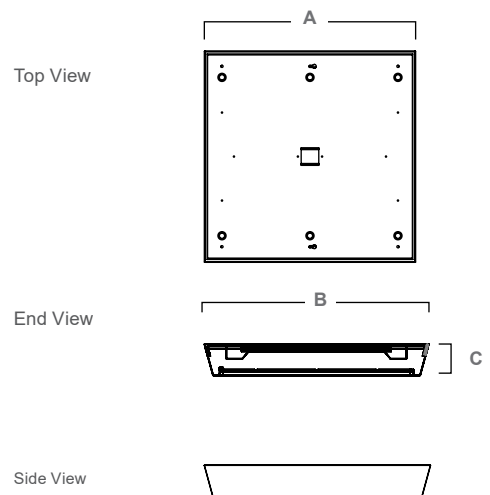
5-year limited warranty. For complete warranty, click here: 

Approvals

- CSA and UL listed.
- Suitable for dry and damp locations.
- RoHS Compliant.



Dimensions



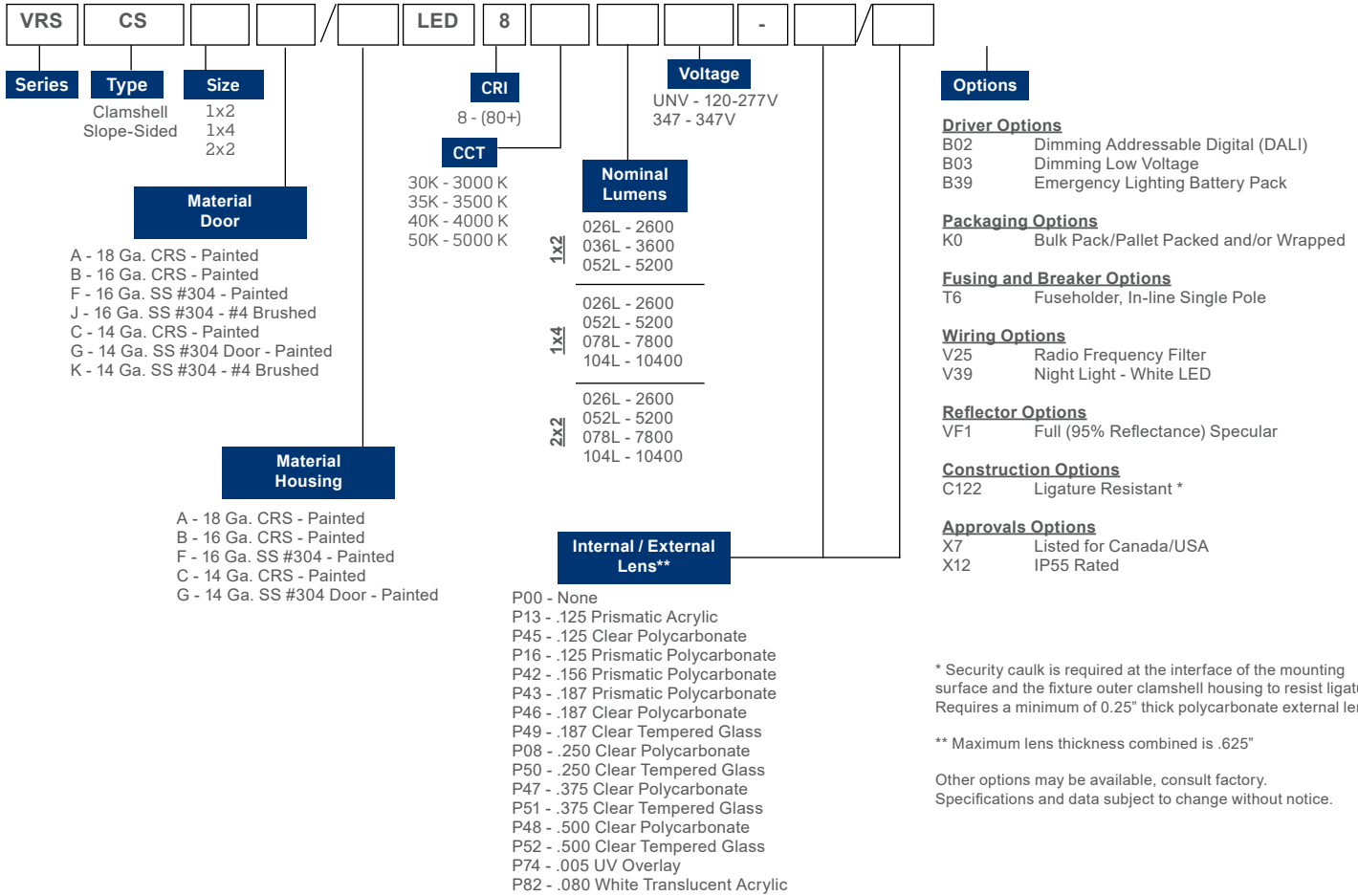
Dimensions (inch)			
Size	A	B	C
1x2	24	12	3.50
1x4	48	12	3.50
2x2	24	24	3.50

Consult the installation guide for exact dimensions.

Project:	Catalog:	Type:
Notes:		

Order Key

EXAMPLE: VRSCS-1x4B/F-LED840K052LUNV



Performance Data				
Size	Nominal Lumens	Delivered Lumens	Watts	Lumens per watt
1x2	2600	2684	26.1	102.9
	3600	3605	35.1	103
	5200	5246	53.4	98.3
1x4	2600	2644	24.3	108.8
	5200	5269	51.1	103.1
	7800	7801	76.4	102.2
	10400	10492	106.7	98.3
2x2	2600	2644	24.3	108.8
	5200	5269	51.1	103.1
	7800	7801	76.4	102.2
	10400	10492	106.7	98.3

* Performance based on 840K at 25°C using standard P47+P82 lens combination.

Project:	Catalog:	Type:
Notes:		

EM Ordering Guide

EM Function	Order Code	Description	Notes
Standard EM	B39	10W EM battery pack	Standard 10W output, 90 minute run time in emergency mode.
High Wattage EM	B39(20W)	20W EM battery pack	Standard 20W output, 90 minute run time in emergency mode.
347V EM	347...B39	8W 347V EM	Fixture part number indicates 347V input voltage.
347 High Wattage EM	347...B39(20W)	20W 347V EM battery pack	Fixture part number indicates 347V input voltage.
Self Testing EM	B39(SD)	10W Self test EM	Self test instructions provided with each fixture. Digital copies available as needed.
Cold Weather	B06...B39	10W Cold Weather EM suitable to -20C	Standard EM pack 0°C minimum temp.
120 Minute EM	B39(2HR)	EM with 120 minute minimum run time	Standard 14W output, 120 minute run time in emergency mode.
Specified EM	B39(xx)	Customer to specify brand, model number and/or feature.	xx Indicates model number of specified by Viscor.