

Project:	Catalogue #:	Type:
Notes:		

Product Description

The MD2-DCR is a unique patient room fixture with a concave diffuse dome lens that provides a separately controlled, high-performance exam and comfortable ambient illumination. The color temperature and color rendering options are separately selectable. The one-piece smooth lens is sealed and easily wiped. An optional low voltage controller is available with dimming or non-dimming functions. Also available with a separate Chart/Night observation light option.

Feature Options

- Fully Diffuse Lens
- Easy to clean surfaces
- Illumination Creates Visual Depth
- Concave Lens

Housing

Die-formed, cold rolled heavy-gauge steel housing assembly. Designed for 9/16" and 15/16" Grid Ceilings. Integral Earthquake clips. Wiring access cover plate and knockouts are provided on back of housing. Polyester powder coated after fabrication.

Lens & Lens Retention

Standard lens; Opal, concave formed acrylic. Smooth external surface for easy cleaning. Retained and supported by hidden torsion springs secured to trim frame.

Gasket Systems

Pressure sensitive acrylic gasket seals trim to lens and to ceiling.

LED

LED board modules are high efficiency and closely regulated to maintain CRI, color consistency, lumen performance, and efficacy. Separately specify CCT, CRI and Lumen choices for ambient and exam modes. Choose from 3000K, 3500K, 4000K, and 5000K color temperatures with a color consistency of 3 SDCM, standard 80 CRI, optional 90 CRI. Lifetime L90 is greater than 60,000 hrs. Modules are field replaceable and commercially available. Tunable White options are also available. Tunable White CCT range is 2700-6500K.

Electrical

The standard electronic driver is constant current, programmable and dimmable to 1% using a 0-10V protocol. High efficiency (>85%) and low THD (<10%). Certified to FCC Part 15, Class A. 120-277Vac or 347Vac, 50/60hz. Optional low voltage controller provides interface to pillow speakers and bed controls. See "Options" for DALI driver choices.

Finish

Trim is finished with a 5 Stage pretreatment and antimicrobial matte white polyester powder coated after fabrication. Antimicrobial matte white as standard. Gloss Antimicrobial white is optional. See "Finish Options".

Installation

Recessed type IC for T-bar Grid and F type (drywall) ceilings. Compatible with 9/16" (NFG), 15/16" & 1" standard grid. Use under a covered structural ceiling as a damp or dry location.

Listings, Certifications and Ratings

ETL listed for recessed type IC damp locations.

Warranty

5 year limited warranty. For complete warranty, click here:

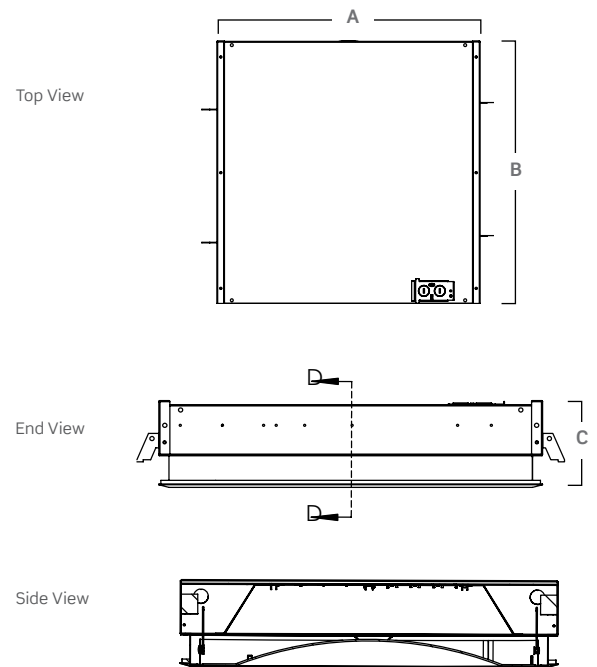


Approvals

- ETL Listed Damp Locations UL1598.



Dimensions



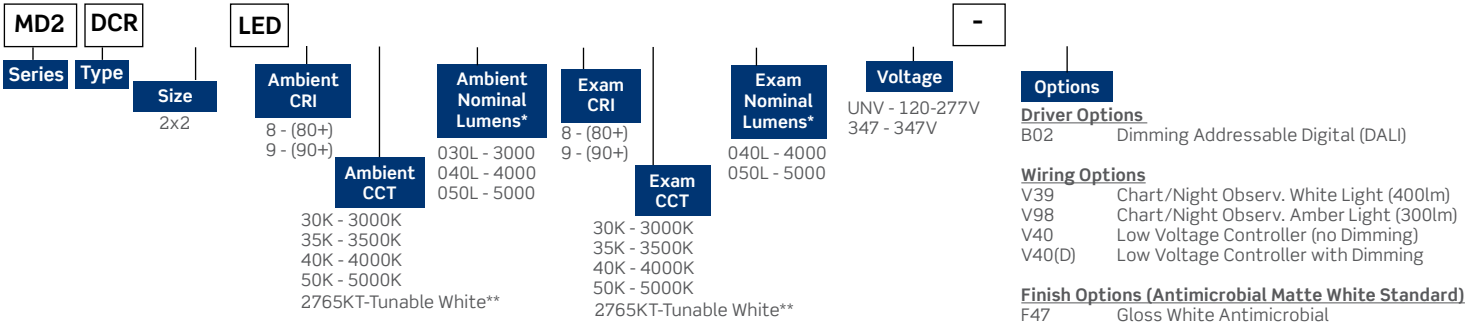
	Dimensions (inch) & Weights		
	A	B	C
2x2	22.75"	22.75"	5.25"

Consult installation guide for exact dimensions.

Project:	Catalogue #:	Type:
Notes:		

Order Key

EXAMPLE: MD2-DCR2X2-LED835K40L-840K50LUNV-V40(D)



* Combined total lumens must be less than or equal to 9100. Ex: MD2-DRC2x2-LED835K30L-840K60LUNV

** When Selecting 2765KT, if a tunable white-compatible control is not selected the luminaire will come standards with two sets of 0-10V wires for dimming and color tuning. For compatible control options please consult factory.

LED Performance Data							
Function	Ambient Order Code	Ambient Lumens	Exam Order Code	Exam Lumens	Total Lumens	Total Watts	Efficacy
MD2-DCR-2x2	030L	3041	040L	4005	7046	75.4	93.4
	030L	3041	050L	5000	8041	88.5	90.9
	040L	4072	040L	4005	8077	87.7	92.1
	040L	4072	050L	5000	9072	100.8	90.0
	050L	5054	040L	4005	9059	100.2	90.4

Lumen values are based on 4000K, 80 CRI performance. See lumen multipliers below for other CCT or CRI performance data.