

MD1-DCR

LED - Patient Room Dished Circular Recessed Ambient Luminaire

Project:	Catalogue #:	Type:
Notes:		

Product Description

The MD1-DCR is a single function patient room fixture with an evenly illuminated concave diffuse dome lens that provides comfortable ambient illumination. The one-piece smooth lens is sealed and easily wiped. An optional low voltage controller is available with dimming or non-dimming functions. Also available with a separate Chart/Night observation light option. See MD2-DCR for added functions.

Feature Options

- Fully Diffuse Lens
- Easy to clean surfaces
- Illumination Creates Visual Depth
- Concave Lens

Housing

Die-formed, cold rolled heavy-gauge steel housing assembly. Designed for 9/16" and 15/16" Grid Ceilings. Integral Earthquake clips. Wiring access cover plate and knockouts are provided on back of housing. Polyester powder coated after fabrication.

Lens & Lens Retention

Standard lens; Opal, concave formed acrylic. Smooth external surface for easy cleaning. Retained and supported by hidden torsion springs secured to trim frame.

Gasket Systems

Pressure sensitive acrylic gasket seals trim to lens and to ceiling.

LED

LED board modules are high efficiency and closely regulated to maintain CRI, color consistency, lumen performance, and efficacy. Choose from 3000K, 3500K, 4000K, and 5000K color temperatures with a color consistency of 3 SDCM, standard 80 CRI, optional 90 CRI. Lifetime L70 is greater than 60,000 hrs. Modules are field replaceable and commercially available. Tunable White options are also available. Tunable White CCT range is 2700-6500K.

Electrical

The standard electronic driver is constant current, programmable and dimmable to 1% using a 0-10V protocol. High efficiency (>85%) and low THD (<10%). Certified to FCC Part 15, Class A. 120-277Vac or 347Vac, 50/60hz. Optional low voltage controller provides interface to pillow speakers and bed controls. See "Options" for DALI driver choices.

Finish

Trim is finished with a 5 Stage pretreatment and antimicrobial matte white polyester powder coated after fabrication. Antimicrobial matte white as standard. Gloss Antimicrobial white is optional. See "Finish Options".

Installation

Recessed type IC for T-bar Grid and F type (drywall) ceilings. Compatible with 9/16" (NFG), 15/16" & 1" standard grid. Use under a covered structural ceiling as a damp or dry location.

Listings, Certifications and Ratings

ETL listed for recessed type IC damp locations.

Warranty

5 year limited warranty. For complete warranty, click here:

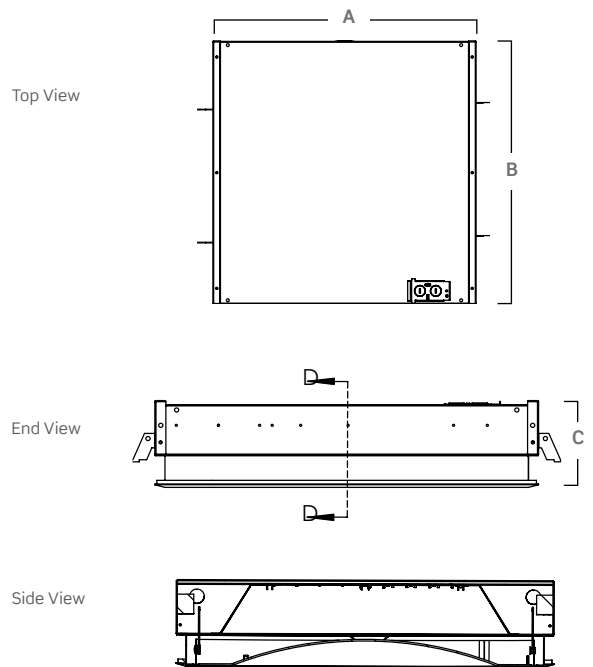


Approvals

- ETL Listed Damp Locations UL1598.



Dimensions



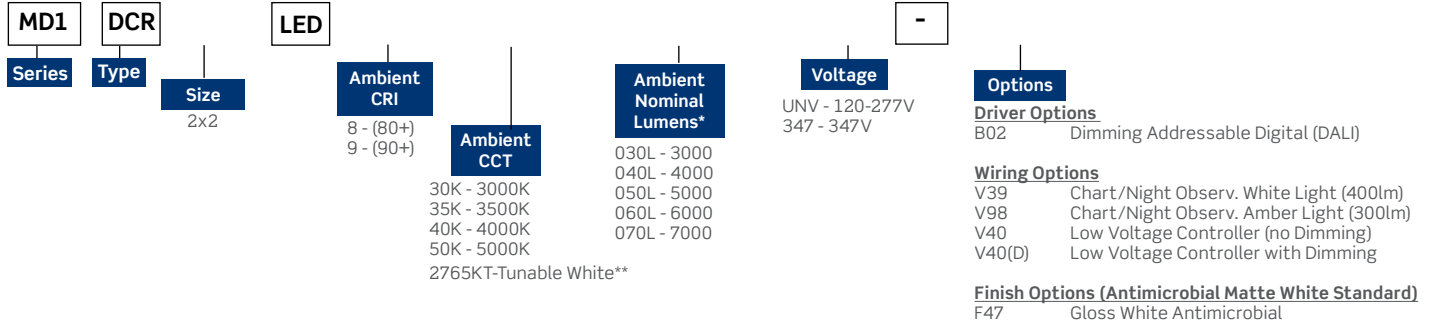
	Dimensions (inch) & Weights		
	A	B	C
2x2	22.75"	22.75"	5.25"

Consult installation guide for exact dimensions.

Project:	Catalogue #:	Type:
Notes:		

Order Key

EXAMPLE: MD1-DCR2X2-LED835K40LUNV



LED Performance Data					
Function	Ambient Order Code	Ambient Lumens	Total Lumens	Total Watts	Efficacy
MD1 DCR-2x2	030L	3041	3041	31.3	97.2
	040L	4072	4072	43.6	93.4
	050L	5054	5054	56.1	90.1
	060L	6042	6042	64.6	93.5
	070L	7013	7013	76.8	91.3

Lumen values are based on 4000K, 80 CRI performance.
See lumen multipliers below for other CCT or CRI performance data.

** When Selecting 2765KT, if a tunable white-compatible control is not selected the luminaire will come standards with two sets of 0-10V wires for dimming and color tuning. For compatible control options please consult factory.