

# MBH1 - Plenum Access

LED - Behavioral Health Recessed Plenum Access Luminaire with Ligature Resistant Doorframe



Project:	Catalog:	Type:
Notes:		

## Product Description

The MBH1 series by Certolux is a recessed luminaire with plenum access that provides access above the ceiling, through the fixture. The fixture is ligature resistant and resists intentional abuse. It comes standard with tamper resistant hardware and durable polycarbonate lensing. The architectural diffuser provides a durable yet non-clinical appearance. The one-piece inset door seals directly to the housing. The mounting is for flanged installations drywall or security ceilings. Most models are found in the Guide and accepted for use in high risk areas. Not for use with T-bar grid ceilings.

## Feature Options

- Tunable White
- BIOS® SkyBlue®

## Housing

Precision formed, seam welded, one-piece, hole-free construction. 20 gauge cold rolled steel standard. Rigid 18 gauge flange with welded and rounded corners for safety. Stainless Steel and Aluminum are available options. 5 Stage pretreatment and gloss white polyester powder coated after fabrication. ASTM B117 1000hr Salt Spray tested.

## Door Frame

Access Door - Sealed interior door provides access to the plenum space. Secured by internal fasteners, hinged by cables to housing.

Inset one-piece patent pending door frame provides ligature resistance. Fabricated from 16 gauge, cold rolled steel with welded corners. Countersunk flat head, stainless steel, Torx™ head tamper resistant captive fasteners with integral silicone o-rings. Door frame is removable, reversible, and hinged by stainless steel aircraft cables. Closed cell gasket seals door frame to housing preventing dust, water and light leaks.

## Lens & Lens Retention

Clear polycarbonate, 0.250" thick room-side lens standard. See options for other thickness choices. Contoured diffuse polycarbonate inner lens provides a comfortable distribution. Smooth external surface for easy cleaning. Secured with continuous lens bracket. Sealed to doorframe with RTV silicone sealant.

## LED

LED board modules are high efficiency and closely regulated to maintain CRI, color consistency, lumen performance, and efficacy. Select from 3000K, 3500K, 4000K, and 5000K color temperatures with a color consistency of 3 SDCM, standard 80 CRI, optional 90 CRI. Tunable White CCT range is 2700-6500K. Lifetime L70 is greater than 60,000 hrs. Modules are field replaceable and commercially available. Optional amber and red LEDs arrays available alone or in combination with white LEDs. Tunable White and Bios SkyBlue® options are also available.

## Electrical

The standard electronic driver is constant current, programmable and dimmable to 1% using a 0-10V protocol. High efficiency (>85%) and low THD (<10%). Certified to FCC Part 15, Class A. 120-277Vac or 347Vac, 50/60hz. See "Options" for Lutron™ or DALI driver choices. Internal Emergency Drivers are serviceable from the room side unless otherwise noted.

## Finish

5 Stage pretreatment and gloss white polyester powder coated after fabrication. ASTM B117 1000hr Salt Spray tested. Stainless Steel is available with a choice of brushed #4 polished finish or gloss white polyester powder coated. Matte white or Anti-microbial finishes also available.

## Installation

Flange installation is supported by swing style mounting brackets. Bracket vertical range is 1.3-2.9 inches. Not for use with T-bar grid ceilings. See ordering key for use with Consult factory for compatibility with non-standard grid systems). Ambient operating temperature: -4°F (-20°C) to 104°F (40°C).

## Listings, Certifications and Ratings

UL listed for wet locations under covered ceiling (CAN & USA, ANSI/UL1598 & UL8750). Recessed Type IC for insulated ceilings. IEC60529 IP65 (Certified dust-tight and resistant to jets of water). The full assembly is tested to exceed the rating of IK10 for impact resistance.

## Warranty

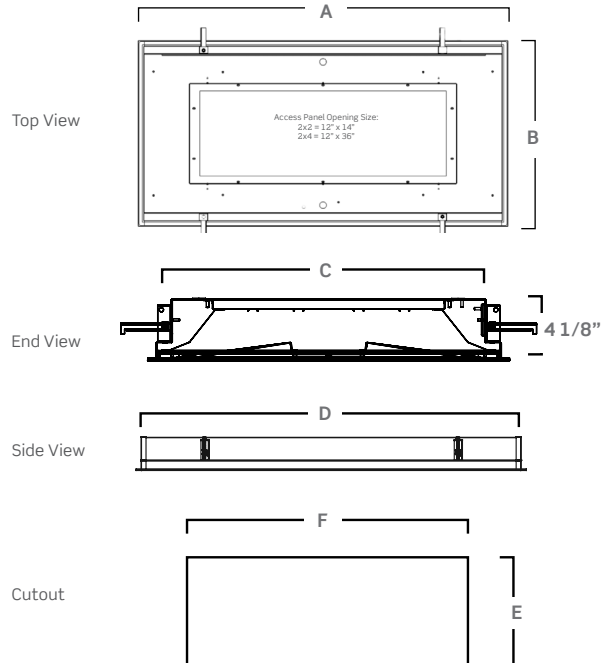
5 year limited warranty. For complete warranty,



## Approvals



## Dimensions



	Dimensions (inch) & Weights						Weight
	A	B	C	D	E	F	
2x2	23.75	23.75	22.69	22.88	22.69	22.88	35 lbs.
2x4	47.75	23.75	22.69	46.75	22.69	46.75	61 lbs.

Consult installation guide for exact dimensions.

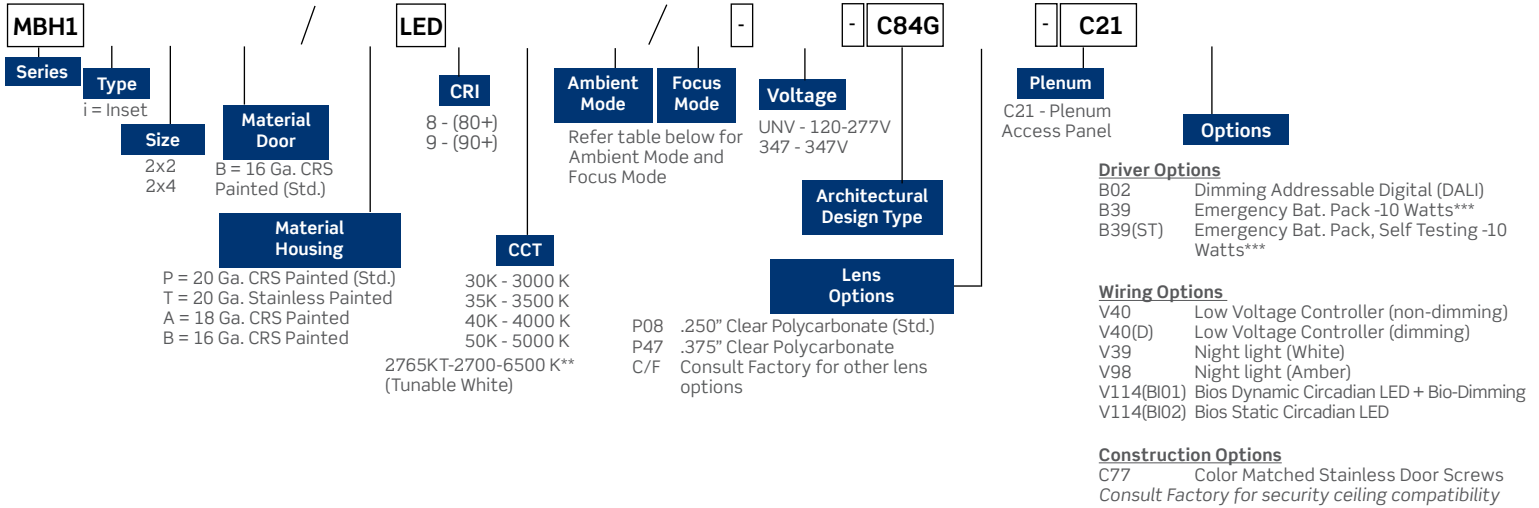
# MBH1 - Plenum Access

LED - Behavioral Health Recessed Plenum Access Luminaire with Ligature Resistant Doorframe

Project:	Catalog:	Type:
Notes:		

**Order Key**

**Example: MBH1i2x4B/P-LED840K45/80L-UNV-C84G-P08**



Size	Ambient Mode			Focus/Cleanup Mode			Total Lumens	Total Watts
	Order Code	Lumens	Watts	Order Code	Lumens	Watts		
2x2	30L*	3000	27	-	-	-	3000	27
	30L	3000	27	60L	5999	52	8999	79
2x4	45L*	4500	40	-	-	-	4500	40
	45L	4460	40	45L	4460	40	9000	80
	45L	4460	40	80L	8030	73	12490	113

\* For Fixtures without Exam Focus enter "-" in order code cell. Lumen performance based on 0.25" thick outer lens (P08) option

- Options**
- Driver Options**
- B02 Dimming Addressable Digital (DALI)
  - B39 Emergency Bat. Pack -10 Watts\*\*\*
  - B39(ST) Emergency Bat. Pack, Self Testing -10 Watts\*\*\*
- Wiring Options**
- V40 Low Voltage Controller (non-dimming)
  - V40(D) Low Voltage Controller (dimming)
  - V39 Night light (White)
  - V98 Night light (Amber)
  - V114(BI01) Bios Dynamic Circadian LED + Bio-Dimming
  - V114(BI02) Bios Static Circadian LED
- Construction Options**
- C77 Color Matched Stainless Door Screws
  - Consult Factory for security ceiling compatibility
- Finish Options**
- F09 Matte White
  - F37 Matte White Antimicrobial
  - F47 Gloss White Antimicrobial (NSF compliant)
- Accessories**
- M70 Install Frame

\*\* When Selecting 2765KT, if a tunable white compatible control is not selected the luminaire will come standard with two sets of 0-10V wires for dimming and color tuning. For compatible control options please consult factory.

\*\*\* Standard emergency battery pack options are internal and serviced from the room side. The exception is for some 2x2 wattages may have remote battery packs. Consult factory for details regarding 2x2 with emergency pack options.



Focus



Ambient



Night Light