

**LCOM INSTALLATION INSTRUCTION
FOR ROW MOUNTING
ERP: IIS00152
03-05-2019 Rev1.0**

NOTES

- Installation should be completed by an individual familiar with the construction and operation of the luminaire.
- Installation of luminaire must be in accordance with nation and local building and electrical codes.
- Carefully read and follow all warnings and instructions before installing or servicing the luminaire.
- Instructions do not cover all details and all possible product configurations
- Do not restrict luminaire ventilation.
- Ensure LED luminaire is not covered with material that will prevent convection or conduction cooling.
- Do not exceed luminaire's maximum ambient temperature.
- Ensure LED luminaire has the correct polarity before installation.
- These products have maximum rated output voltage that exceeds the voltage limits that cannot be accessible based on voltage restrictions for Class 2 circuits in Canadian Electrical Code. This output complies with the definition of Class 2 per Canadian Electrical Code. This product complies with this requirement since the installation instruction requires installation in restricted access area.
- Do not mount the luminaire to ceiling if convenience outlet option is provided.
- Do not use the luminaire housing as junction box cover unless the housing width is wider than the junction box.

WARNINGS

Electric shock:

- Disconnect or turn off power before installing or servicing luminaire.
- All electrical wiring to be completed by a qualified licensed electrician in accordance with local and National/Canadian Electrical Code.
- Ensure supply voltage corresponds with the correct ballast/driver voltage.
- Avoid exposing wiring to metal edges and sharp objects.
- Ensure that the luminaire is properly grounded to prevent electric hazards.

Fire:

- Keep flammable and combustible materials away from the light source and/or lens.
- Use correctly rated supply conductors as indicated by product labeling.

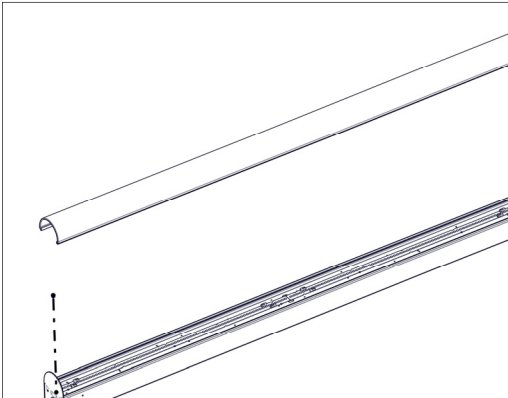
Burn:

- Allow luminaire to cool before handling luminaire.

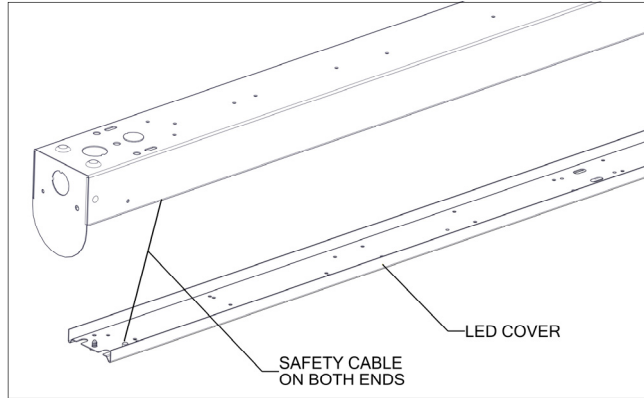
Personal Injury:

- Wear safety glasses and gloves when handling the luminaire to avoid physical injury.
- Avoid direct eye contact with light source.
- Always support the weight of the luminaire.

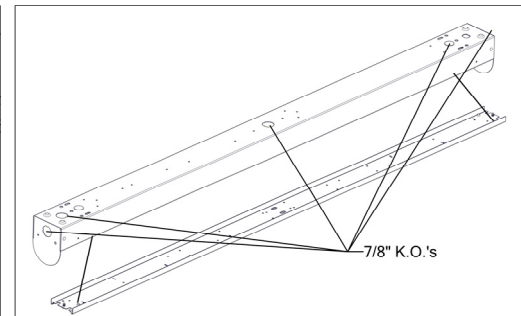
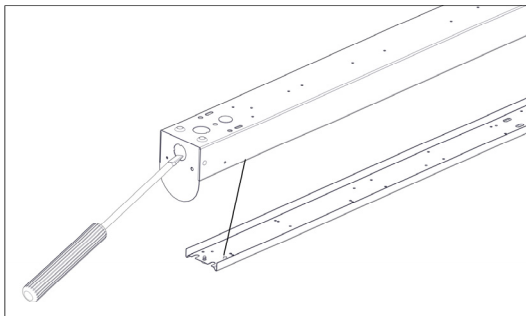
Manufacturer is not responsible for any injuries due to the improper installation or handling of its products.



1. Remove Lens from housing and keep in safe area from damage. Remove the two #8-18 fasteners for the LED cover from each end.



2. LED cover is held in place by the safety cable for ease of installation while preparing for row mount.



3. Punch out appropriate 7/8" K.O., route wire in preparation for the next luminaire.

Cont'd on next page

**LCOM INSTALLATION INSTRUCTION
FOR ROW MOUNTING
ERP: IIS00152
03-05-2019 Rev1.0**

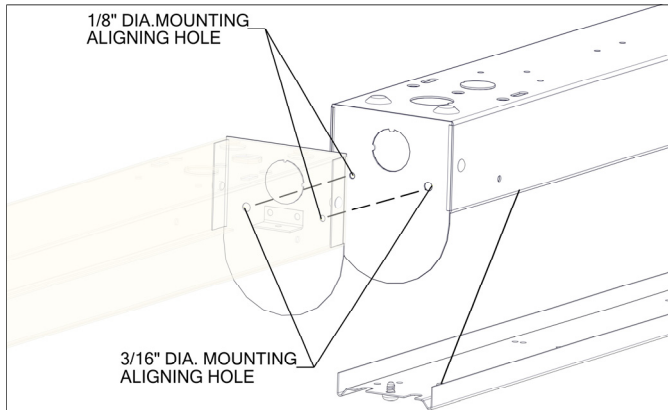
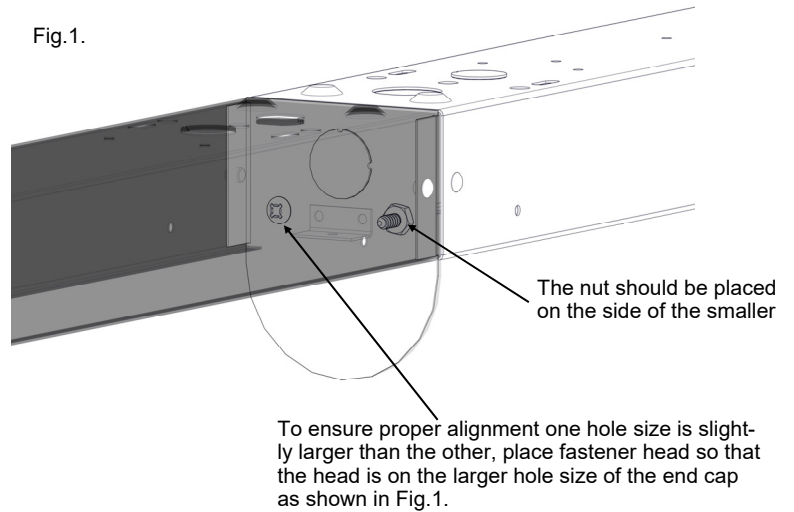
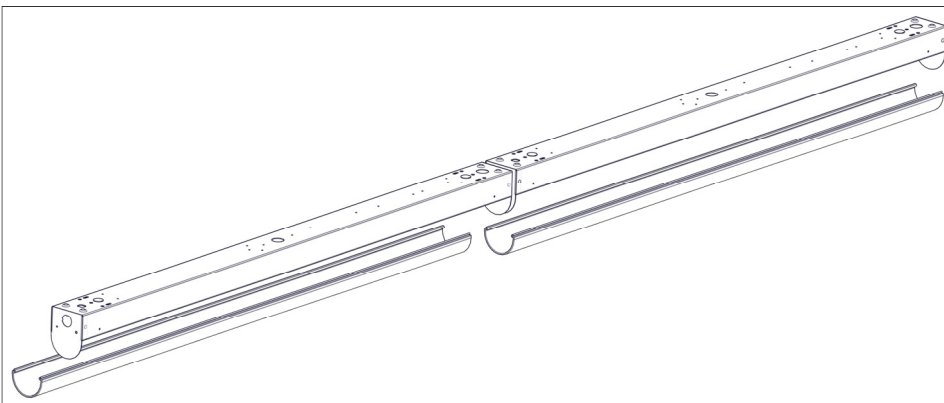


Fig.1.



4. Butt up next luminaire to the starting unit and align with the aid of the mounting holes located on the end caps. Make electrical connections; white wires (neutral) together, black wire together. Ground luminaire to ground screw.



5. Follow the above steps in reverse order for reassembly.