

NOTES

- Installation should be completed by an individual familiar with the construction and operation of the luminaire.
- Installation of luminaire must be in accordance with nation and local building and electrical codes.
- Carefully read and follow all warnings and instructions before installing or servicing the luminaire.
- Instructions do not cover all details and all possible product configurations
- Do not restrict luminaire ventilation.
- Ensure LED luminaire is not covered with material that will prevent convection or conduction cooling.
- Do not exceed luminaire's maximum ambient temperature.
- Ensure LED luminaire has the correct polarity before installation.
- This product has maximum rated output of 55Vdc. This output complies with the definition of Class 2 per Canadian Electrical Code. This output cannot be accessible based on maximum voltage restrictions for Class 2 circuits in Canadian Electrical Code. This product complies with this requirement since the installation instruction requires installation in restricted access area.
- Do not mount the luminaire to ceiling if convenience outlet option is provided.
- Do not use the luminaire housing as junction box cover unless the housing width is wider than the junction box.

WARNINGS

Electric shock:

- Disconnect or turn off power before installing or servicing luminaire.
- All electrical wiring to be completed by a qualified licensed electrician in accordance with local and National/Canadian Electrical Code.
- Ensure supply voltage corresponds with the correct ballast/driver voltage.
- Avoid exposing wiring to metal edges and sharp objects.
- Ensure that the luminaire is properly grounded to prevent electric hazards.

Fire:

- Keep flammable and combustible materials away from the light source and/or lens.
- Use correctly rated supply conductors as indicated by product labeling.

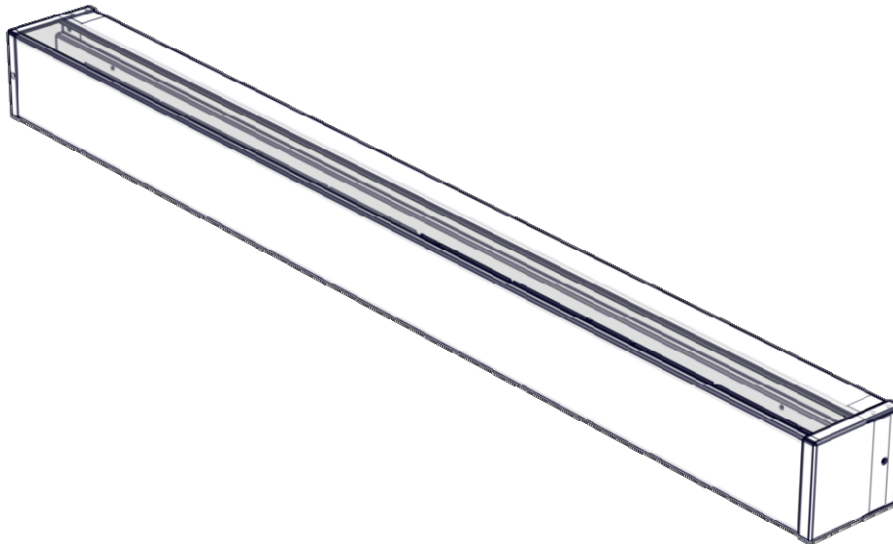
Burn:

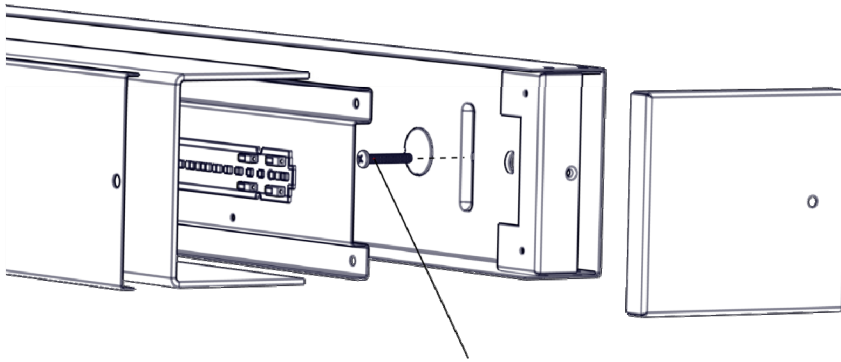
- Allow luminaire to cool before handling luminaire.

Personal Injury:

- Wear safety glasses and gloves when handling the luminaire to avoid physical injury.
- Avoid direct eye contact with light source.
- Always support the weight of the luminaire.

Viscor Inc. is not responsible for any injuries due to the improper installation of handling of its products.





Mounting hardware (2) - by others.
One (1) required on each side of mounting offsets. Min fastener length: 1 1/2"

1. Carefully remove luminaire from packaging.
2. Remove end caps on standard unit.
3. Remove lens from luminaire.
4. Remove wire way cover from luminaire.
5. Determine the location of the junction box and remove the corresponding K.O. on the luminaire and install any strain relief connector (by others) as required by local electrical codes.
6. Pull electrical supply wires through the knockout hole and into the luminaire.
7. Mount the luminaire to the mounting surface (ceiling/wall) using wood screws or appropriate hardware (by others). If no joists are present, use toggle bolts (by others).
8. Make the necessary wiring connections and ground connections in accordance with local electrical and /or building codes.
9. Re-install wire way cover.
10. Re-install lens for standard unit.

For Continuous Row Mounting:

Remove end plates at middle section of the luminaire. Pass any electrical wiring necessary to connect both units by way of the raceway space. Butt up both units and fasten with Joiner band and secure with #8-32 fasteners provided.

