

# LGH MOUNTING 45 DEGREE

## KIT00323

ERP# IIS00368

Date: Jan 26, 2023

### WARNINGS

#### Electric shock:

- Disconnect or turn off power before installing or servicing luminaire.
- All electrical wiring to be completed by a qualified licensed electrician in accordance with local and National/Canadian Electrical Code.
- Ensure supply voltage corresponds with the correct ballast/driver voltage.
- Avoid exposing wiring to metal edges and sharp objects.
- Ensure that the luminaire is properly grounded to prevent electric hazards.

#### Fire:

- Keep flammable and combustible materials away from the light source and/or lens.
- Use correctly rated supply conductors as indicated by product labeling.

#### Burn:

- Allow luminaire to cool before handling luminaire.

#### Personal Injury:

- Wear safety glasses and gloves when handling the luminaire to avoid physical injury.
- Avoid direct eye contact with light source.
- Always support the weight of the luminaire.

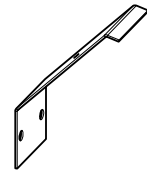
### KIT00323

45 Degree Bracket for LGH

### PARTS INCLUDED

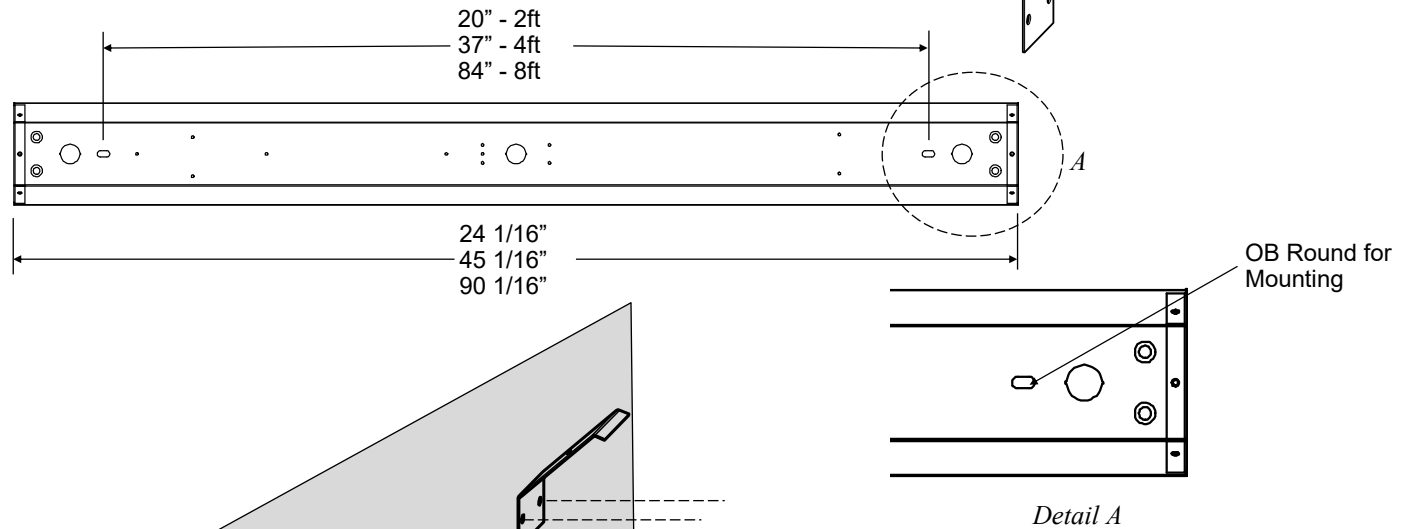


Part no. HAR00069  
(2 pcs.)



Part no. MIS05396  
(2 pcs.)

#### Mounting Location



### INSTRUCTIONS

1. Fasten the brackets to the wall at locations indicated (hardware by others).

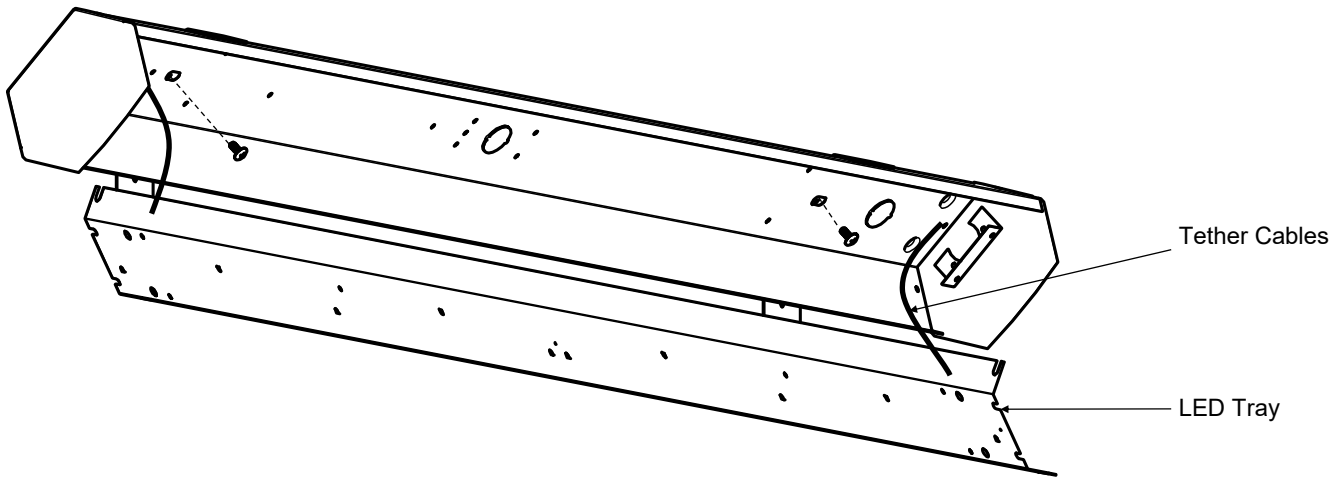
Install fasteners (by other)

# LGH MOUNTING 45 DEGREE

**KIT00323**

ERP# IIS00368

Date: Jan 26, 2023



2. Remove lens, remove LED tray and let hang by tethers..
3. Use screws provided and fasten fixture to brackets through OB holes.
4. Make necessary wiring connections according to local electrical codes.
5. Re-install LED tray and lense.

