

**NOTES**

- Installation should be completed by an individual familiar with the construction and operation of the luminaire.
- Installation of luminaire must be in accordance with national and local building and electrical codes.
- Carefully read and follow all warnings and instructions before installing or servicing the luminaire.
- Instructions do not cover all details and all possible product configurations
- Do not restrict luminaire ventilation.
- Ensure LED luminaire is not covered with material that will prevent convection or conduction cooling.
- Do not exceed luminaire's maximum ambient temperature.
- Ensure LED luminaire has the correct polarity before installation.
- These products have maximum rated output voltage that exceeds the voltage limits that cannot be accessible based on voltage restrictions for Class 2 circuits in Canadian Electrical Code. This output complies with the definition of Class 2 per Canadian Electrical Code. This product complies with this requirement

**WARNINGS**

**Electric shock:**

- Disconnect or turn off power before installing or servicing luminaire and test that power is off.
- All electrical wiring to be completed by a qualified licensed electrician in accordance with local and National/Canadian Electrical Code.
- Ensure supply voltage corresponds with the correct ballast/driver voltage.
- Avoid exposing wiring to metal edges and sharp objects.
- Ensure that the luminaire is properly grounded to prevent electric hazards.
- Before powering up fixture, perform appropriate testing to ensure the fixture is properly grounded.

**Fire:**

- Keep flammable and combustible materials away from the light source and/or lens.
- Use correctly rated supply conductors as indicated by product labeling.

**Burn:**

- Allow luminaire to cool before handling luminaire.

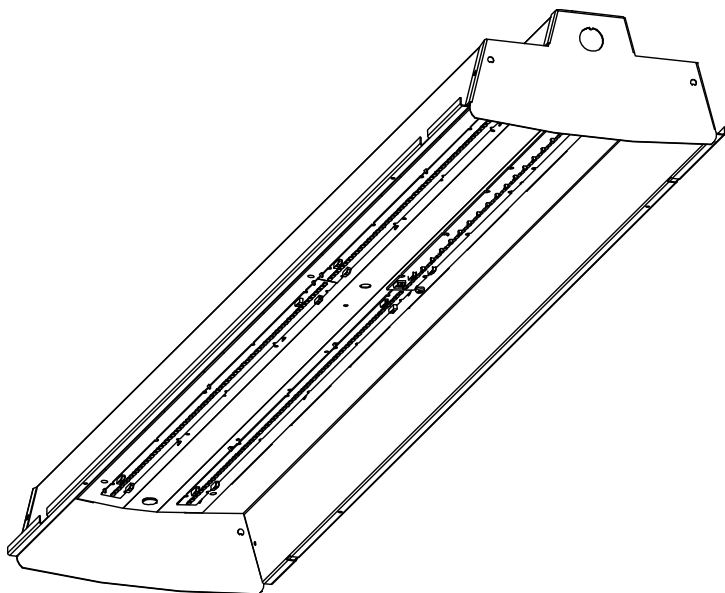
**Personal Injury:**

- Wear safety glasses and gloves when handling the luminaire to avoid physical injury.
- Avoid direct eye contact with light source.
- Always support the weight of the luminaire.

**Intended Use:**

- Certain airborne contaminants can diminish integrity of acrylic and/or polycarbonate.
- Certain airborne contaminants may also adversely affect the functioning of LEDs and other electronic components, depending on various factors such as concentrations of the containments, ventilation, and temperature at the end-user location.
- Failure due to the effect of contaminants is not covered under our standard terms of warranty.

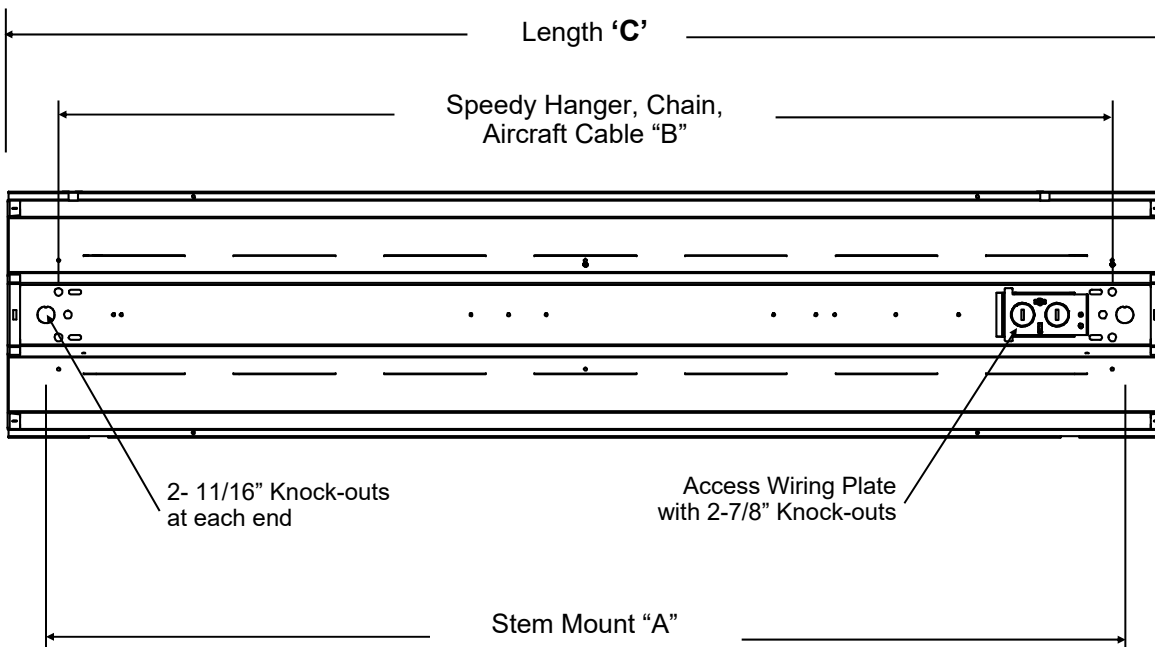
Manufacturer is not responsible for any injuries due to the improper installation or handling of its products.



Mounted Accessories (Ordered Separately)	
KIT00001	Chain Set (2) 4ft w/ S-hooks.M10
KIT00002	Speedy Hangers (2).M23
KIT00003	Stem & Canopy Set 3/8"IP (2) 4ft.M26
KIT00004	Aircraft "Y" Cable (10Ft) with Adjustable Grip (2).M36
KIT00027	Aircraft "Y" Cable (5Ft) With Adjustable Coupler, 6-Ft Cord Set & Canopy Kit (2)

Size	'A' Stem Mount	'B' Speedy Hanger, Chain, Aircraft Cable	'C' Length
48	43"	42"	46 1/16"
96	89	88	92 1/16"

**SUSPENDED MOUNT**



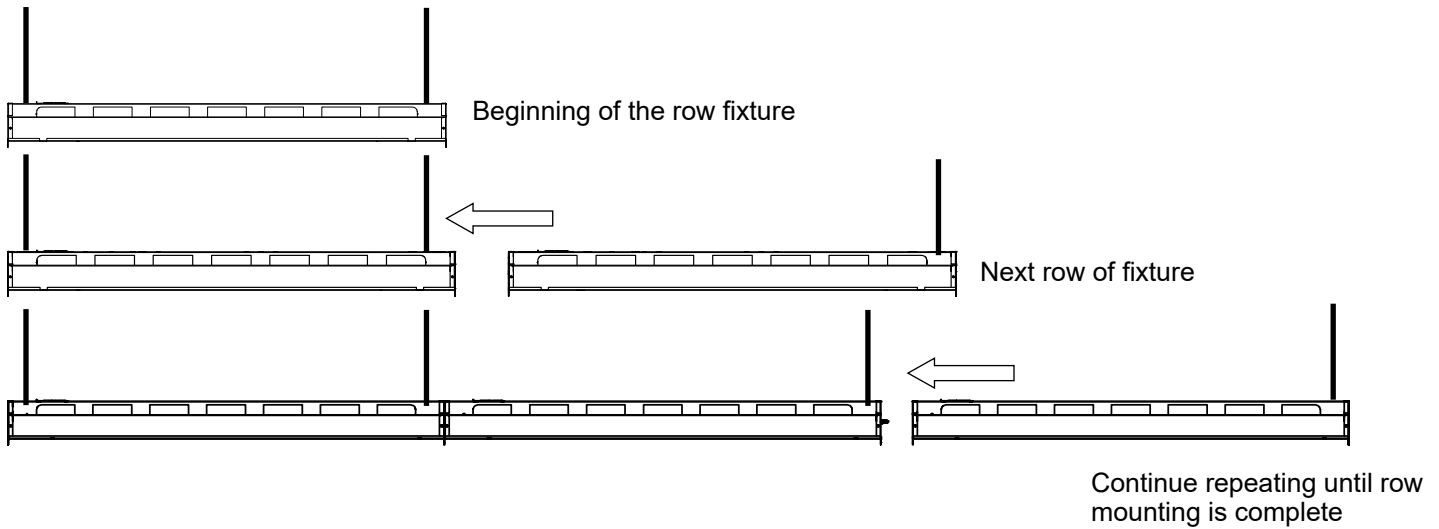
**Instructions for Suspended Mounting:**

1. Use suitable mounting hardware (see mounting accessories on spec sheet) to make connection to ceiling by means of chain or aircraft cable.
2. Punch out knock-out at preferred side and make the necessary wiring connections and ground connections in accordance with local electrical and /or building codes.

**Instructions for Stem Mount:**

1. Use KIT0003 or suitable stem kits, consult with factory (see mounting accessories on spec sheet) to make connection to ceiling by means of mounting for 11/16", 1/2" or 3/8" threaded pipe (Stem not Included).
2. Use access plate on back of fixture, punch out knock-out at preferred side and make the necessary wiring connections and ground connections in accordance with local electrical and /or building codes.

Instructions for Row Mounting:



Step 1. Disconnect power.

Step 2. Hang the beginning of the row fixture if inserting air craft cables through cable grippers. Adjust suspension height as required, and level the fixture. If using stem and canopy kit, punch out 11/16" knockout at each end and fasten the threaded stem rod.

Step 3. Hang the next fixture and connect to the open end of previously mounted fixture. Punch out 7/32" (0.218") knockouts on endplate and use #10 screw with washer and locknut with nut on the inside of fixture. (Hardware by others).(Fig. 1).

Step 4. Make wiring connections between the luminaires and ground connections in accordance with local electrical and/or building codes.

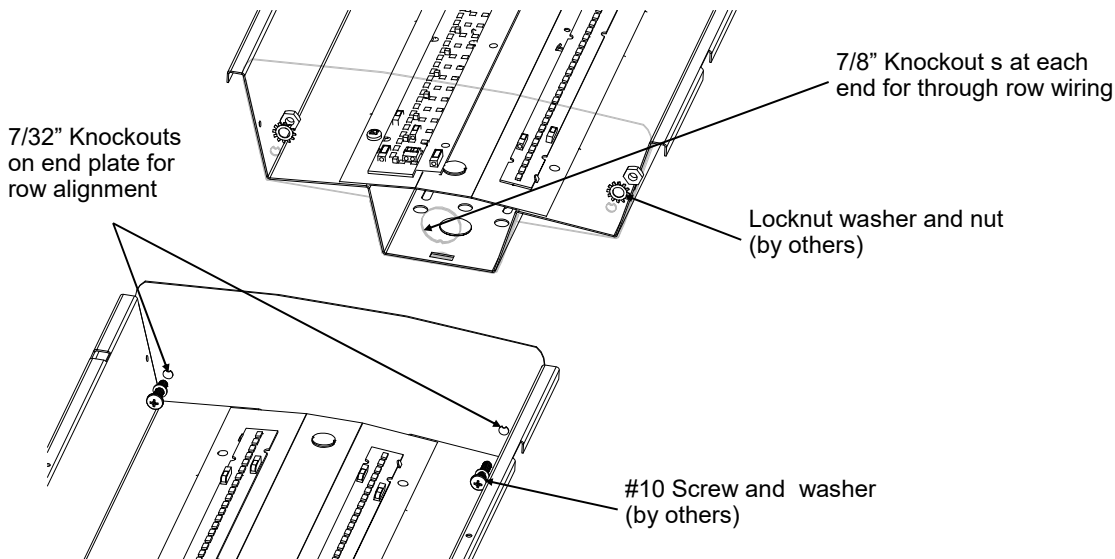


Fig. 1