

NOTES

- Installation should be completed by an individual familiar with the construction and operation of the luminaire.
- Installation of luminaire must be in accordance with national and local building and electrical codes.
- Carefully read and follow all warnings and instructions before installing or servicing the luminaire.
- Instructions do not cover all details and all possible product configurations
- Do not restrict luminaire ventilation.
- Ensure LED luminaire is not covered with material that will prevent convection or conduction cooling.
- Do not exceed luminaire's maximum ambient temperature.
- Ensure LED luminaire has the correct polarity before installation.
- These products have maximum rated output voltage that exceeds the voltage limits that cannot be accessible based on voltage restrictions for Class 2 circuits in Canadian Electrical Code. This output complies with the definition of Class 2 per Canadian Electrical Code. This product complies with this requirement

WARNINGS

Electric shock:

- Disconnect or turn off power before installing or servicing luminaire and test that power is off.
- All electrical wiring to be completed by a qualified licensed electrician in accordance with local and National/Canadian Electrical Code.
- Ensure supply voltage corresponds with the correct ballast/driver voltage.
- Avoid exposing wiring to metal edges and sharp objects.
- Ensure that the luminaire is properly grounded to prevent electric hazards.
- Before powering up fixture, perform appropriate testing to ensure the fixture is properly grounded.

Fire:

- Keep flammable and combustible materials away from the light source and/or lens.
- Use correctly rated supply conductors as indicated by product labeling.

Burn:

- Allow luminaire to cool before handling luminaire.

Personal Injury:

- Wear safety glasses and gloves when handling the luminaire to avoid physical injury.
- Avoid direct eye contact with light source.
- Always support the weight of the luminaire.

Intended Use:

- Certain airborne contaminants can diminish integrity of acrylic and/or polycarbonate.
- Certain airborne contaminants may also adversely affect the functioning of LEDs and other electronic components, depending on various factors such as concentrations of the containments, ventilation, and temperature at the end-user location.
- Failure due to the effect of contaminants is not covered under our standard terms of warranty.

Manufacturer is not responsible for any injuries due to the improper installation or handling of its products.

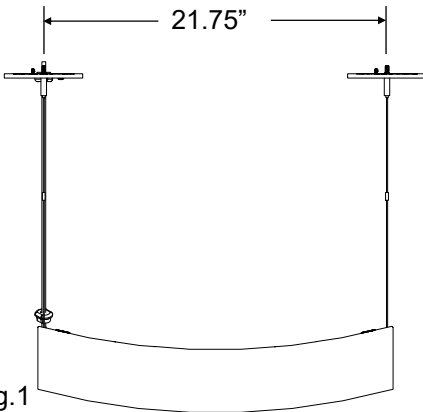


Fig.1

Stand Alone -SLSV/SLSX

Instructions for Stand Alone:

1. Carefully remove luminaire from packaging.
2. Disconnect main power from panel and test that power is off.
3. Install Aircraft Cable using dimensions in Fig.1
4. Determine the location of the junction box and remove the corresponding K.O. from access plate on back of the luminaire and install any strain relief connector (by others) as required by local electrical codes.
5. Pull electrical supply wires through the knockout hole and into the luminaire.
6. Raise the luminaire and insert the end toggles from the aircraft cable to 1/4" diameter holes on back of fixture as shown in Fig.2.
7. Make the necessary wiring connections and ground connections in accordance with local electrical and /or building codes.
8. Turn power on. Installation complete.

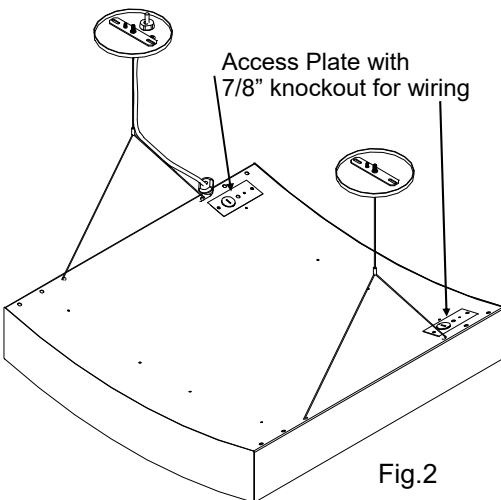
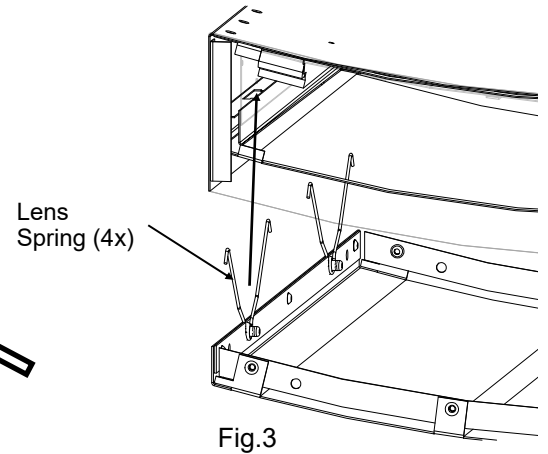
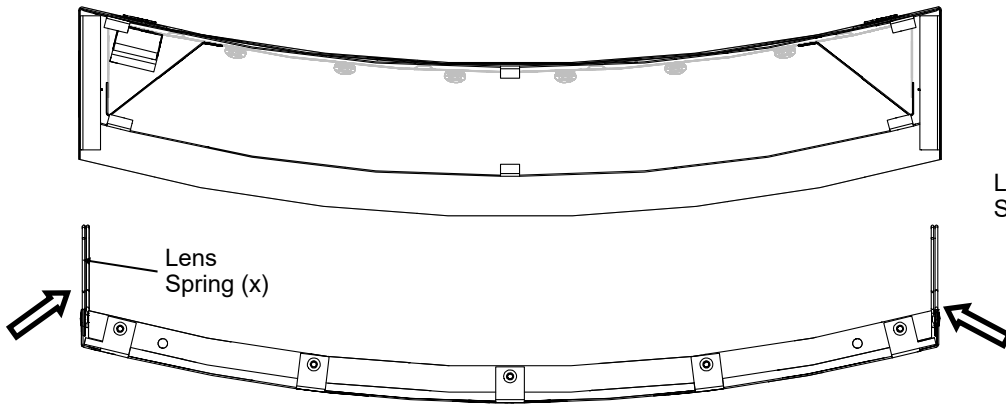


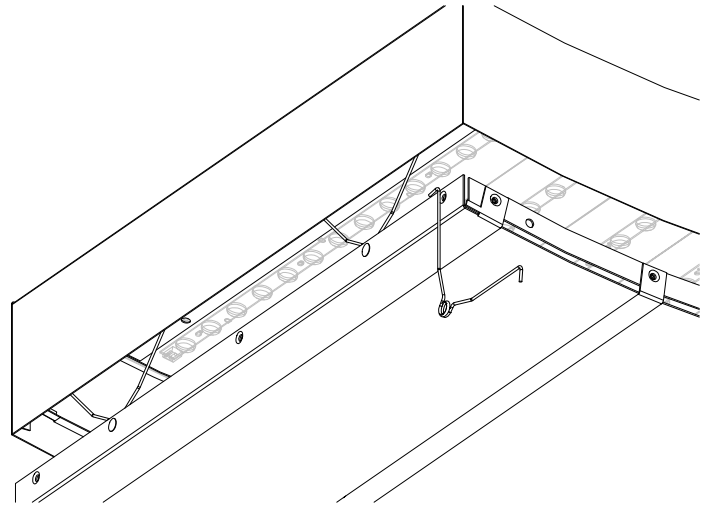
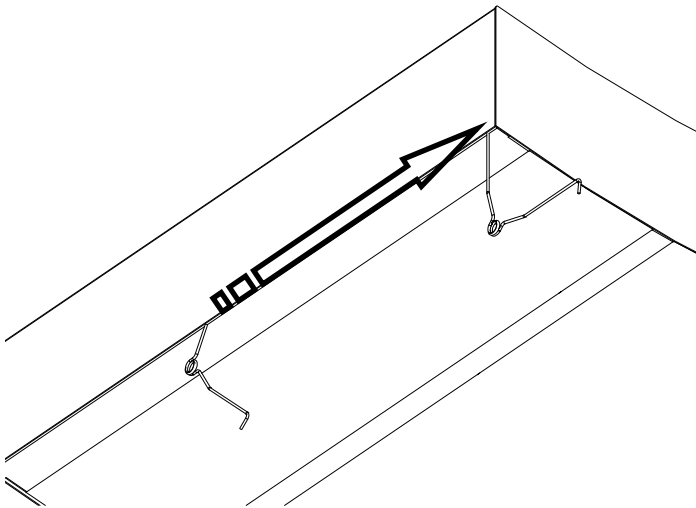
Fig.2

Instructions for Lens Installation



1. Push in gently sides and slide lens up and install springs (4x) to cutout notch as shown in Fig.3.

Instructions for Lens Removal



1. Use extra lens spring provided and begin at center to pry open by placing the spring between housing and lens frame. Slide the spring to the end

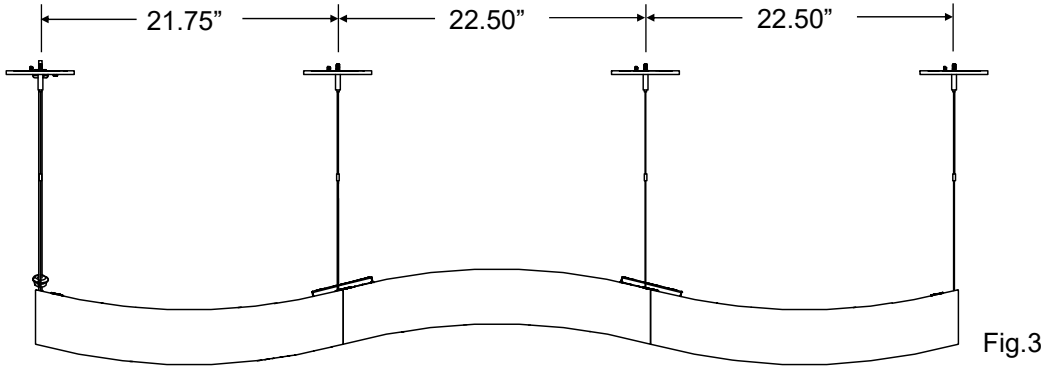


Fig.3

Row Mounting Aircraft Cable Spacing-SLSV/SLSX

Instructions for Row Mounting:

1. Carefully remove luminaire from packaging.
2. Disconnect main power from panel and test that power is off.
3. Install Aircraft Cable using SPACING dimensions in Fig.3
4. Determine the location of the junction box and remove the corresponding K.O. from access plate on back of the luminaire and install any strain relief connector (by others) as required by local electrical codes.
5. Pull electrical supply wires through the knockout hole and into the luminaire.
6. Raise the luminaire and insert the end toggles from the aircraft cable to 1/4" diameter holes on back of fixture as shown in Fig.4.
7. Repeat row-mounting steps until row is complete.
8. Make the necessary wiring connections and ground connections in accordance with local electrical and /or building codes.
9. Turn power on. Installation complete.

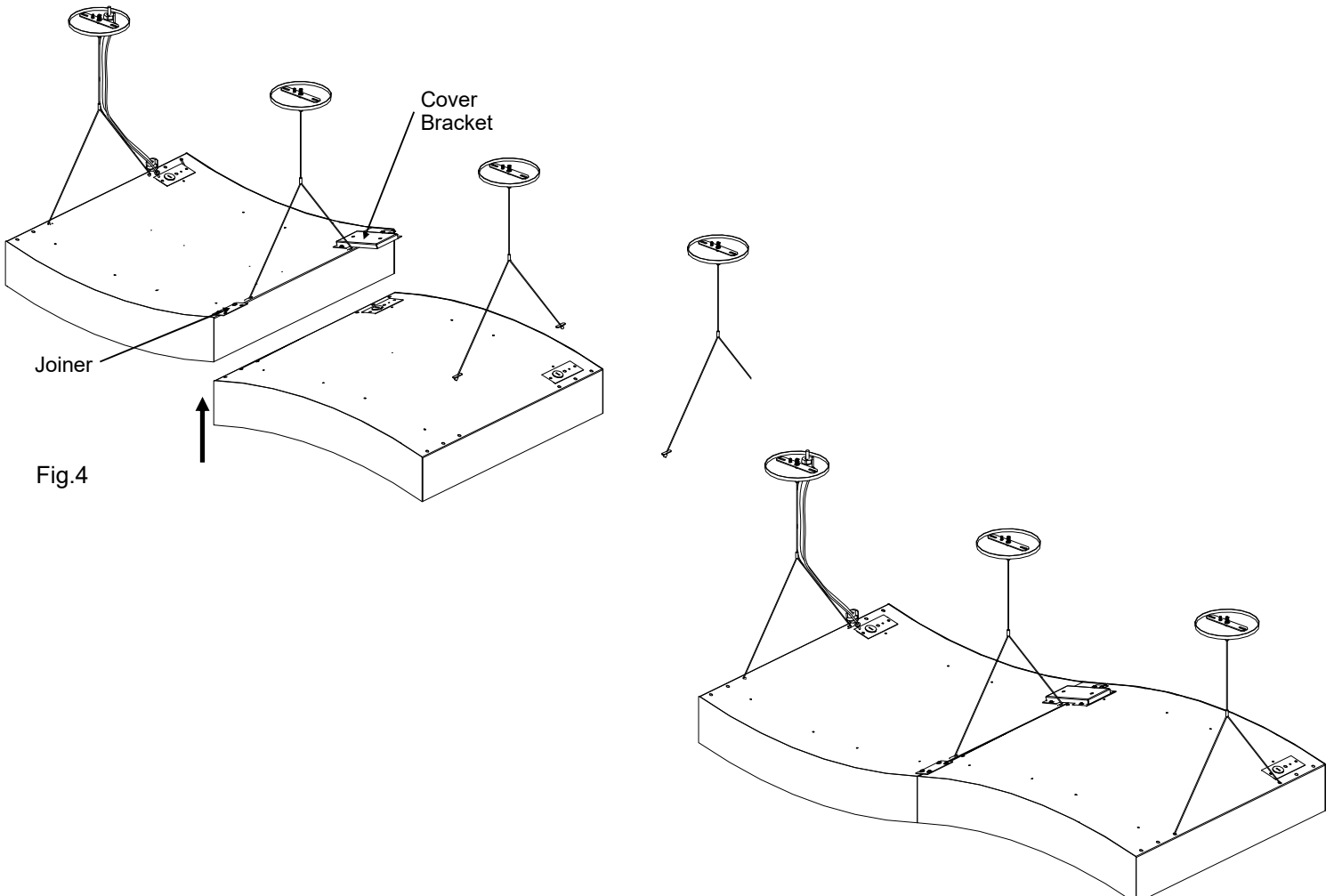


Fig.4