

LMEZ2/3-C (Ceiling Surface) Installation Instruction (Applies to any lens variation)

ERP# IIS00367
06/25/2024 Rev 3.0

NOTES

- Installation should be completed by an individual familiar with the construction and operation of the luminaire.
- Installation of luminaire must be in accordance with national and local building and electrical codes.
- Carefully read and follow all warnings and instructions before installing or servicing the luminaire.
- Instructions do not cover all details and all possible product configurations
- Do not restrict luminaire ventilation.
- Ensure LED luminaire is not covered with material that will prevent convection or conduction cooling.
- Do not exceed luminaire's maximum ambient temperature.
- Ensure LED luminaire has the correct polarity before installation.
- These products have maximum rated output voltage that exceeds the voltage limits that cannot be accessible based on voltage restrictions for Class 2 circuits in Canadian Electrical Code. This output complies with the definition of Class 2 per Canadian Electrical Code. This product complies with this requirement since the installation instruction requires installation in restricted access area.
- For luminaires equipped with EM (Battery Packs), additional wires may need to be routed through luminaire (by others).

WARNINGS

Electric shock:

- Disconnect or turn off power before installing or servicing luminaire.
- **Fixture should ONLY be powered on with access plate installed in fixture.**
- All electrical wiring to be completed by a qualified licensed electrician in accordance with local and National/Canadian Electrical Code.
- Ensure supply voltage corresponds with the correct ballast/driver voltage.
- Avoid exposing wiring to metal edges and sharp objects.
- Ensure that the luminaire is properly grounded to prevent electric hazards.
- Before powering up fixture, perform appropriate testing to ensure the fixture is properly grounded.

Fire:

- Keep flammable and combustible materials away from the light source and/or lens.

- Use correctly rated supply conductors as indicated by product labeling.

Burn:

- Allow luminaire to cool before handling luminaire.

Personal Injury:

- Wear safety glasses and gloves when handling the luminaire to avoid physical injury.
- Avoid direct eye contact with light source.
- Always support the weight of the luminaire.

Intended Use:

- Certain airborne contaminants can diminish integrity of acrylic and/or polycarbonate.
- Certain airborne contaminants may also adversely affect the functioning of LEDs and other electronic components, depending on various factors such as concentrations of the containments, ventilation, and temperature at the end-user location.
- Failure due to the effect of contaminants is not covered under our standard terms of warranty.

Manufacturer is not responsible for any injuries due to the improper installation or handling of its products.

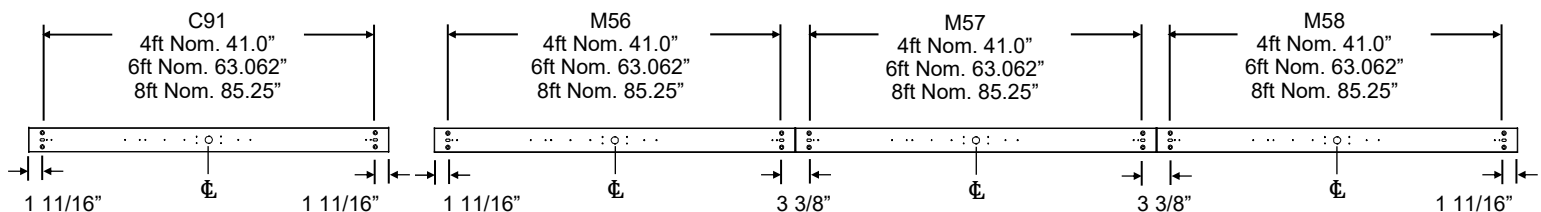
Fixture/Housing Construction

C91 — Standalone unit with two flat finished ends.

M56 — Start unit of configurable lighting system with one flat finished end and one open end.

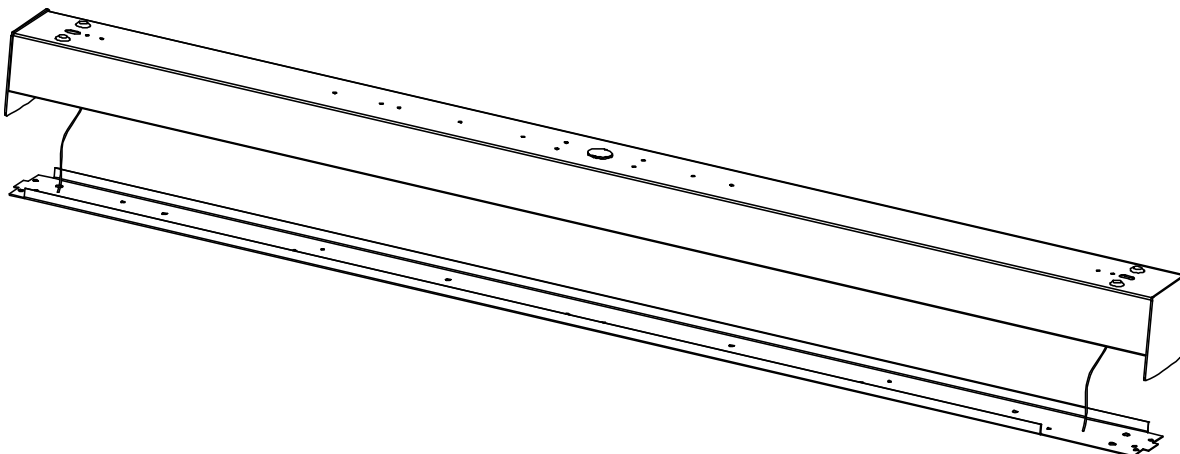
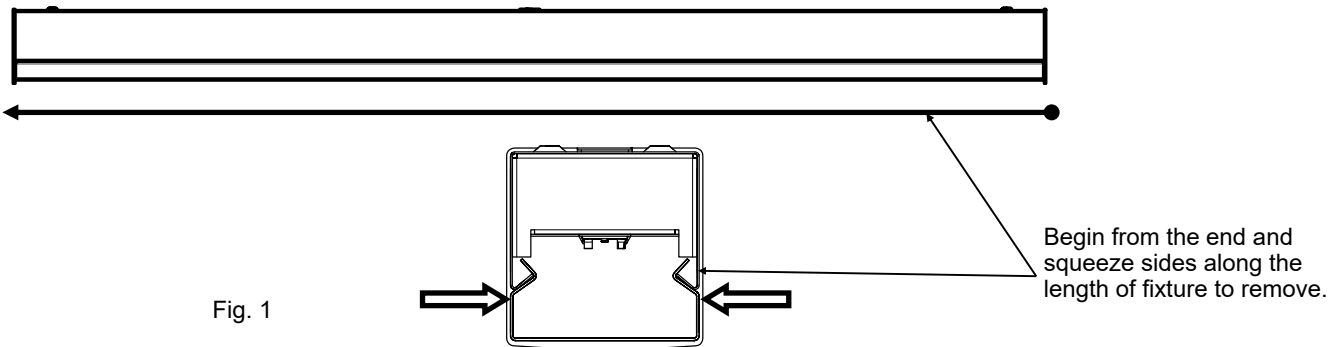
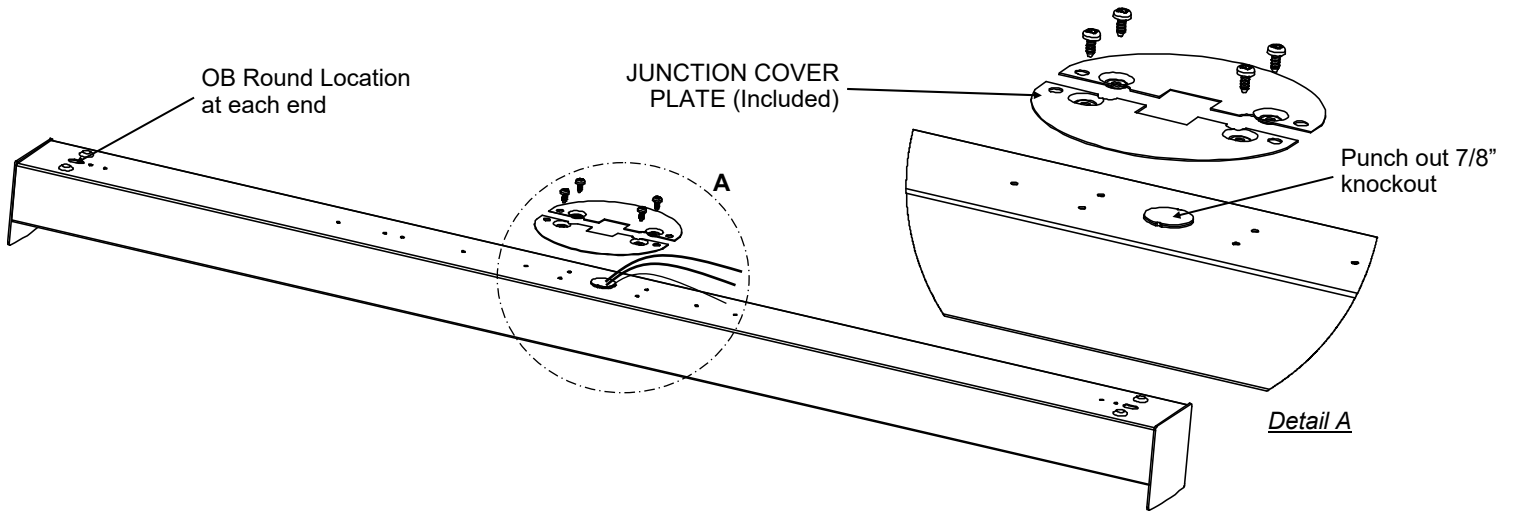
M57 — Middle unit of configurable lighting system with two open ends.

M58 — End unit of configurable lighting system with one flat finished end and one open end.



Standalone (C91) Instructions

1. Punch out 7/8" knockout. If needed, install junction cover plate to fixture for junction box installation.
2. Remove lens by squeezing sides (Fig.1) and place in safe location.
3. Unfasten LED tray and let hang by tether cables at each end to facilitate easy installation.
4. Fasten housing assembly with appropriate hardware (by others) using the OB rounds at each end. See page 1 for OB Round mounting location.
5. Connect ground wire from electrical supply to the ground wire on the luminaire or to the ground screw located on the luminaire.
6. Connect electrical supply wires to the corresponding wires from the luminaire, according to NEC or local codes.
7. Re-install LED tray and lense. Installation is complete.



Row Mounting (M56,M57,M58) Instructions

1. Punch out 7/8" knockout where wiring is to occur. If needed, install junction cover plate to fixture for junction box installation.
2. Remove lense and place in safe location.
3. Unfasten LED tray and let hang by tether cables at each end to facilitate easy installation.
4. Fasten housing assembly with appropriate hardware (by others) using the OB rounds at each end. See page 1 for OB Round mounting location.
5. Install the beginning of the row fixture (Type M56). Fasten housing assembly with appropriate hardware (by others) using the OB rounds at each end. See page 1 for OB Round mounting location.
6. Install the next fixture (Type M57) and connect 2 screws for inner ends for easy row alignment. Repeat steps until row is complete.
7. Connect ground wire from electrical supply to the ground wire on the luminaire or to the ground screw located on the luminaire.
8. Connect electrical supply wires to the corresponding wires from the luminaire, according to NEC or local codes.
9. Re-install LED tray and lense. Installation is complete.

