

**NOTES**

- Installation should be completed by an individual familiar with the construction and operation of the luminaire.
- Installation of luminaire must be in accordance with nation and local building and electrical codes.
- Carefully read and follow all warnings and instructions before installing or servicing the luminaire.
- Instructions do not cover all details and all possible product configurations
- Do not restrict luminaire ventilation.
- Ensure LED luminaire is not covered with material that will prevent convection or conduction cooling.
- Do not exceed luminaire's maximum ambient temperature.
- Ensure LED luminaire has the correct polarity before installation.
- Based on maximum voltage restrictions for class 2 circuits in Canadian Electrical Code, the output cannot be accessible. This product has accessible output terminals. This product complies with this requirement since the installation instruction requires installation in Restricted Access Area.

**WARNINGS**

**Electric shock:**

- Disconnect or turn off power before installing or servicing luminaire.
- All electrical wiring to be completed by a qualified licensed electrician in accordance with local and National/Canadian Electrical Code.
- Ensure supply voltage corresponds with the correct ballast/driver voltage.
- Avoid exposing wiring to metal edges and sharp objects.
- Ensure that the luminaire is properly grounded to prevent electric hazards.

**Fire:**

- Keep flammable and combustible materials away from the light source and/or lens.
- Use correctly rated supply conductors as indicated by product labeling.

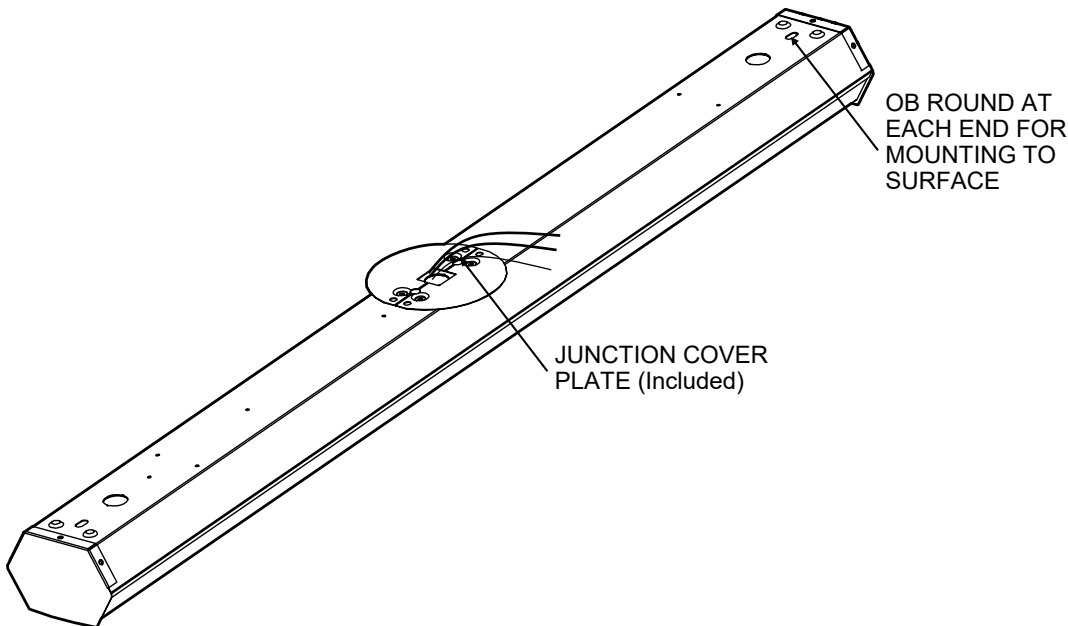
**Burn:**

- Allow luminaire to cool before handling luminaire.

**Personal Injury:**

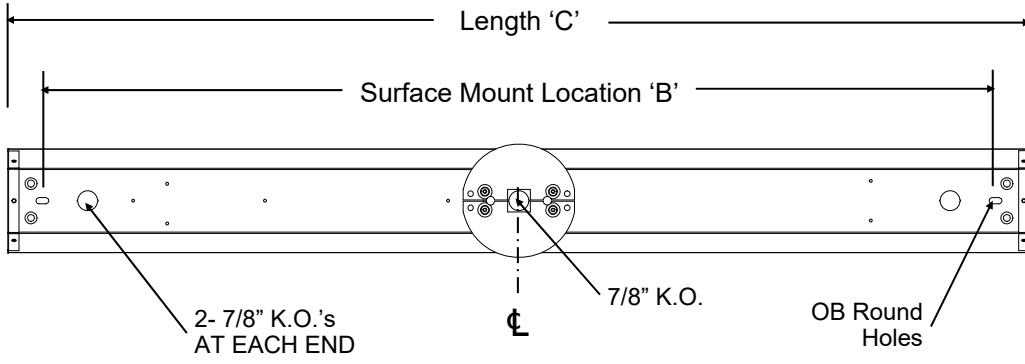
- Wear safety glasses and gloves when handling the luminaire to avoid physical injury.
- Avoid direct eye contact with light source.
- Always support the weight of the luminaire.

Manufacturer is not responsible for any injuries due to the improper installation or handling of its products.



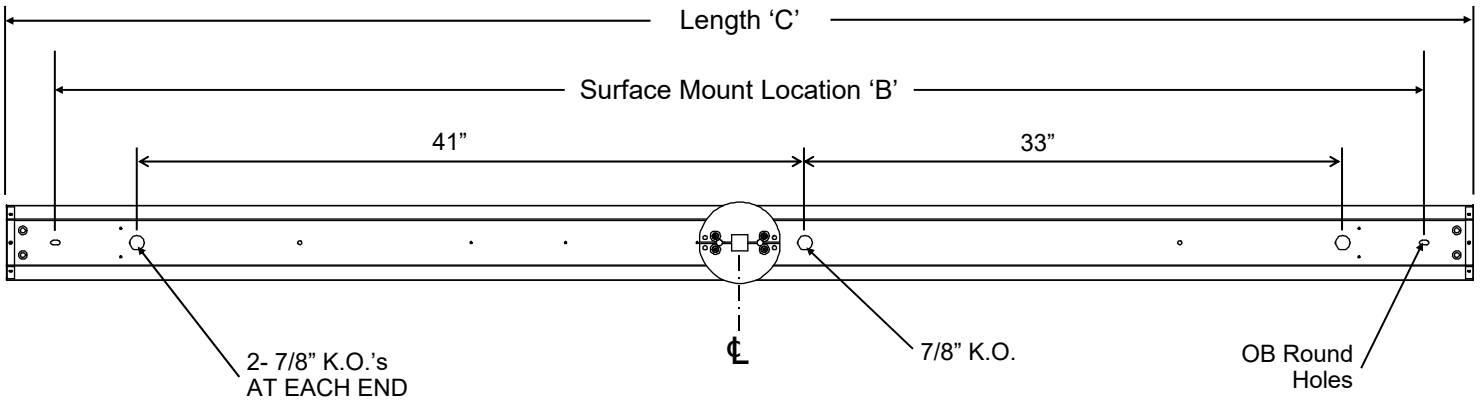
**INSTRUCTIONS**

1. Mount junction cover plate to fixture.
2. Remove lens.
3. Remove LED tray and use the two tether cables at each end to facilitate easy installation.
4. Fasten housing assembly appropriate hardware (by others) using the OB rounds at each end. See page 2 for OB Round mounting location.
5. Connect ground wire from electrical supply to the ground wire on the luminaire or to the ground screw located on the luminaire.
6. Connect electrical supply wires to the corresponding wires from the luminaire, according to NEC or local codes.
7. Re-install LED tray and lens. Installation is complete.



Size	'B' Surface Mount	'C' Length
24	21 1/2"	24 1/16"
48	42"	45 1/16"
96	84"	90 1/16"

**SURFACE MOUNT— LGH48"**



**SURFACE MOUNT— LGH96"**