

**NOTES**

- Installation should be completed by an individual familiar with the construction and operation of the luminaire.
- Installation of luminaire must be in accordance with nation and local building and electrical codes.
- Carefully read and follow all warnings and instructions before installing or servicing the luminaire.
- Instructions do not cover all details and all possible product configurations
- Do not restrict luminaire ventilation.
- Ensure LED luminaire is not covered with material that will prevent convection or conduction cooling.
- Do not exceed luminaire's maximum ambient temperature.
- Ensure LED luminaire has the correct polarity before installation.
- Based on maximum voltage restrictions for class 2 circuits in Canadian Electrical Code, the output cannot be accessible. This product has accessible

**WARNINGS**

**Electric shock:**

- Disconnect or turn off power before installing or servicing luminaire.
- **Fixture should ONLY be powered on with access plate installed in fixture.**
- All electrical wiring to be completed by a qualified licensed electrician in accordance with local and National/Canadian Electrical Code.
- Ensure supply voltage corresponds with the correct ballast/driver voltage.
- Avoid exposing wiring to metal edges and sharp objects.
- Ensure that the luminaire is properly grounded to prevent electric hazards.

**Fire:**

- Keep flammable and combustible materials away from the light source and/or lens.
- Use correctly rated supply conductors as indicated by product labeling.

**Burn:**

- Allow luminaire to cool before handling luminaire.

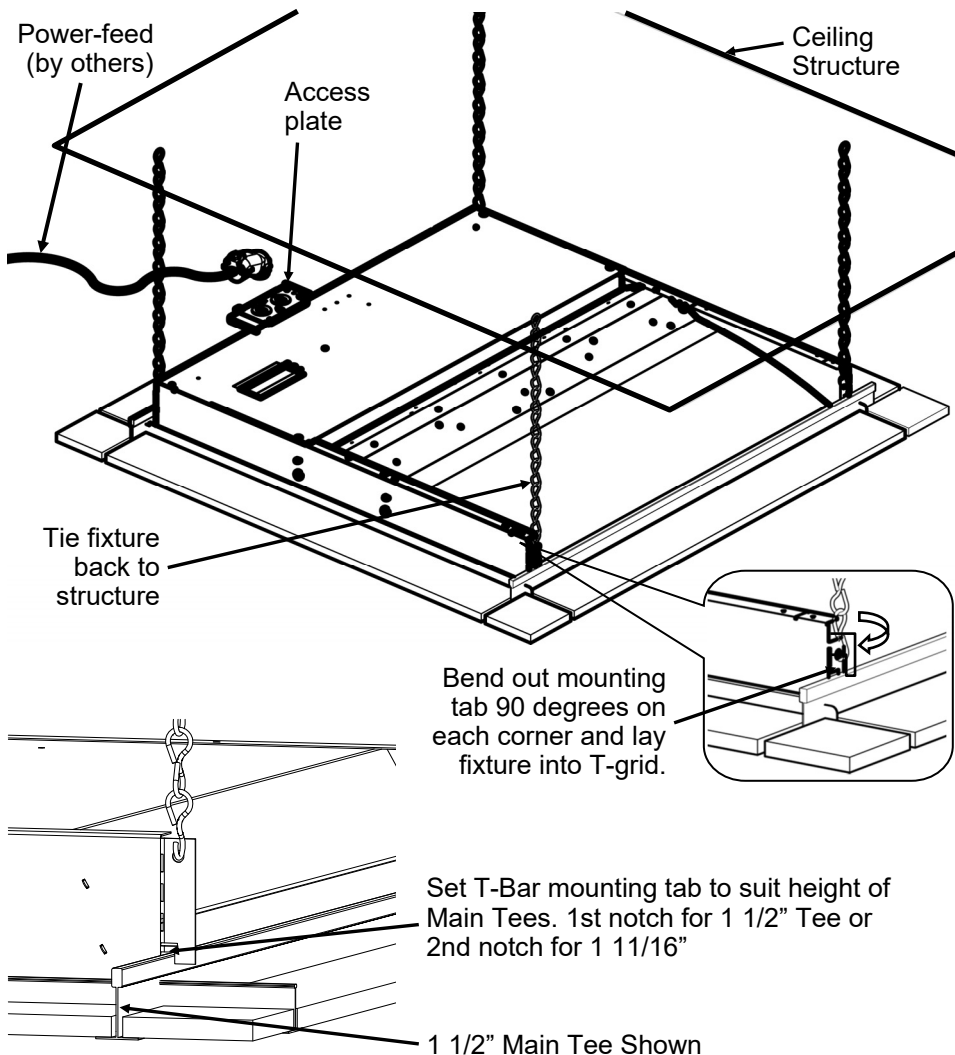
**Personal Injury:**

- Wear safety glasses and gloves when handling the luminaire to avoid physical injury.
- Avoid direct eye contact with light source.
- Always support the weight of the luminaire.

**Intended Use:**

- Certain airborne contaminants can diminish integrity of acrylic and/or polycarbonate.
- Certain airborne contaminants may also adversely affect the functioning of LEDs and other electronic components, depending on various factors such as concentrations of the containments, ventilation, and temperature at the end-user location.
- Failure due to the effect of contaminants is not covered under our standard terms of warranty.

Manufacturer is not responsible for any injuries due to the improper installation or handling of its products.

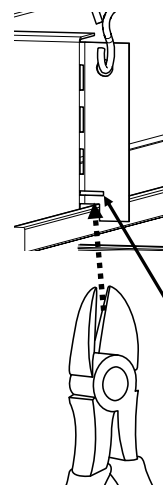


**INSTRUCTIONS:**

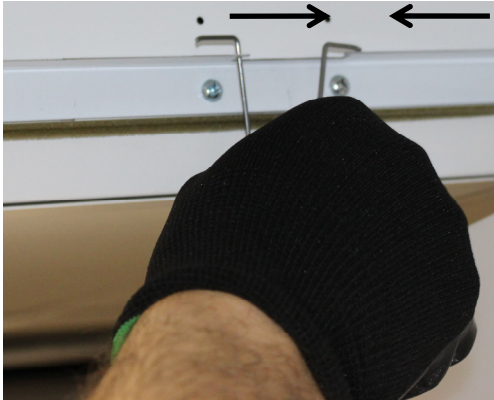
1. Lay luminaire into the T-bar ceiling grid and bend out corner tabs.
2. Secure luminaire with grid wire/chains to the structure above per local and/or national building codes.
3. Remove access plate and appropriate K.O.'s for attachment of electrical power feed cable connectors (by others).
4. Make the necessary wiring connections and ground connections per local and national electrical building codes.
5. Reattach access plate to luminaire and secure access plate screw, ensuring that screw is inserted through clearance hole and into extruded hole.
6. Install lens, where provided.

**Cleaning and Maintenance**

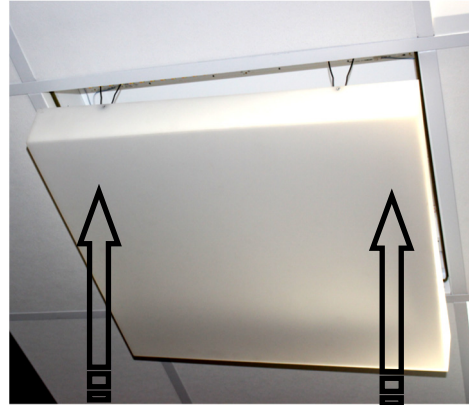
1. Use a damp, lint-free cloth to wipe lens. Don not use solvents or cleaners containing abrasive agents. When cleaning the fixture, make sure the power is turned off, and any liquid spray should be applied to the cleaning cloth and not sprayed directly onto the fixture itself.



**Lens Installation**



1. Begin with one side first. Squeeze, align and insert springs to bracket. Repeat same for the other sides.



2. Once all springs are properly installed, gently push the diffuser as far as the springs allow and installation complete. (Requires 2 persons)

**Flush Lens D0 Removal Only**

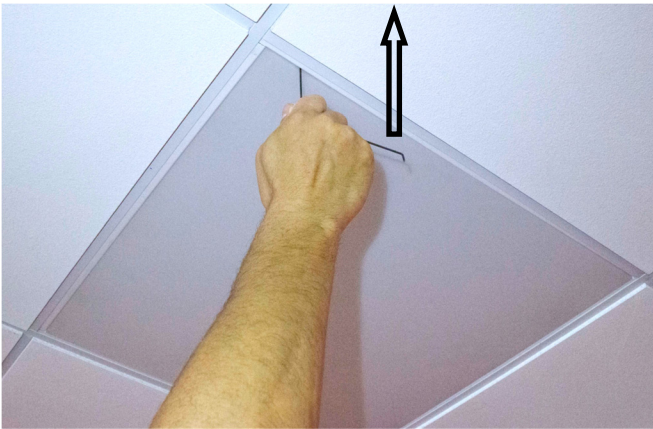
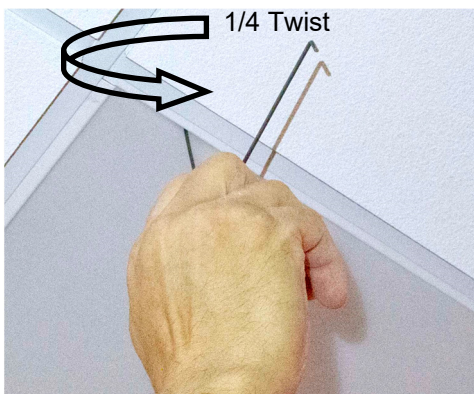


Fig. 1

Pop open adjacent ceiling tile and find location for spring when needed for removal of **Flush Lens**

1. Insert spring (supplied-see Fig.1) through gap and 1/4 twist to catch bottom of lens.
2. Pull down gently and grip lens around perimeter to allow for disengagement of springs.

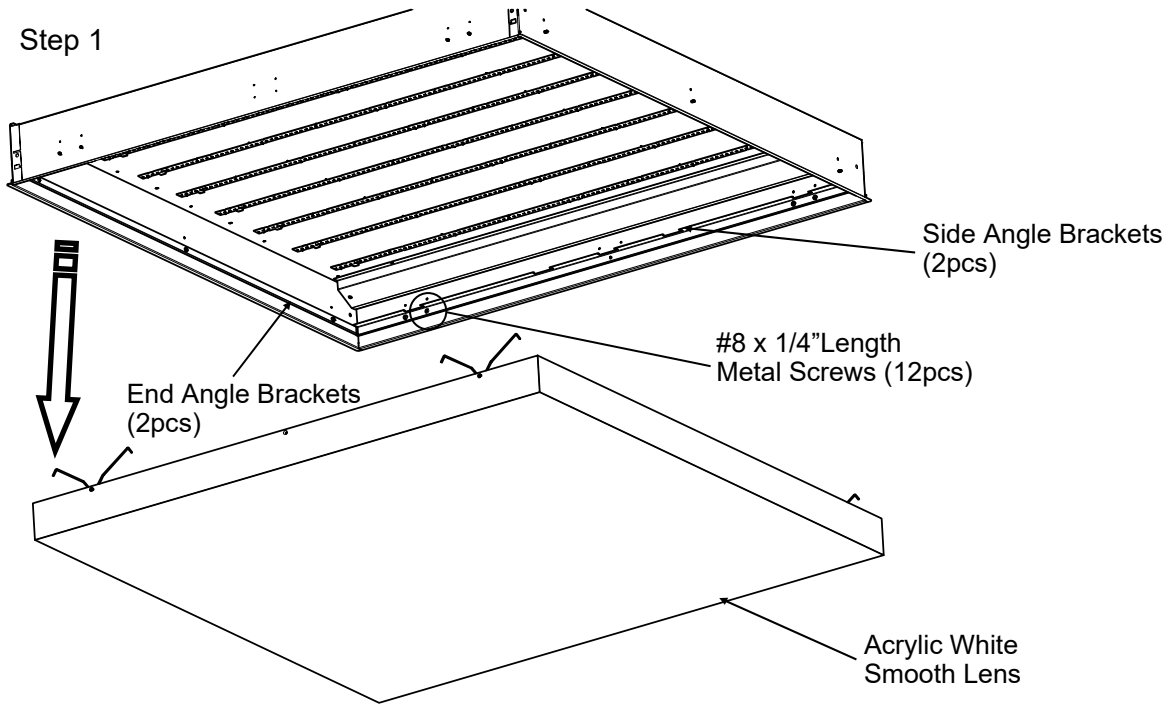


**Cleaning and Maintenance**

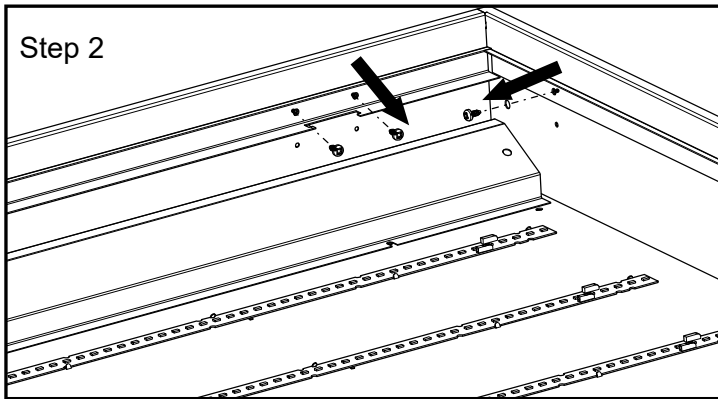
1. Use a damp, lint-free cloth to wipe lens.

**Lens Height Adjustment Instruction**

Step 1



Step 2



1. To adjust lens depth, reposition end and side angle brackets to alternate hole locations.

Step 3

