

NOTES

- Installation should be completed by an individual familiar with the construction and operation of the luminaire.
- Installation of luminaire must be in accordance with national and local building and electrical codes.
- Carefully read and follow all warnings and instructions before installing or servicing the luminaire.
- Instructions do not cover all details and all possible product configurations.
- Do not restrict luminaire ventilation.
- Ensure LED luminaire is not covered with material that will prevent convection or conduction cooling.
- Do not exceed luminaire's maximum ambient temperature.
- Ensure LED luminaire has the correct polarity before installation.
- These products have maximum rated output voltage that exceeds the voltage limits that cannot be accessible based on voltage restrictions for Class 2 circuits in Canadian Electrical Code. This output complies with the definition of Class 2 per Canadian Electrical Code. This product complies with this requirement since the installation instruction requires installation in restricted access area.
- Do not mount the luminaire to ceiling if convenience outlet option is provided.
- Do not use the luminaire housing as junction box cover unless the housing width is wider than the junction box.

WARNINGS

Electric shock:

- Disconnect or turn off power before installing or servicing luminaire.
- All electrical wiring to be completed by a qualified licensed electrician in accordance with local and National/Canadian Electrical Code.
- Ensure supply voltage corresponds with the correct ballast/driver voltage.
- Avoid exposing wiring to metal edges and sharp objects.
- Ensure that the luminaire is properly grounded to prevent electric hazards.

Fire:

- Keep flammable and combustible materials away from the light source and/or lens.
- Use correctly rated supply conductors as indicated by product labeling.

Burn:

- Allow luminaire to cool before handling luminaire.

Personal Injury:

- Wear safety glasses and gloves when handling the luminaire to avoid physical injury.
- Avoid direct eye contact with light source.
- Always support the weight of the luminaire.

Viscor is not responsible for any injuries due to the improper installation or handling of its products.

Fixture/Housing Construction

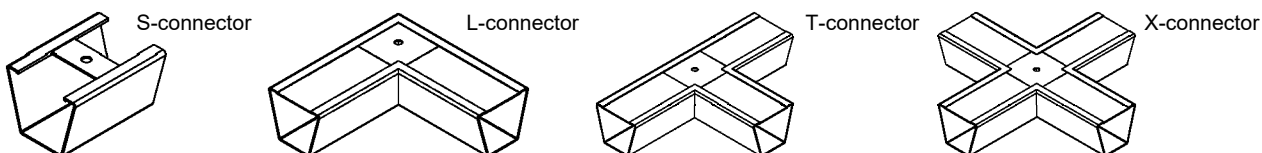
C91X - Stand alone unit with two extended finished ends. (power feed, canopies & aircraft cables included)

M56X - Start unit of configurable lighting system with one extended finished end and one open end.

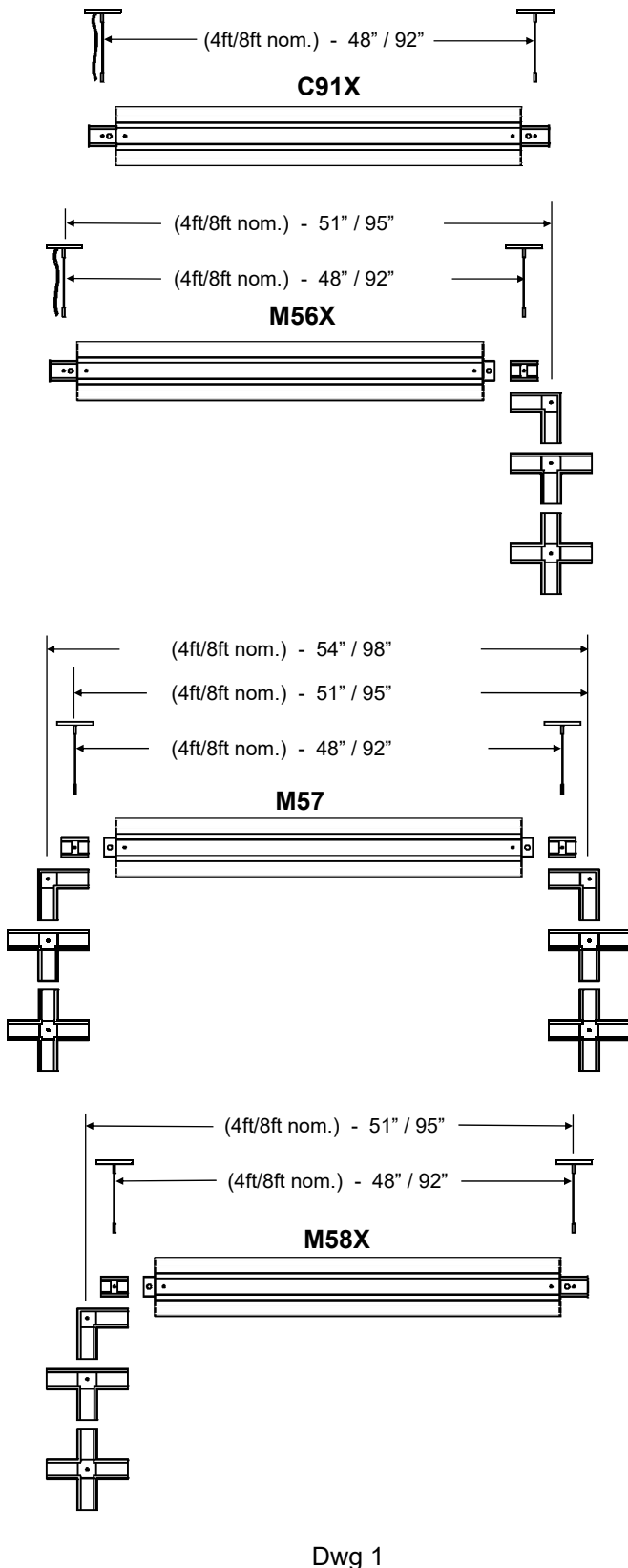
M57 - Middle unit of configurable lighting system with two open ends.

M58X - End unit of configurable lighting system with one extended finished end and one open end.

Configurable Lighting System Connectors



Canopy Spacing Information



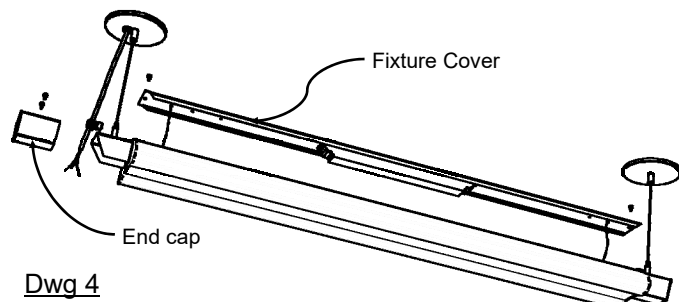
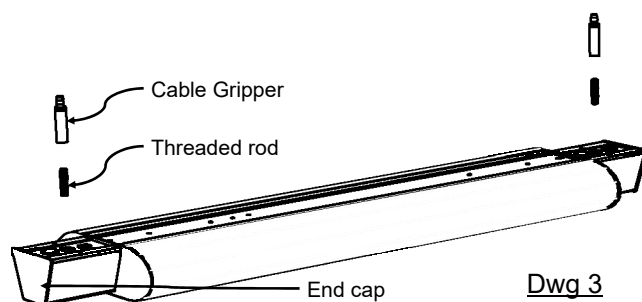
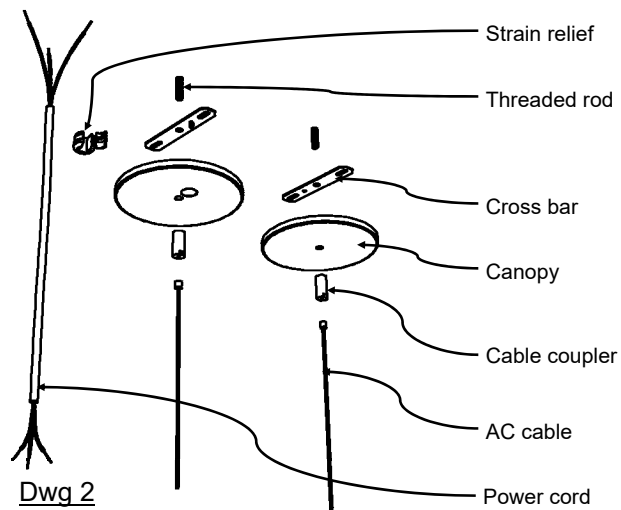
INSTRUCTIONS:

Step 1. Using canopy spacing information provided (dwg 1) create canopy layout.

Step 2. Disconnect power.

Step 3. Install canopy sets (dwg 2) (cross bars, threaded rods, canopies, cable couplers, AC cables, power cords) and connect power cord /cords . For canopy spacing refer to layout.

Step 4. Stand alone unit installation (C91X): Install cable grippers via 1/4-20 threaded rods (supplied) to the fixture (dwg 3) and hang the fixture inserting AC cables through cable grippers. Adjust suspension height as required and level the fixture. Remove end cap and fixture cover (dwg 4) and connect power to the fixture utilizing strain relief (provided) and make wiring connections according to local electrical codes. Reinstall end cap and cover.



INSTRUCTIONS (Cont'd):

Step 4. Configurable Lighting System installation:

- Lay on the floor units and connectors in required order.
- Attach required connector (S,L,T or X) to unit M56X, secure it via 2 screws and install cable grippers (2x) via 1/4-20 threaded rods (dwg 5).
- Attach required connector (S,L,T or X) to each M57 unit, secure it via 2 screws and install cable gripper via 1/4-20 threaded rod to the connector (dwg 6).
- Install cable gripper via 1/4-20 threaded rod to unit M58X (dwg 7).
- Hang unit M56X (dwg 8) inserting AC cables through cable grippers. Adjust suspension height as required and level the unit.
- Hang the next unit and attach the loose end to previously mounted unit, secure it via 2 screws and level it. Repeat steps until configurable lighting system installation is complete by hanging unit M58X.

Step 5. Remove fixture cover (dwg 4) and connect power to the first unit utilizing strain relief (provided) and make wiring connections to the remaining units according to local electrical codes. Reinstall covers.

Step 6. Connect the power.

