

NOTES

- Installation should be completed by an individual familiar with the construction and operation of the luminaire.
- Installation of luminaire must be in accordance with nation and local building and electrical codes.
- Carefully read and follow all warnings and instructions before installing or servicing the luminaire.
- Instructions do not cover all details and all possible product configurations
- Do not restrict luminaire ventilation.
- Ensure LED luminaire is not covered with material that will prevent convection or conduction cooling.
- Do not exceed luminaire's maximum ambient temperature.
- Ensure LED luminaire has the correct polarity before installation.
- Based on maximum voltage restrictions for class 2 circuits in Canadian Electrical Code, the output cannot be accessible. This product has accessible output terminals. This product complies with this requirement since the installation instruction requires installation in Restricted Access Area.

WARNINGS

Electric shock:

- Disconnect or turn off power before installing or servicing luminaire.
- All electrical wiring to be completed by a qualified licensed electrician in accordance with local and National/Canadian Electrical Code.
- Ensure supply voltage corresponds with the correct ballast/driver voltage.
- Avoid exposing wiring to metal edges and sharp objects.
- Ensure that the luminaire is properly grounded to prevent electric hazards.

Fire:

- Keep flammable and combustible materials away from the light source and/or lens.
- Use correctly rated supply conductors as indicated by product labeling.

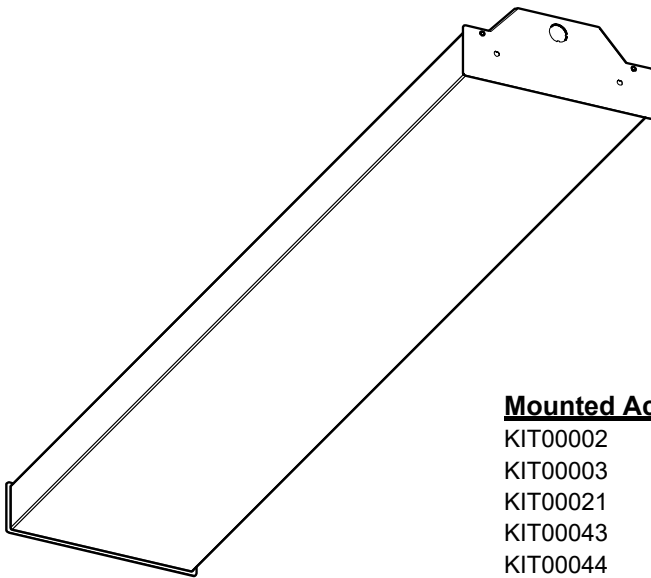
Burn:

- Allow luminaire to cool before handling luminaire.

Personal Injury:

- Wear safety glasses and gloves when handling the luminaire to avoid physical injury.
- Avoid direct eye contact with light source.
- Always support the weight of the luminaire.

Viscor is not responsible for any injuries due to the improper installation or handling of its products.

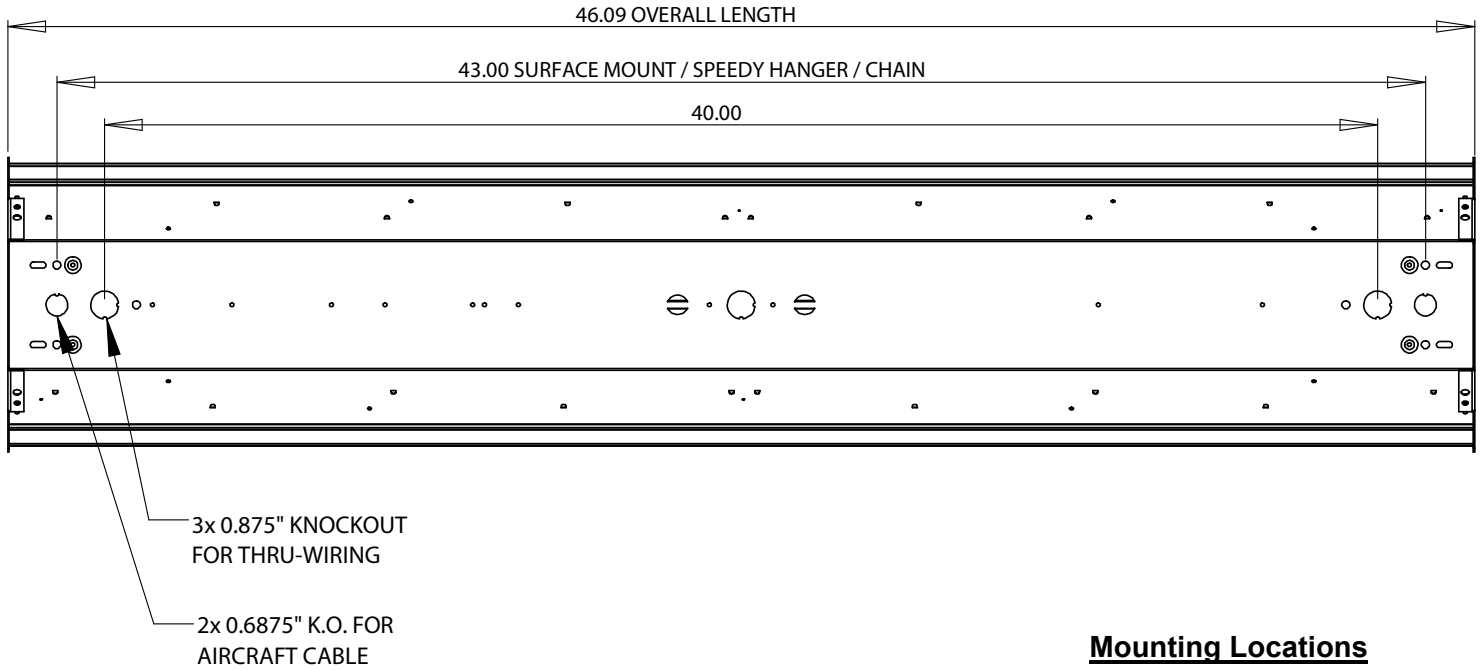


Mounted Accessories (Ordered Separately)

KIT00002	Speedy Hangers (2).M23
KIT00003	Stem & Canopy Set 3/8"IP (2) 4ft.M26
KIT00021	Mounting Suspension Set (Speedy Hangers/48" Chains).M30
KIT00043	Aircraft Cable & Canopy Set (2) 4ft.M48 (Cord not included with the kit)
KIT00044	Stem & Canopy Set Sloped Ceilings (2) 3ft.M29
KIT00045	Stem & Canopy Set Sloped Ceilings (2) 4ft.M29
KIT00046	Stem & Canopy Set Sloped Ceilings (2) 6ft.M29
KIT00047	Stem & Canopy Set 3/8"IP (2) 2ft.M26
KIT00048	Stem & Canopy Set 3/8"IP (2) 1ft.M26
KIT00050	Stem & Canopy Set 3/8"IP (2) 3ft.M26
KIT00053	Stem & Canopy Set 3/8"IP (2) 6ft.M26

Mounting Notes:

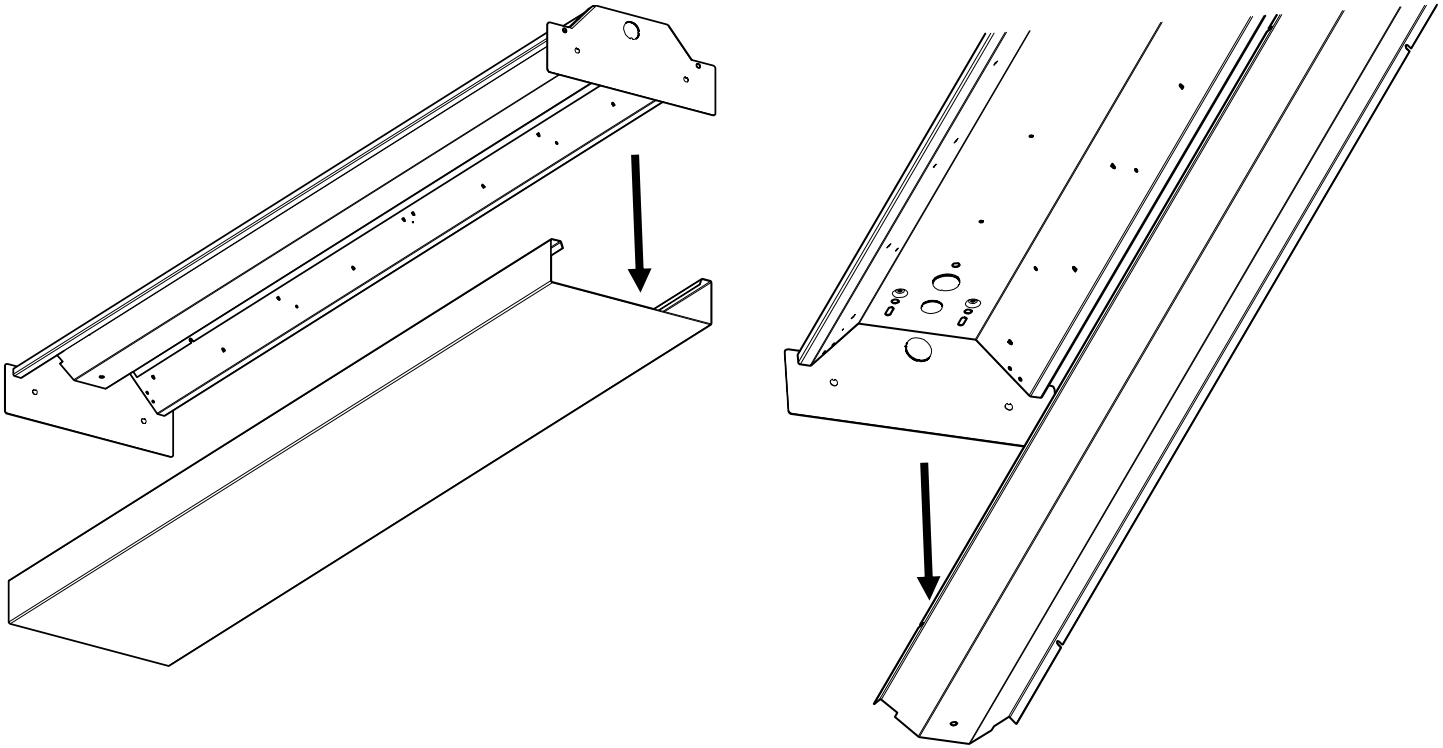
Knock-outs are provided for stem-mounting. Mounting holes are provided. Optional aircraft cable assemblies and canopy sets are available. Optional V (Speedy) hangers with chain available. See Ordering Key.



Mounting Locations

Instructions - Suspended

1. Carefully remove luminaire from packaging.
2. Disconnect main power from panel.
3. Remove the corresponding K.O. on the luminaire and install any strain relief connector (by others) as required by local electrical codes.
4. Choose one of the suspended mounting accessories (ordered separately) and secure fixture by suspension with appropriate hardware (by others).
5. Connect ground wire from electrical supply to the ground wire on the luminaire or to the ground screw located on the luminaire.
6. Connect electrical supply wires to the corresponding wires from the luminaire, according to NEC or local codes.



Instructions - Surface

1. Carefully remove luminaire from packaging.
2. Disconnect main power from panel.
3. Remove lens and cover from luminaire.
4. Determine the location of the junction box and remove the corresponding K.O. on the luminaire and install any strain relief connector (by others) as required by local electrical codes.
5. Pull electrical supply wires through the knockout hole and into the luminaire.
6. Mount the luminaire to the mounting surface using wood screws or appropriate hardware (by others). If no joists are present, use toggle bolts (by others).
7. Make the necessary wiring connections and ground connections in accordance with local electrical and /or building codes.
8. Re-install cover.
9. Re-install lens.