

NOTES

- Installation should be completed by an individual familiar with the construction and operation of the luminaire.
- Installation of luminaire must be in accordance with nation and local building and electrical codes.
- Carefully read and follow all warnings and instructions before installing or servicing the luminaire.
- Instructions do not cover all details and all possible product configurations
- Do not restrict luminaire ventilation.
- Ensure LED luminaire is not covered with material that will prevent convection or conduction cooling.
- Do not exceed luminaire's maximum ambient temperature.
- Ensure LED luminaire has the correct polarity before installation.
- These products have maximum rated output voltage that exceeds the voltage limits that cannot be accessible based on voltage restrictions for Class 2 circuits in Canadian Electrical Code. This output complies with the definition of Class 2 per Canadian Electrical Code. This product complies with this requirement since the installation instruction requires installation in restricted access area.
- Do not use the luminaire housing as junction box cover unless the housing width is wider than the junction box.

WARNINGS

Electric shock:

- Disconnect or turn off power before installing or servicing luminaire.
- All electrical wiring to be completed by a qualified licensed electrician in accordance with local and National/Canadian Electrical Code.
- Ensure supply voltage corresponds with the correct ballast/driver voltage.
- Avoid exposing wiring to metal edges and sharp objects.
- Ensure that the luminaire is properly grounded to prevent electric hazards.

Fire:

- Keep flammable and combustible materials away from the light source and/or lens.
- Use correctly rated supply conductors as indicated by product labeling.

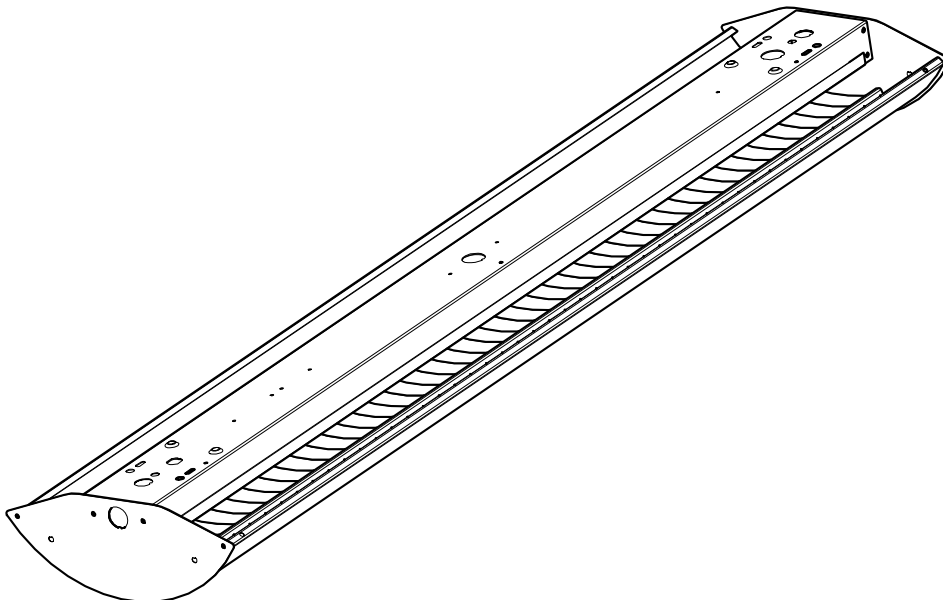
Burn:

- Allow luminaire to cool before handling luminaire.

Personal Injury:

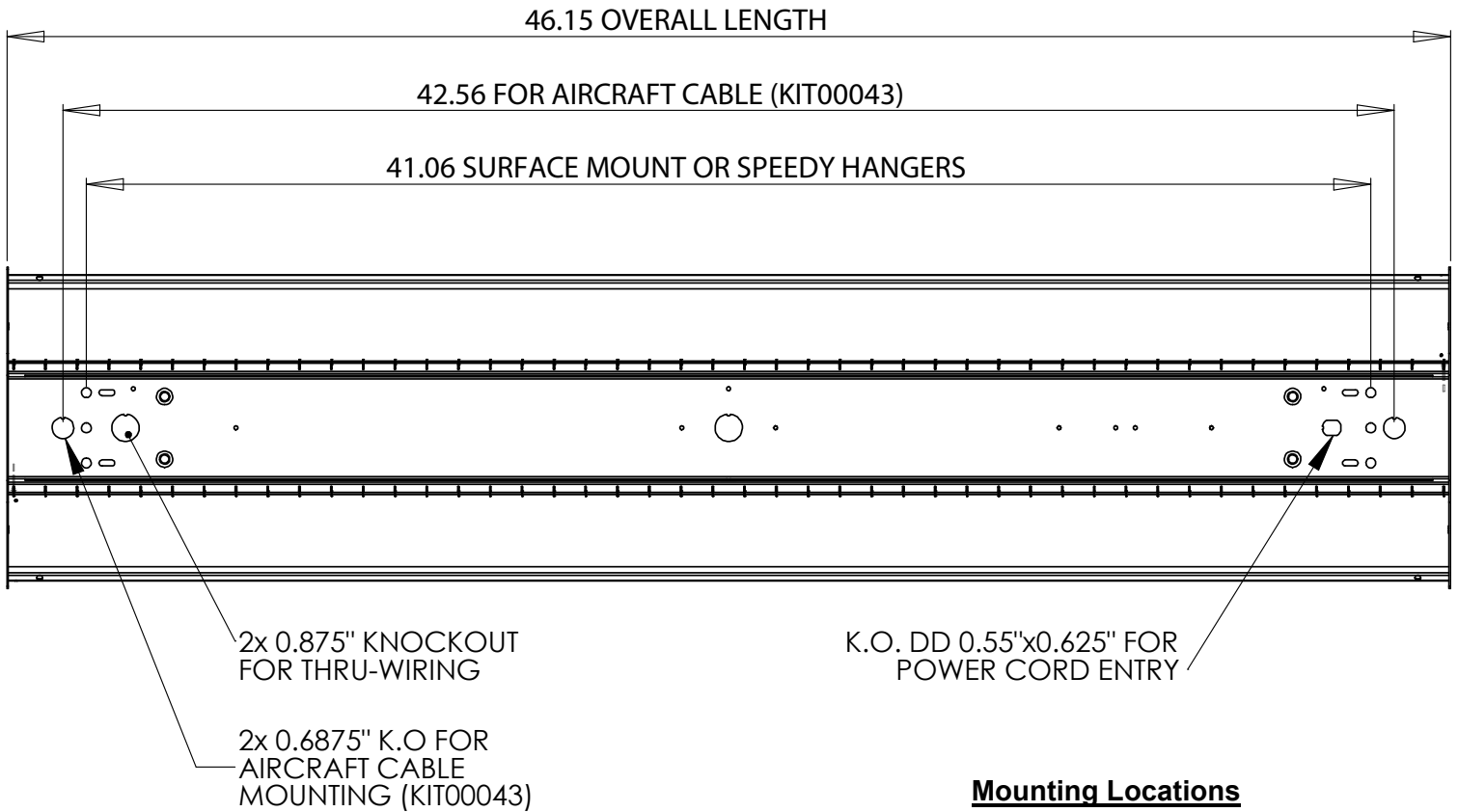
- Wear safety glasses and gloves when handling the luminaire to avoid physical injury.
- Avoid direct eye contact with light source.
- Always support the weight of the luminaire.

Viscor is not responsible for any injuries due to the improper installation or handling of its products.



Mounting Notes:

Knock-outs are provided for stem-mounting. Mounting holes are provided. Optional aircraft cable assemblies and canopy sets are available. Optional V (Speedy) hangers with chain available. See Ordering Key.



Instructions

1. Choose one of the mounting accessories (ordered separately).
2. Secure fixture by suspension or onto mounting surface with appropriate hardware (by others).
3. Connect ground wire from electrical supply to the ground wire on the luminaire or to the ground screw located on the luminaire.
4. Connect electrical supply wires to the corresponding wires from the luminaire, according to NEC or local codes.

Mounted Accessories (Ordered Separately)

- KIT00002 Speedy Hangers (2).M23
- KIT00003 Stem & Canopy Set 3/8"IP (2) 4ft.M26
- KIT00021 Mounting Suspension Set (Speedy Hangers/48" Chains).M30
- KIT00043 Aircraft Cable & Canopy Set (2) 4ft.M48 (Cord not included with the kit)
- KIT00044 Stem & Canopy Set Sloped Ceilings (2) 3ft.M29
- KIT00045 Stem & Canopy Set Sloped Ceilings (2) 4ft.M29
- KIT00046 Stem & Canopy Set Sloped Ceilings (2) 6ft.M29
- KIT00047 Stem & Canopy Set 3/8"IP (2) 2ft.M26
- KIT00048 Stem & Canopy Set 3/8"IP (2) 1ft.M26
- KIT00050 Stem & Canopy Set 3/8"IP (2) 3ft.M26
- KIT00053 Stem & Canopy Set 3/8"IP (2) 6ft.M26