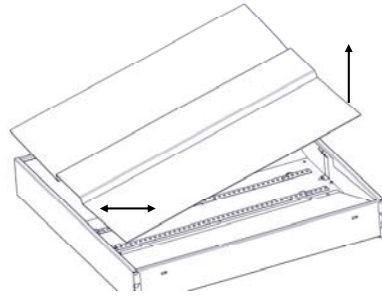
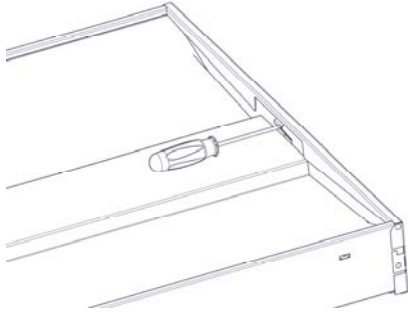
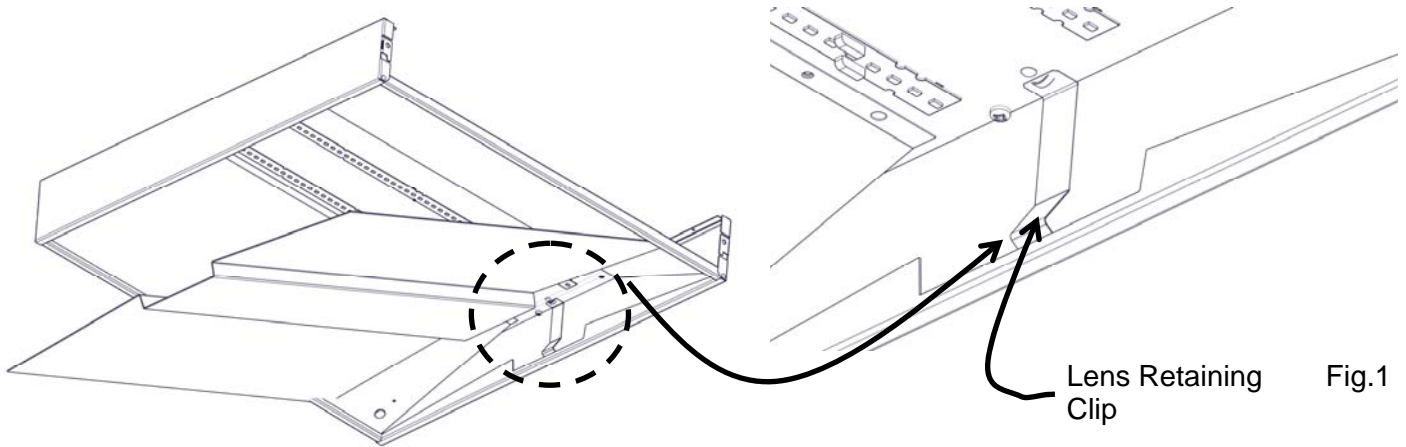


Lens Removal Instruction

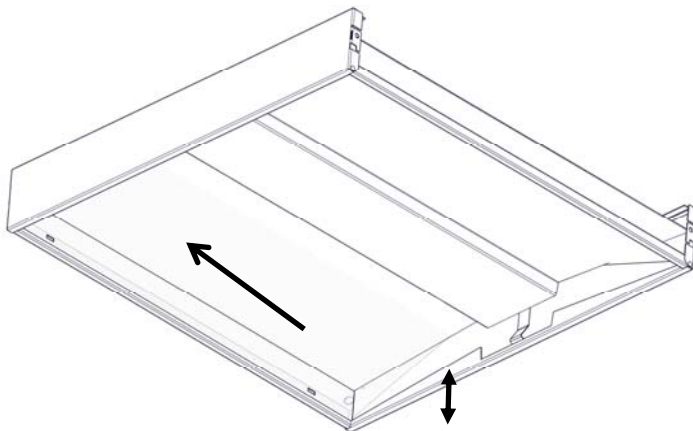


1. With flat screwdriver press gently retaining clip to release lens from frame
2. Carefully remove lens from luminaire by first sliding then lifting away from frame and place on clean surface top.

Lens Installation



3. Tilt lens and insert **above retaining clip**(Fig.1) and to one end of fixture.



4. While holding lens in place on one end, raise the other end so that it clears the side flanges and gently drop lens to sit on interior flanges. Retaining clip may need to be re-pressed to allow lens to seat properly.