

## SAFETY AND INSTALLATION INSTRUCTIONS

Series: LMEZYF-M03

ERP# IIS00161



**VISIONEERING**

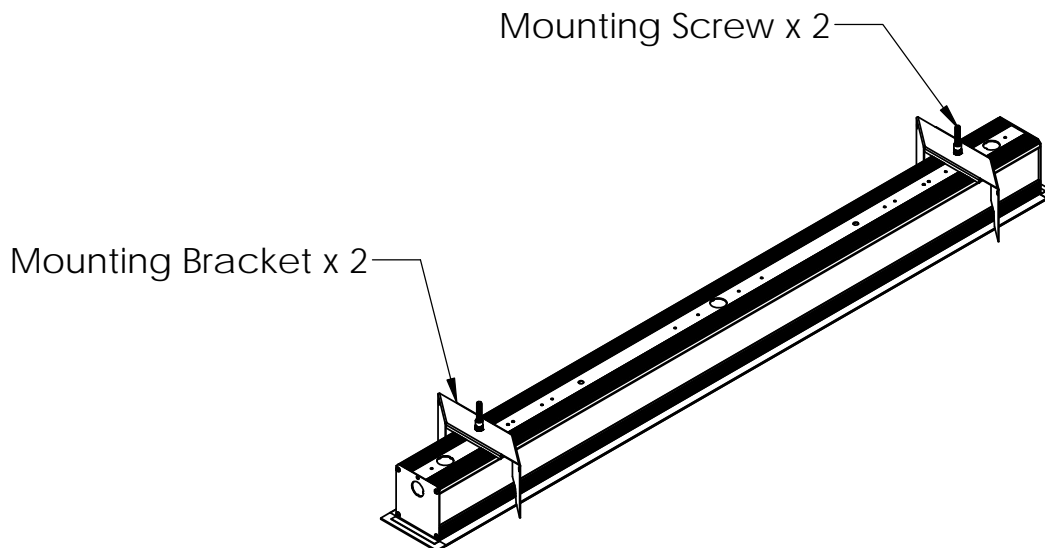
35 Oak St., Toronto, ON M9N 1A1

**WARNING:** 1. ELECTRICAL SHOCK POTENTIAL !! LUMINAIRE MUST BE INSTALLED BY A QUALIFIED ELECTRICIAN. TO PREVENT ELECTRICAL SHOCK, DISCONNECT ELECTRICAL SUPPLY BEFORE INSTALLATION OR SERVICING  
2. CONTRACTOR IS RESPONSIBLE FOR ADEQUATELY REINFORCING WALLS AND/OR CEILING TO SUPPORT FIXTURE WEIGHT

**CAUTION:** This luminaire is designed for permanent installation in ordinary (Non-Hazardous) locations in accordance with the National Electrical Code and all applicable local codes. Do not use in areas of limited ventilation or in high ambient enclosures. The lamp and luminaire operate at high temperature, contact with combustible materials can cause fire and personal contact can cause severe burns.

**DRYWALL CEILING OR WALL OPENING:  
Width = 3.375", Length = Total Row Length + 0.25"**

Nominal Length	2FT	4FT	8FT	12FT
Stand alone Unit (M03 ) Actual Length	22.375"	44.375"	88.625"	132.875"



- Step 1: Disconnect power if not new installation.
- Step 2: Remove lens. And unscrew LED mnt tray, let the tray hanging by tethers.
- Step 3: Install mounting brackets (2x) on the unit with mnt screws.
- Step 4: Break out one of 7/8" KO on top of the fixture for power connection.
- Step 5: Insert fixture into the ceiling / wall opening.
- Step 6: Secure fixture to ceiling / wall by tightening mounting bracket screws (2x).
- Step 7: Connect fixture to the local power cord.
- Step 8: Put back the LED trays into the fixtures and secure by screw, and install lenses.
- Step 9: Switch on the power.