

SAFETY AND INSTALLATION INSTRUCTIONS

Series: LMEZYF-ROW_Mount

ERP: IIS00067

35 Oak Street
Toronto, ON
M9N 1A1

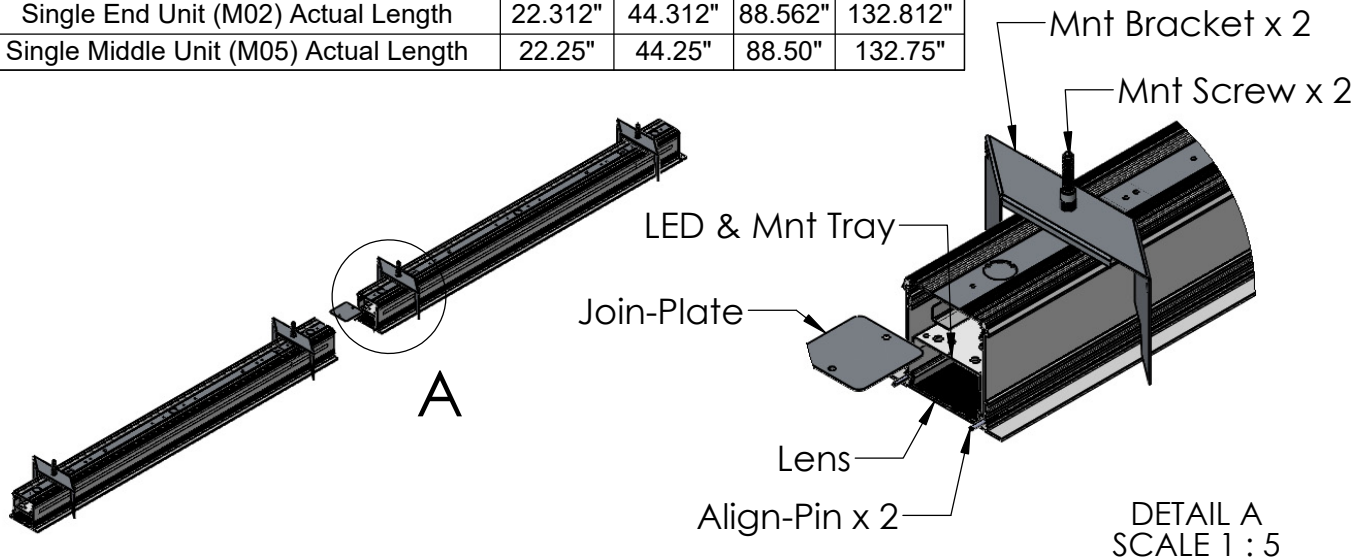


WARNING: 1. ELECTRICAL SHOCK POTENTIAL !! LUMINAIRE MUST BE INSTALLED BY A QUALIFIED ELECTRICIAN. TO PREVENT ELECTRICAL SHOCK, DISCONNECT ELECTRICAL SUPPLY BEFORE INSTALLATION OR SERVICING
2. CONTRACTOR IS RESPONSIBLE FOR ADEQUATELY REINFORCING WALLS AND/OR CEILING TO SUPPORT FIXTURE WEIGHT

CAUTION: This luminaire is designed for permanent installation in ordinary (Non-Hazardous) locations in accordance with the National Electrical Code and all applicable local codes. Do not use in areas of limited ventilation or in high ambient enclosures. The lamp and luminaire operate at high temperature, contact with combustible materials can cause fire and personal contact can cause severe burns.

DRYWALL CEILING OR WALL OPENING:
Width = 3.375", Length = Total Row Length + 0.25"

Nominal Length	2FT	4FT	8FT	12FT
Single End Unit (M02) Actual Length	22.312"	44.312"	88.562"	132.812"
Single Middle Unit (M05) Actual Length	22.25"	44.25"	88.50"	132.75"



Step 1: Disconnect power.

Step 2: Remove lens. And unscrew LED mnt tray, let the tray hanging by tethers.

Step 3: Install mounting brackets (2x) on all units with mnt screws.

Step 4: Break out 7/8" KO on top of the first fixture (end unit) for power connection.

Step 5: Insert fixture into the ceiling / wall opening. Begin and finish with end of the row unit.

Step 6: Secure fixture to ceiling / wall by tightening mounting bracket screws (2x).

Step 7: Insert 2 Alignment pins (provided). Install next fixture (M05 or last M02 unit).

Step 8: Insert Joining Plate and use standard #8-32 screws to tighten and join 2 fixtures.

Step 9: Secure intermediate unit to ceiling / wall by tightening mounting bracket screws (2x).

Step 10: Repeat steps 7 to 9 until the last to complete the row.

Step 11: Connect fixture to the local power cord.

Step 12: Put back the LED trays into the fixtures and secure by screw, and install lenses.

Step 13: Switch on the power.