

## NOTES

- Installation should be completed by an individual familiar with the construction and operation of the luminaire.
- Installation of luminaire must be in accordance with nation and local building and electrical codes.
- Carefully read and follow all warnings and instructions before installing or servicing the luminaire.
- Instructions do not cover all details and all possible product configurations
- Do not restrict luminaire ventilation.
- Ensure LED luminaire is not covered with material that will prevent convection or conduction cooling.
- Do not exceed luminaire's maximum ambient temperature.
- Ensure LED luminaire has the correct polarity before installation.
- This product has maximum rated output of 56Vdc. This output complies with the definition of Class 2 per Canadian Electrical Code. This output cannot be accessible based on maximum voltage restrictions for Class 2 circuits in Canadian Electrical Code. This product complies with this requirement since the installation instruction requires installation in restricted access area.

## WARNINGS

### Electric shock:

- Disconnect or turn off power before installing or servicing luminaire.
- All electrical wiring to be completed by a qualified licensed electrician in accordance with local and National/Canadian Electrical Code.
- Ensure supply voltage corresponds with the correct ballast/driver voltage.
- Avoid exposing wiring to metal edges and sharp objects.
- Ensure that the luminaire is properly grounded to prevent electric hazards.

### Fire:

- Keep flammable and combustible materials away from the light source and/or lens.
- Use correctly rated supply conductors as indicated by product labeling.

### Burn:

- Allow luminaire to cool before handling luminaire.

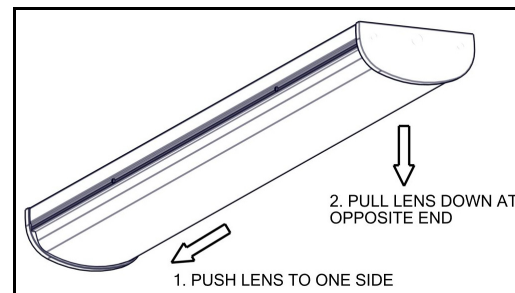
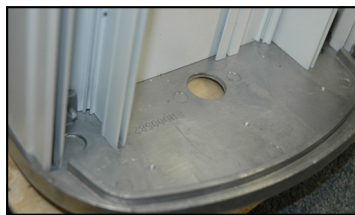
### Personal Injury:

- Wear safety glasses and gloves when handling the luminaire to avoid physical injury.
- Avoid direct eye contact with light source.
- Always support the weight of the luminaire.

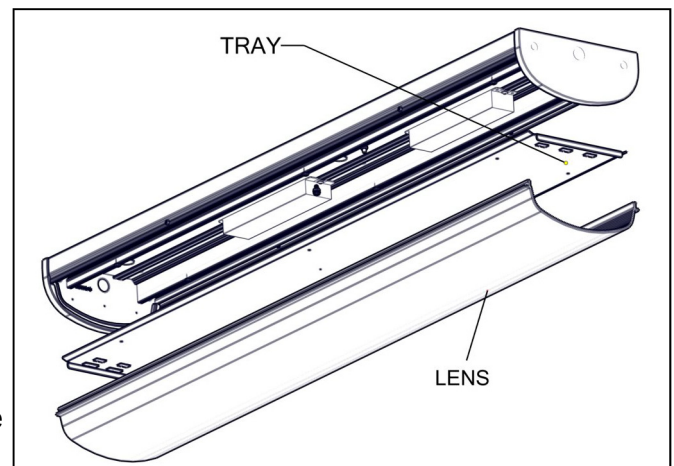
Viscor Inc. is not responsible for any injuries due to the improper installation of handling of its products.



Place fixture on end flat onto sturdy surface. Apply force to area as shown, until the material breaks away leaving a clean cut hole

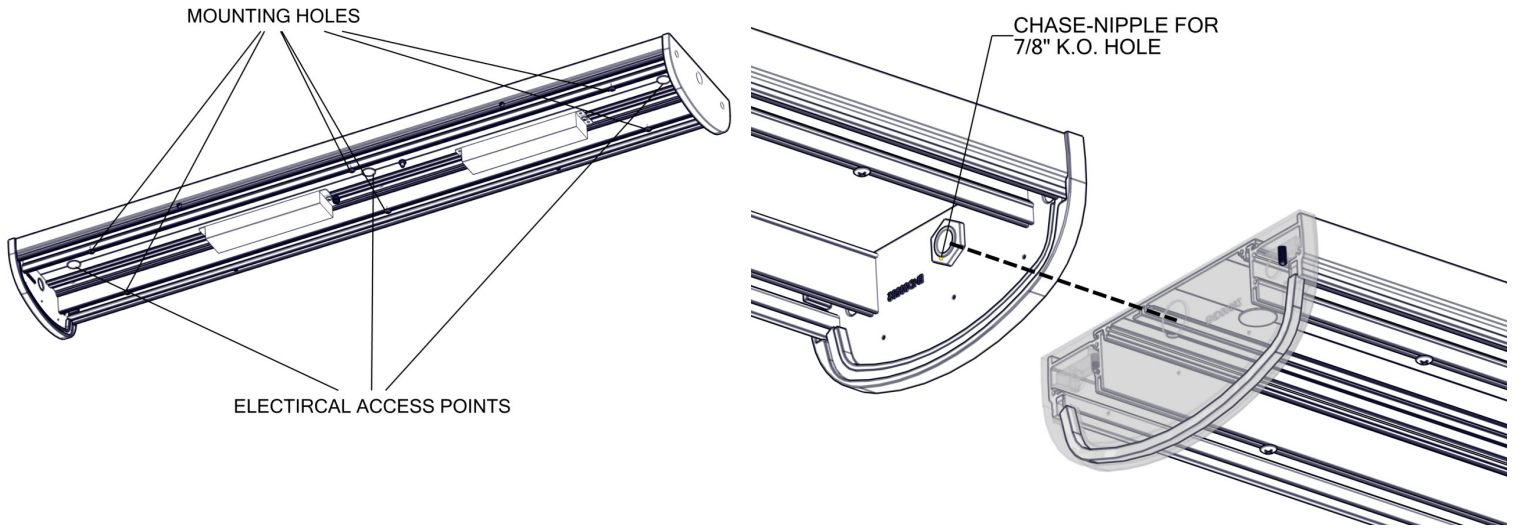


1. Disconnect main power.
2. To remove lens, first remove 4x lens screws (it may be a Torx T-15 or T-25 drive with security pin).
3. Apply pressure to push lens into one end. Pull lens away from housing at opposite end.
4. Remove LED tray.
5. Mount fixture to surface at specified mounting holes using hardware provided by others.
6. There are 3x Ø .875" knock-outs provided for electrical wire access. Bushing provided by others.

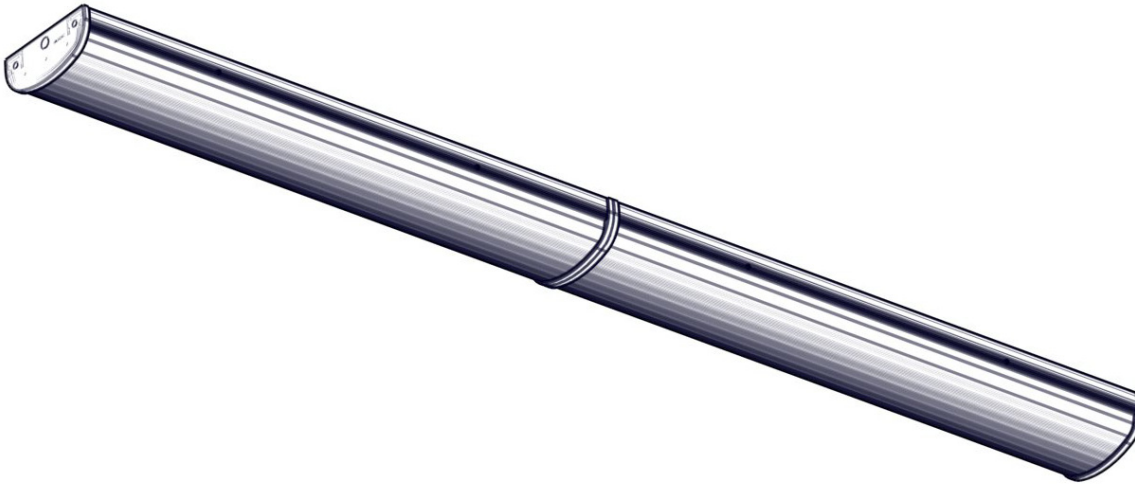


Continued on next page

Row mounting at middle section



7. After the first fixture is mounted and secured, proceed with installing chase nipple (by others) using the  $\text{\O}0.875$ " hole (shown on page 1) to the next unit in line. Do not tighten the chase nipples on both ends just yet leave loose until second fixture is mounted to surface. Once fixture is secured now tighten chase nipple and row mount is complete.



Installation is complete.