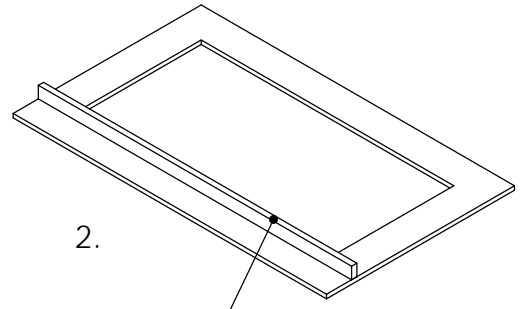
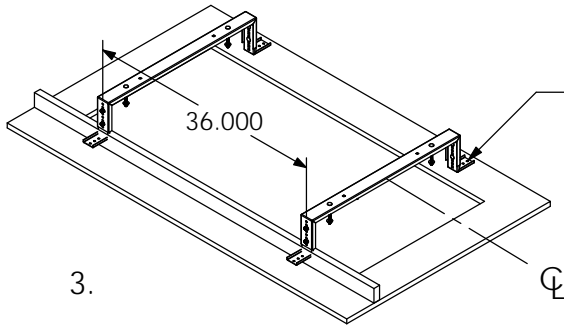


1.



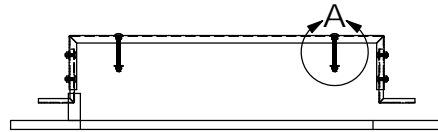
2.

BEAM STRUCTURE BY OTHERS

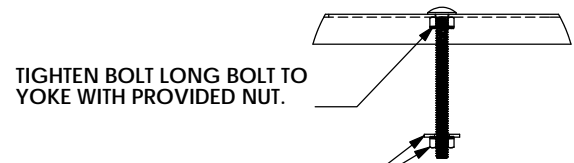
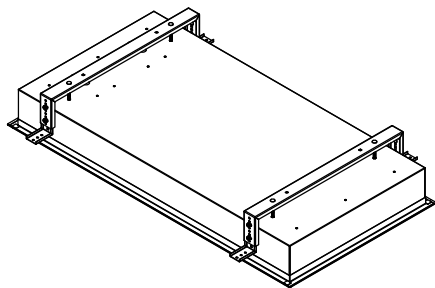


3.

FASTEN INTO FRAME STRUCTURE. HARDWARE BY OTHERS



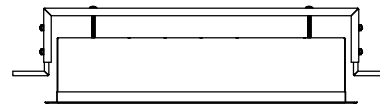
4.



TIGHTEN BOLT LONG BOLT TO YOKE WITH PROVIDED NUT.

NUT AND WASHER TO HOLD FIXTURE (INCLUDED)

DETAIL A
SCALE 1 : 4



INSTRUCTIONS:

1. PROVIDE CEILING CUT-OUT AT 24" x 48"(2x4) OR 24" x 24" (2x2)
2. PROVIDE APPROPRIATE BEAM STRUCTURE TO SUPPORT FIXTURE.
3. INSTALL YOKES CENTRED IN OPENING, 36" APART. (CENTRE-CENTRE OF BOLTS.
4. ADJUST BRACKETS SO INSIDE CEILING SURFACE TO INSIDE EDGE IS APPROX 7.25". AFTER ADJUSTMENTS ARE MADE ON FIRST UNIT, REPEAT PROCESS FOR REMAINING FIXTURES.
5. INSTALL FIXTURE INTO OPENING, INSERTING BOLTS IN FOUR HOLES ON TOP OF FIXTURE. FASTEN IN PLACE WITH PROVIDED NUT AND WASHERS (4 EA PER UNIT). TIGHTEN UNTIL FIXTURE IS TIGHT TO CEILING SURFACE.
6. REPLACE FIXTURE COVERS AND CLOSE UP THE DOOR.
7. IT MAY BE USEFUL TO REMOVE THE DOOR FROM THE CABLE FOR THIS PROCESS AND RE-ATTACH AFTER IT IS COMPLETE.

	NAME	DATE		
Drawn	R			
Last Saved	doucet	8/14/2014	ERP #:	IIS00232
Checked			REVISION:	01
PROPRIETARY AND CONFIDENTIAL THE INFORMATION CONTAINED IN THIS DRAWING IS THE SOLE PROPERTY OF MANUFACTURER ANY REPRODUCTION IN PART OR AS A WHOLE WITHOUT THE WRITTEN PERMISSION OF MANUFACTURER IS PROHIBITED.	UNLESS OTHERWISE SPECIFIED: DIMENSIONS ARE IN INCHES ANGULAR: BEND ±1 ONE PLACE DECIMAL ±0.030 TWO PLACE DECIMAL ±0.015 THREE PLACE DECIMAL ±0.005		Title	
			Part Name:	IIS-MD2IF3461LED-20180105.1
			Description:	3461 MD2IF-LED INSTALLATION INSTRUCTION
			MATERIAL:	FINISH: None
		SIZE: A	SCALE:	SHEET 1 of 1