

# Installation Sheet

MD1U - ERP IIS00217

## NOTES

- Installation should be completed by an individual familiar with the construction and operation of the luminaire.
- Installation of luminaire must be in accordance with nation and local building and electrical codes.
- Carefully read and follow all warnings and instructions before installing or servicing the luminaire.
- Instructions do not cover all details and all possible product configurations
- Do not restrict luminaire ventilation.
- Ensure LED luminaire is not covered with material that will prevent convection or conduction cooling.
- Do not exceed luminaire's maximum ambient temperature.
- Ensure LED luminaire has the correct polarity before installation.
- Based on maximum voltage restrictions for class 2 circuits in Canadian Electrical Code, the output cannot be accessible. This product has accessible output terminals. This product complies with this requirement since the installation instruction requires installation in Restricted Access Area.

## WARNINGS

### Electric shock:

- Disconnect or turn off power before installing or servicing luminaire.
- All electrical wiring to be completed by a qualified licensed electrician in accordance with local and National/Canadian Electrical Code.
- Ensure supply voltage corresponds with the correct ballast/driver voltage.
- Avoid exposing wiring to metal edges and sharp objects.
- Ensure that the luminaire is properly grounded to prevent electric hazards.

### Fire:

- Keep flammable and combustible materials away from the light source and/or lens.
- Use correctly rated supply conductors as indicated by product labeling.

### Burn:

- Allow luminaire to cool before handling luminaire.

### Personal Injury:

- Wear safety glasses and gloves when handling the luminaire to avoid physical injury.
- Avoid direct eye contact with light source.
- Always support the weight of the luminaire.

## HARD CEILING FLANGE

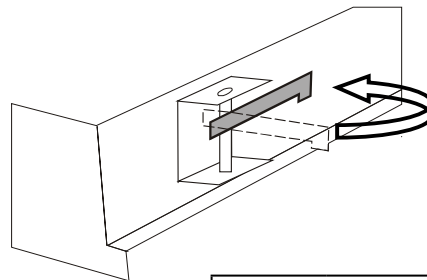
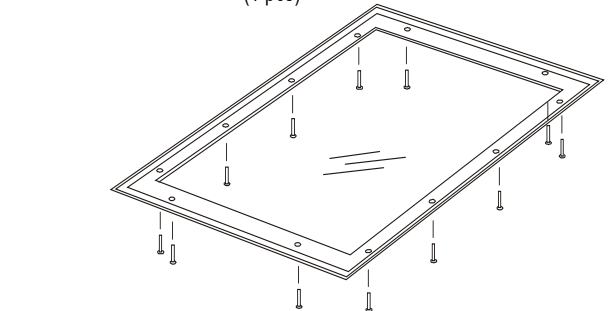
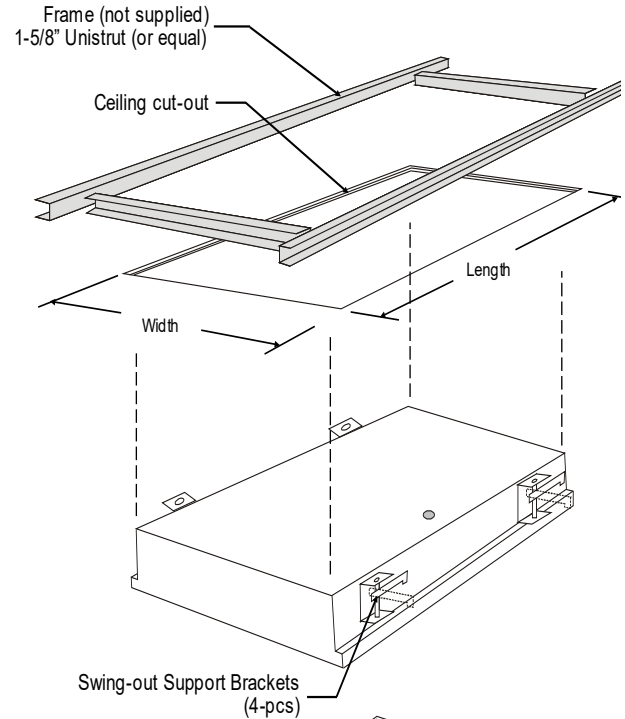
### Note:

- The models requires an accurate cutout of the luminaire opening. It is essential that the opening room side edge be flat to ensure the integrity of the seal.
- Use 1-5/8 Unistrut (not included) or equivalent support beams on all four sides above the opening edge. The support structure should be suitably rigid and secured to support the weight of the luminaire. (Minimum thickness of ceiling and framing is 1 1/2", maximum is 2 3/4").
- Only qualified electricians should make the electrical connections and should ensure that all Building and Safety code requirements are observed.

### Mounting:

1. Disconnect electrical power intended to be connected to the luminaire.
2. Locate and cut the required opening in the ceiling.
3. Install and secure the required support structure.
4. Remove the lens and door assembly by removing all twelve self-sealing screws from the luminaire.
5. Insert the luminaire into the ceiling then extend the swing-out brackets above the support structure. Tighten all swing-out brackets to ensure a tight and continuous seal on the room side of the opening.
6. Remove the cover and make the electrical connections to the power supply. Do not remove or use a different power cord fitting than the one supplied.
7. Replace the cover and install suitable lamps (not supplied).
8. Replace the lens and door assembly with the original self-sealing screws. Tighten to a maximum torque of 10 in-lbs. Ensure that the door gasket makes a continuous seal to the ceiling surface.
9. Apply power.

## HARD CEILING FLANGE

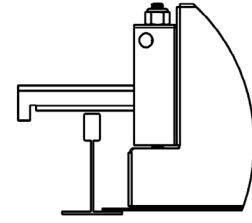


Ceiling Cut-Out Dimensions		
Size	Width	Length
1x2	10-7/8 in.	22-7/8 in.
1x3	10-7/8 in.	34-7/8 in.
1x4	10-7/8 in.	46-7/8 in.
2x2	22-7/8 in.	22-7/8 in.
2x4	22-7/8 in.	46-7/8 in.

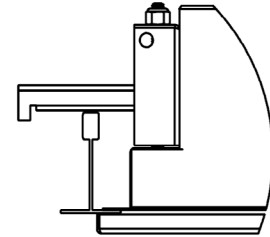
Manufacturer is not responsible for any injuries due to the improper installation or handling of its products.  
Refer to sheet IIS00262 for Gasket Installation.

## RECESSED GRID (T-BAR)

1. With fixture body resting face up on a stable surface, open doorframe and remove internal reflector(s).
2. Removal of door hinge cable from housing is advised. Slide cable through slot to disconnect door from housing. Set door aside in a clean, safe place.
3. Locate provided power entry hole for supply connection.
4. **A:** For Hazardous Locations: Attach provided  $\frac{1}{2}$ " Hub to hole from outside being sure that the gasket mates with the outer surface of the fixture. Tighten securely to housing using the nut provided. (Use only the one (1) hub provided) Conduit and seal-offs are not provided and may be required.  
**B:** For ordinary locations: Create the supply entrance by securing a conduit fitting to  $\frac{1}{2}$ " trade size hole.
5. Remove all debris from the inside of the fixture.
6. Prepare a mounting means capable of reliably supporting more than the weight of the fixture according to applicable building codes. Ceiling Grid size is standard for 1" & 1.5" T-bar. Please specify other sizes when ordering.
7. Invert fixture and insert through ceiling opening and lay fixture centered on T-Bar. (For cleanrooms, verify that the grid has a gasket that will contact the fixture flange) This step may require two workers.
8. Adjust mounting Swing-out support bracket(s) on housing to overlap T-bar and support fixture on center web of T-bar. Tighten  $\frac{1}{4}$ -20 screws to transfer weight to T-bar, making sure gasket is compressed and grid is level, without deformation.
9. Secure to structure using seismic support cables/wires to holes on Swing-out support brackets. (Consult local code for requirements for your geographic area) Note: This and all other hardware should be plated or stainless steel if installed in a wet or damp location.
10. Rough in supply conduit and connections according to the NEC/CEC and local requirements using minimum 90C supply wiring materials.
11. Connect grounding conductor to fixture grounding point.
12. Remove any protective films from the lens or surfaces as provided.
13. Replace reflector and secure by tightening screws or nuts.
14. If doorframe hinge cables were disconnected, reattach at this time. (Note: Cable supported doors are reversible)
15. Align door with housing and start screws by hand, being careful not to cross-thread screws. Start process at two opposite corners for best results.
16. Tightly secure doorframe using a hand screwdriver.
  - a. Do not overtighten. Maximum 10 inch-pounds torque.
  - b. Ensure that the door gasket makes a continuous seal to the ceiling t-bar surface (overlapping door style) or fixture housing (inset door style).
17. Energize fixture with rated voltage from a protected branch circuit.



## GRID MOUNTING INSET



## GRID MOUNTING OVERLAP