

NOTES

- Installation should be completed by an individual familiar with the construction and operation of the luminaire.
- Installation of luminaire must be in accordance with national and local building and electrical codes.
- Carefully read and follow all warnings and instructions before installing or servicing the luminaire.
- Instructions do not cover all details and all possible product configurations
- Do not restrict luminaire ventilation.
- Ensure LED luminaire is not covered with material that will prevent convection or conduction cooling.
- Do not exceed luminaire's maximum ambient temperature.
- Ensure LED luminaire has the correct polarity before installation.
- These products have maximum rated output voltage that exceeds the voltage limits that cannot be accessible based on voltage restrictions for Class 2 circuits in Canadian Electrical Code. This output complies with the definition of Class 2 per Canadian Electrical Code. This product complies with this requirement since the installation instruction requires installation in restricted access area.

WARNINGS

Electric shock:

- Disconnect or turn off power before installing or servicing luminaire.
- All electrical wiring to be completed by a qualified licensed electrician in accordance with local and National/Canadian Electrical Code.
- Ensure supply voltage corresponds with the correct ballast/driver voltage.
- Avoid exposing wiring to metal edges and sharp objects.
- Ensure that the luminaire is properly grounded to prevent electric hazards.
- Before powering up fixture, perform appropriate testing to ensure the fixture is properly grounded.

Fire:

- Keep flammable and combustible materials away from the light source and/or lens.
- Use correctly rated supply conductors as indicated by product labeling.

Burn:

- Allow luminaire to cool before handling luminaire.

Personal Injury:

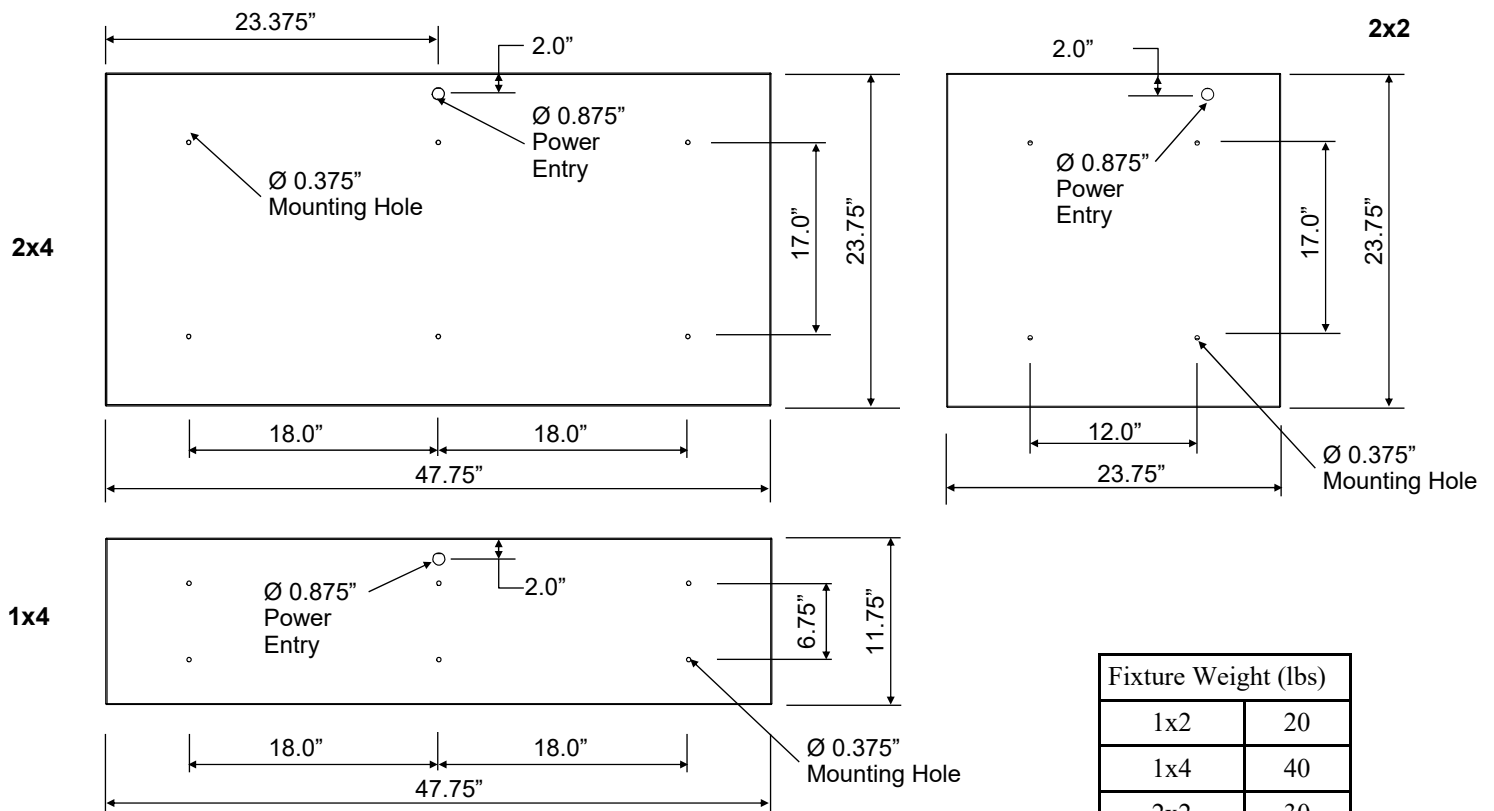
- Wear safety glasses and gloves when handling the luminaire to avoid physical injury.
- Avoid direct eye contact with light source.
- Always support the weight of the luminaire.

Intended Use:

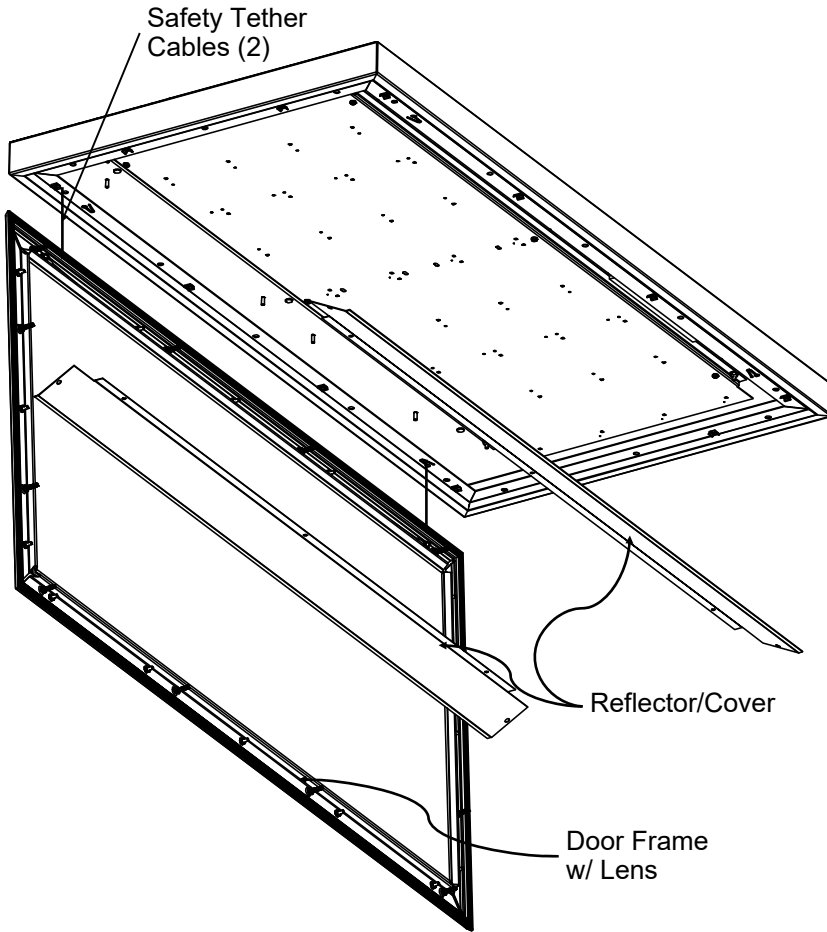
- Certain airborne contaminants can diminish integrity of acrylic and/or polycarbonate.
- Certain airborne contaminants may also adversely affect the functioning of LEDs and other electronic components, depending on various factors such as concentrations of the containments, ventilation, and temperature at the end-user location.
- Failure due to the effect of contaminants is not covered under our standard terms of warranty.

Manufacturer is not responsible for any injuries due to the improper installation or handling of its products.

Dimensions for Power Entry & Mounting Hole Locations



Fixture Weight (lbs)	
1x2	20
1x4	40
2x2	30
2x4	50



Instructions:

1. Disconnect main power.
2. Undo tether cable from housing and remove the fixture door frame and reflector/cover to expose the interior compartment.
3. Secure the fixture to ceiling surface at its intended location with appropriate hardware (supplied by others). Apply RTV silicone sealant or equivalent around the mounting holes.
4. **Note:** ceiling and mounting hardware must be capable of supporting the full weight of the fixture and meet local building codes (see page 1 for fixture weight).
5. Make wiring connections. Re-attach the reflector/cover.
6. Re-attach the door frame.

