

NOTES

- Installation should be completed by an individual familiar with the construction and operation of the luminaire.
- Installation of luminaire must be in accordance with nation and local building and electrical codes.
- Carefully read and follow all warnings and instructions before installing or servicing the luminaire.
- Instructions do not cover all details and all possible product configurations
- Do not restrict luminaire ventilation.
- Ensure LED luminaire is not covered with material that will prevent convection or conduction cooling.
- Do not exceed luminaire's maximum ambient temperature.
- Ensure LED luminaire has the correct polarity before installation.
- Based on maximum voltage restrictions for class 2 circuits in Canadian Electrical Code, the output cannot be accessible. This product has accessible output terminals. This product complies with this requirement since the installation instruction requires installation in Restricted Access Area.

WARNINGS

Electric shock:

- Disconnect or turn off power before installing or servicing luminaire.
- All electrical wiring to be completed by a qualified licensed electrician in accordance with local and National/Canadian Electrical Code.
- Ensure supply voltage corresponds with the correct ballast/driver voltage.
- Avoid exposing wiring to metal edges and sharp objects.
- Ensure that the luminaire is properly grounded to prevent electric hazards.

Fire:

- Keep flammable and combustible materials away from the light source and/or lens.
- Use correctly rated supply conductors as indicated by product labeling.

Burn:

- Allow luminaire to cool before handling luminaire.

Personal Injury:

- Wear safety glasses and gloves when handling the luminaire to avoid physical injury.
- Avoid direct eye contact with light source.
- Always support the weight of the luminaire.

Manufacturer is not responsible for any injuries due to the improper installation or handling of its products.

Hard Ceiling Flange

Note:

The models requires an accurate cutout of the luminaire opening. It is essential that the opening room side edge be flat to ensure the integrity of the seal.

Use 1-5/8 Unistrut (not included) or equivalent support beams on all four sides above the opening edge. The support structure should be suitably rigid and secured to support the weight of the luminaire. (*Minimum thickness of ceiling and framing is 1 1/2", maximum is 2 3/4"*).

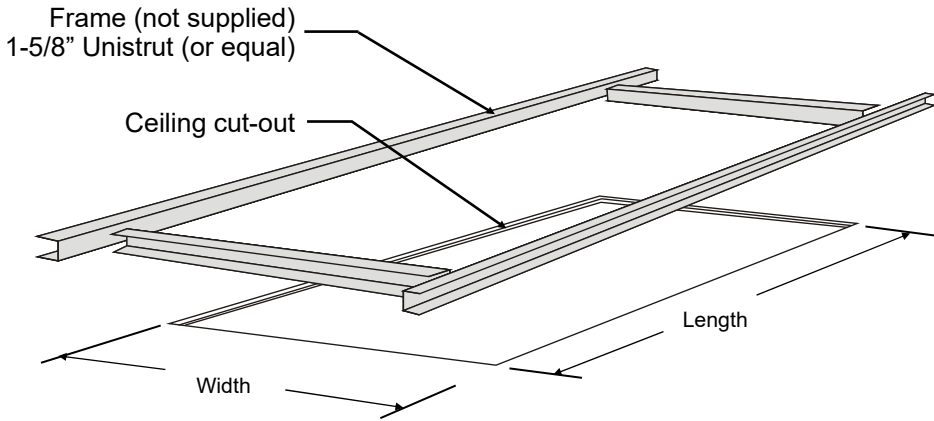
Only qualified electricians should make the electrical connections and should ensure that all Building and Safety code requirements are observed.

CRU when supplied with white + red or white + green LEDs, are to be separately switched externally. Also they are NOT to be operated simultaneously.

Mounting:

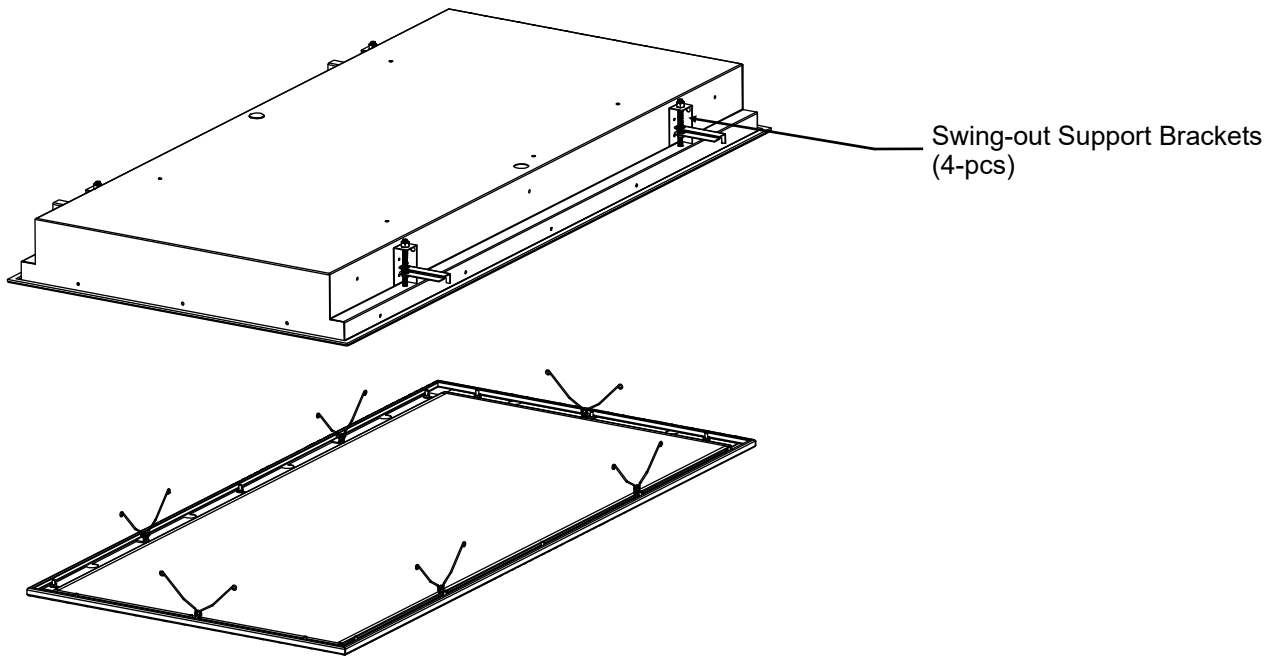
1. Disconnect electrical power intended to be connected to the luminaire.
2. Locate and cut the required opening in the ceiling.
3. Install and secure the required support structure.
4. Remove the lens and door frame assembly (See Page 3)
5. Insert the luminaire into the ceiling then extend the swing-out brackets above the support structure. Tighten all swing-out brackets to ensure a tight and continuous seal on the room side of the opening.
6. Remove the cover and make the electrical connections to the power supply. Do not remove or use a different power cord fitting than the one supplied.
7. Replace the cover.
8. Replace the lens and door assembly. Ensure that the door gasket makes a continuous seal to the ceiling surface.
9. Apply power.

Hard Ceiling Flange Cont'd



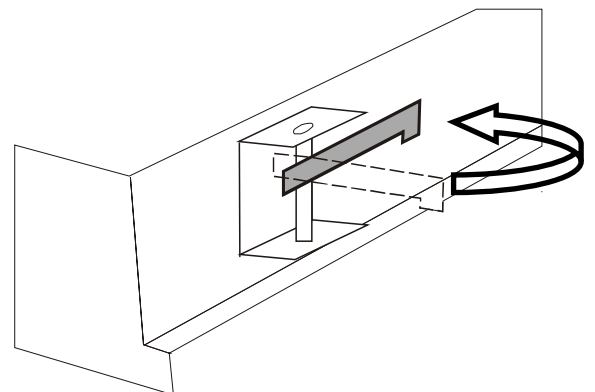
Ceiling Cut-Out Dimensions:

Size	Width	Length
1x2	10-7/8 in.	22-7/8 in.
1x4	10-7/8 in.	46-7/8 in.
2x2	22-7/8 in.	22-7/8 in.
2x4	22-7/8 in.	46-7/8 in.

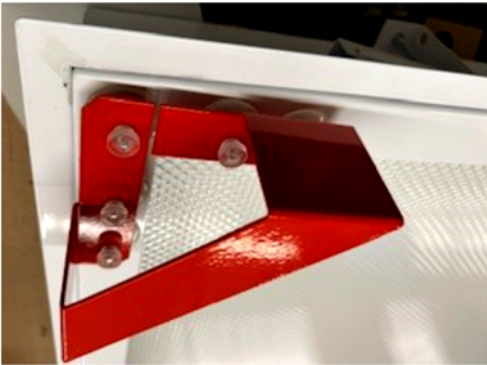


Recessed Grid (T-Bar)

1. Fixture is designed for use with 1 1/2" T-bar grid systems with vertical grid T thickness of less than 1/4" with a maximum height of 1 1/2". Grid systems can be installed standard 12, 24 or 48" centerline spacing of grid.
2. Fixture housing lays into grid. Ensure four (4) swing arms are in the stowed position as shown. If securing fixture to the superstructure with hanger wire (by others) loop wire through holes on swing arm attach bracket. Position door frame into housing opening.

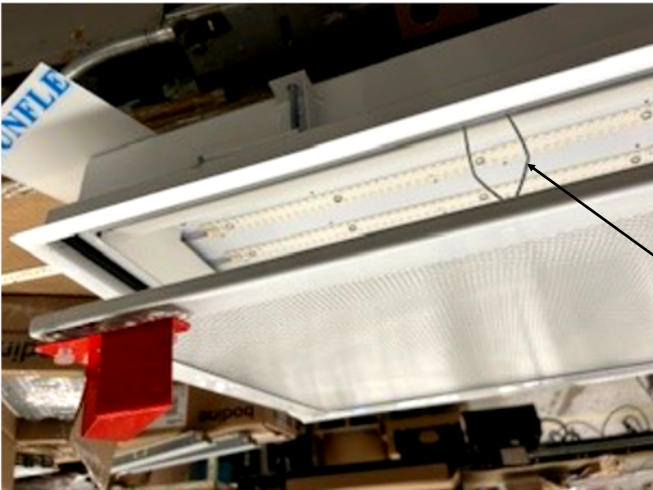


Door Frame Assembly Removal:



Step 1.

Place suction cup bracket on corner as shown in photo.



Step 2.

Pull down one corner exposing the spring clips, once visible use hands to pull down door frame and expose all spring clips.

Spring Clips (4-pcs)



Step 3.

To release door frame from housing, squeeze inward the clip to release from notch on all four sides.

Spring clip shown released from notching on housing

