

READ AND FOLLOW ALL SAFETY INSTRUCTIONS

NOTES

- Installation should be completed by an individual familiar with the construction and operation of the luminaire.
- Installation of luminaire must be in accordance with national and local building and electrical codes.
- Carefully read and follow all warnings and instructions before installing or servicing the luminaire.
- Instructions do not cover all details and all possible product configurations
- Do not restrict luminaire ventilation.
- Ensure LED luminaire is not covered with material that will prevent convection or conduction cooling.
- Do not exceed luminaire's maximum ambient temperature.
- Ensure LED luminaire has the correct polarity before installation.
- These products have maximum rated output voltage that exceeds the voltage limits that cannot be accessible based on voltage restrictions for Class 2 circuits in Canadian Electrical Code. This output complies with the definition of Class 2 per Canadian Electrical Code. This product complies with this requirement since the installation instruction requires installation in restricted access area.

WARNINGS

Electric shock:

- Disconnect or turn off power before installing or servicing luminaire and test that power is off.
- **Fixture should ONLY be powered on with access plate installed in fixture.**
- All electrical wiring to be completed by a qualified licensed electrician in accordance with local and National/Canadian Electrical Code.
- Ensure supply voltage corresponds with the correct ballast/driver voltage.
- Avoid exposing wiring to metal edges and sharp objects.
- Ensure that the luminaire is properly grounded to prevent electric hazards.
- **All supply field wiring to the luminaire shall be rated at 600v and 75°C Minimum**

Fire:

- Keep flammable and combustible materials away from the light source and/or lens.

- Use correctly rated supply conductors as indicated by product labeling.

Burn:

- Allow luminaire to cool before handling luminaire.

Personal Injury:

- Wear safety glasses and gloves when handling the luminaire to avoid physical injury.
- Avoid direct eye contact with light source.
- Always support the weight of the luminaire.

Intended Use:

- Certain airborne contaminants can diminish integrity of acrylic and/or polycarbonate.
- Certain airborne contaminants may also adversely affect the functioning of LEDs and other electronic components, depending on various factors such as concentrations of the contaminants, ventilation, and temperature at the end-user location.
- Failure due to the effect of contaminants is not covered under our standard terms of warranty.

Manufacturer is not responsible for any injuries due to the improper installation or handling of its products.

Tools Required



WARNING 

RISK OF FIRE, ELECTRIC SHOCK, OR PERSONAL INJURY

- Luminaire installation requires knowledge of luminaires electrical system. If not qualified, do not attempt installation. Contact qualified electrician.
- To prevent wiring damage or abrasion, do not expose wiring to edges of sheet metal or sharp objects.

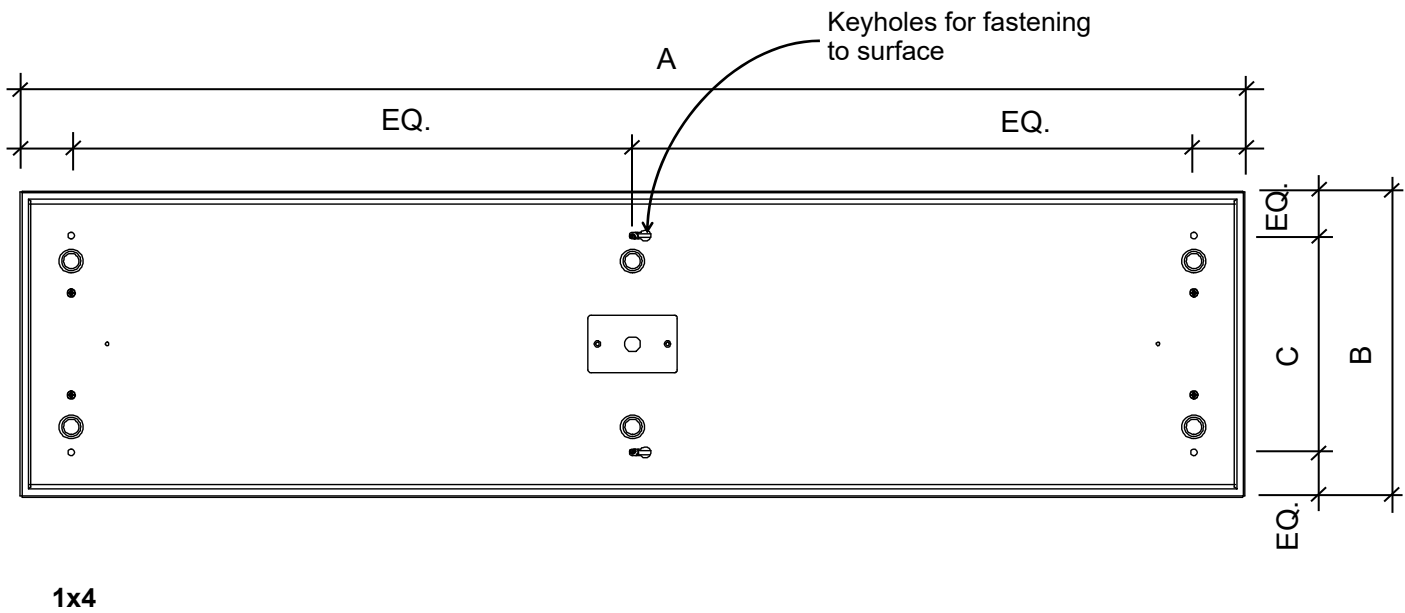
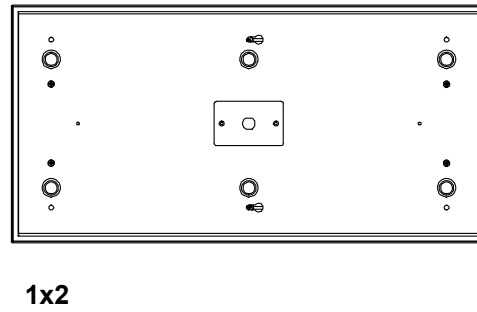
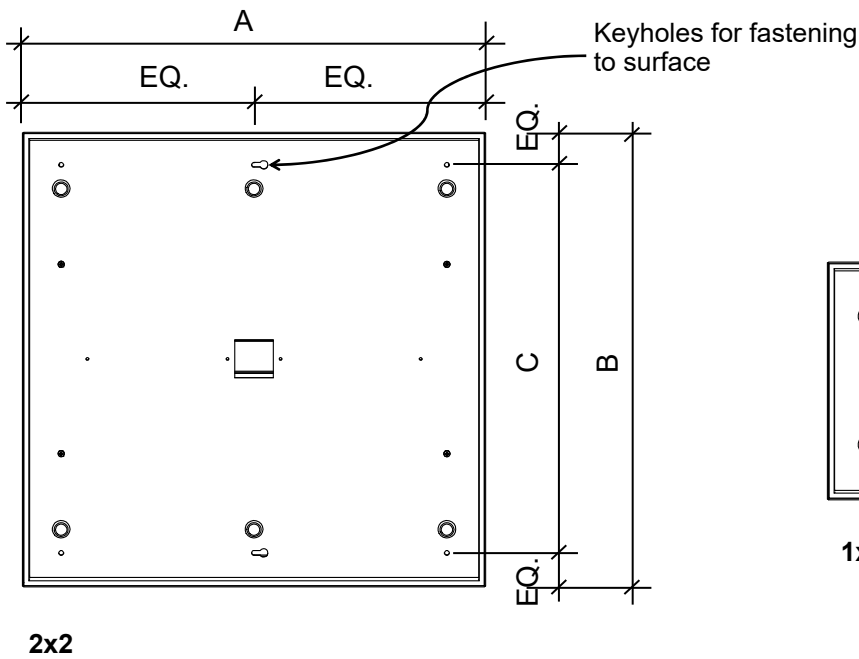
FIXTURE WEIGHT

| MODEL | lbs | (kg) |
|-------|-----|------|
| 1x2 | 25 | 11.5 |
| 1x4 | 50 | 23 |
| 2x2 | 55 | 25 |
| 2x4 | 115 | 52 |

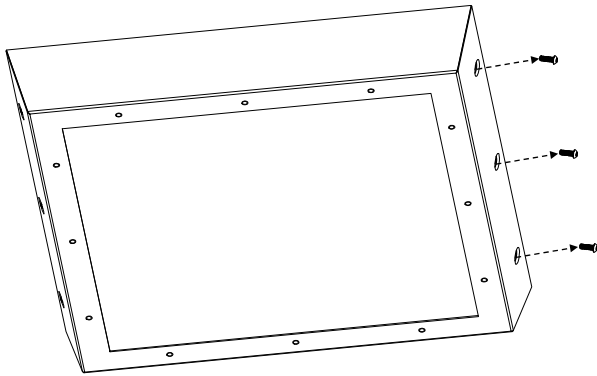
NOTE: For the 2x4 fixture, minimum 2 people are recommended for installation.

MOUNTING HOLE LOCATION

| MODEL | LENGTH A | WIDTH B | C |
|-------|----------|---------|-------|
| 1x2 | 24" | 12" | 8.5" |
| 1x4 | 48" | 12" | 8.5" |
| 2x2 | 24" | 24" | 20.5" |
| 2x4 | 48" | 24" | 20.5" |

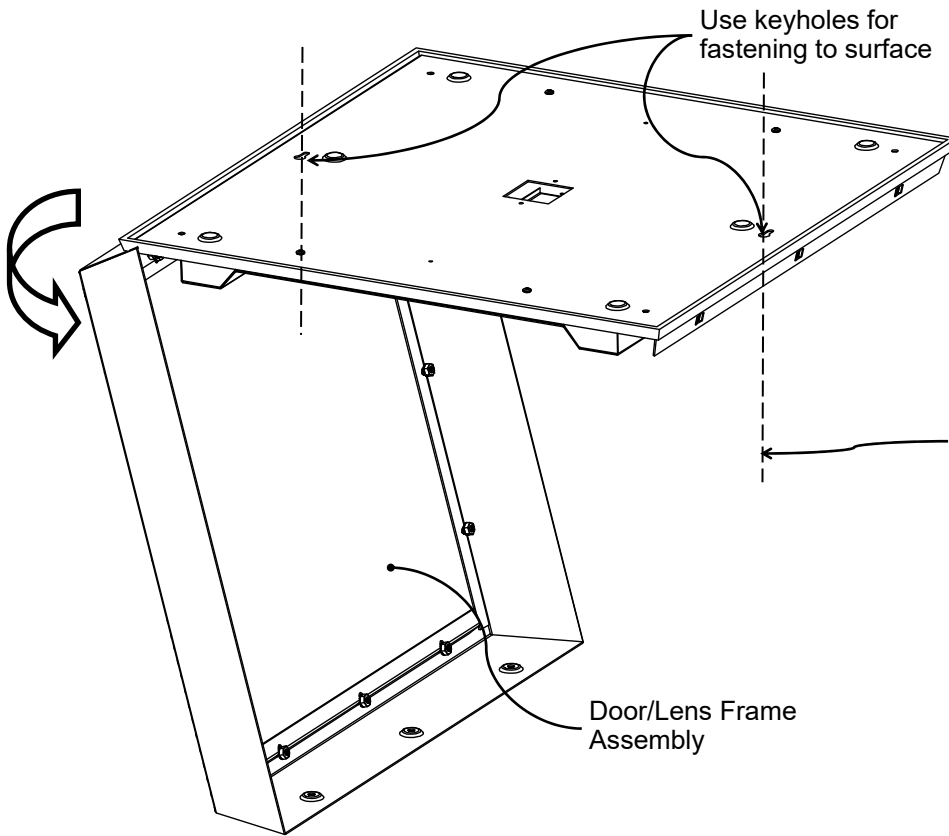


INSTRUCTIONS



Step 1.
Remove all screws from both side of door frame in order to hinge and open the door/lens frame assembly.

Step 2.
Prepare mounting holes (6 per fixture).



Step 3.
Use fasteners (by others) suitable to support

25 lbs (1x2)
40 lbs (2x2)
45 lbs (1x4)

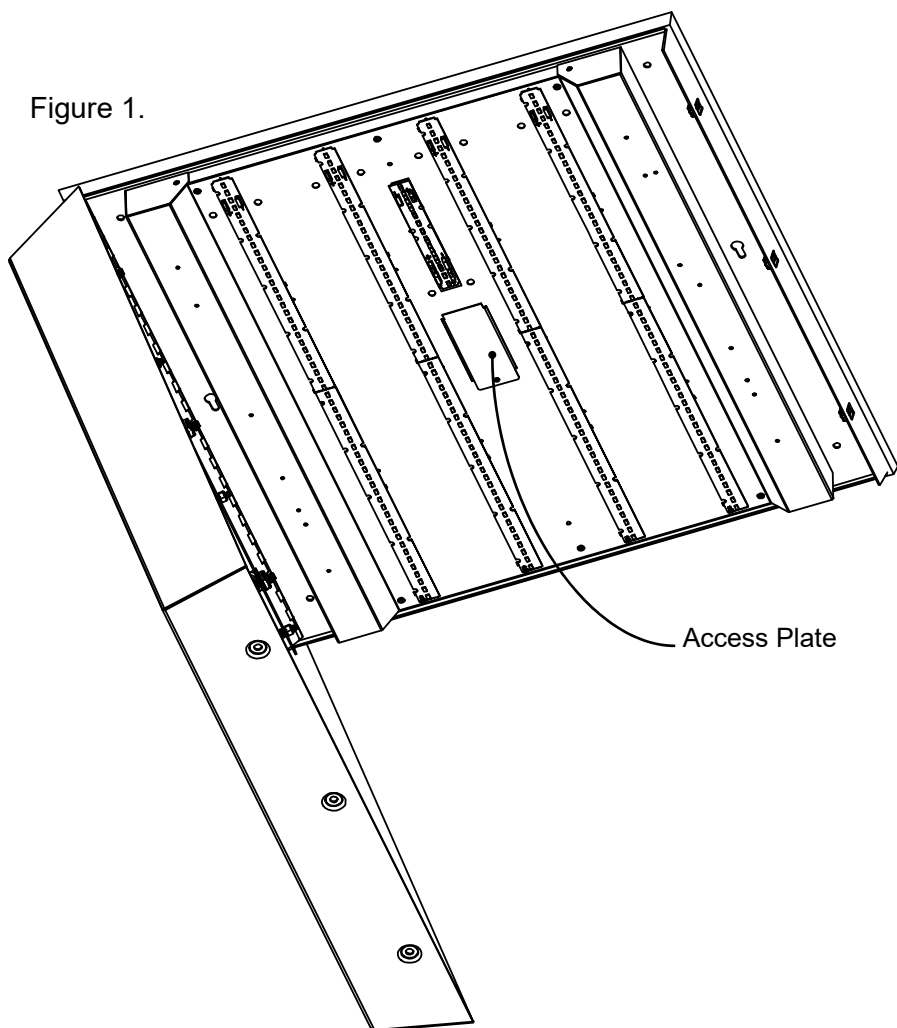
Step 4.
Mount fixture through keyholes first and slide fixture to support weight. Secure with remaining mounting holes.

Step 5.
Remove screw to access plate from interior side (see Figure1). Do all electrical connections. Make the electrical connections to the power supply. Connect the black fixture wire to line voltage, the white to neutral and the green wire to ground.

Step 6.
Close door/lens frame assembly.

INSTRUCTIONS

Figure 1.



1. Disconnect main power.
2. Remove fasteners to slide out the door and lens frame assembly.
3. Remove fasteners to slide out divider panel assembly.
4. Secure the fixture to wall surface at its intended location with appropriate hardware (supplied by others). Six (6) fixture mounting points are provided.
5. Wall and mounting hardware must be capable of supporting the full weight of the fixture and meet local building codes. The estimated fixture weight is 11.25 kg (25lbs).
6. Once back plate is firmly attached to the wall, make wiring connections. Ensure the fixture is properly grounded to the fixture stud. An access hole is provided on the fixture for power and ground wires.
7. Re-attach the divider panel and door lens assembly in the order it was removed.