

**NOTES**

- Installation should be completed by an individual familiar with the construction and operation of the luminaire.
- Installation of luminaire must be in accordance with nation and local building and electrical codes.
- Carefully read and follow all warnings and instructions before installing or servicing the luminaire.
- Instructions do not cover all details and all possible product configurations
- Do not restrict luminaire ventilation.
- Ensure LED luminaire is not covered with material that will prevent convection or conduction cooling.
- Do not exceed luminaire's maximum ambient temperature.
- Ensure LED luminaire has the correct polarity before installation.
- This product has maximum rated output of 55Vdc. This output complies with the definition of Class 2 per Canadian Electrical Code. This output cannot be accessible based on maximum voltage restrictions for Class 2 circuits in Canadian Electrical Code. This product complies with this requirement since the installation instruction requires installation in restricted access area.

**WARNINGS**

**Electric shock:**

- Disconnect or turn off power before installing or servicing luminaire and test that power is off.
- All electrical wiring to be completed by a qualified licensed electrician in accordance with local and National/Canadian Electrical Code.
- Ensure supply voltage corresponds with the correct ballast/driver voltage.
- Avoid exposing wiring to metal edges and sharp objects.
- Ensure that the luminaire is properly grounded to prevent electric hazards.

**Fire:**

- Keep flammable and combustible materials away from the light source and/or lens.
- Use correctly rated supply conductors as indicated by product labeling.

**Burn:**

- Allow luminaire to cool before handling luminaire.

**Personal Injury:**

- Wear safety glasses and gloves when handling the luminaire to avoid physical injury.
- Avoid direct eye contact with light source.
- Always support the weight of the luminaire.

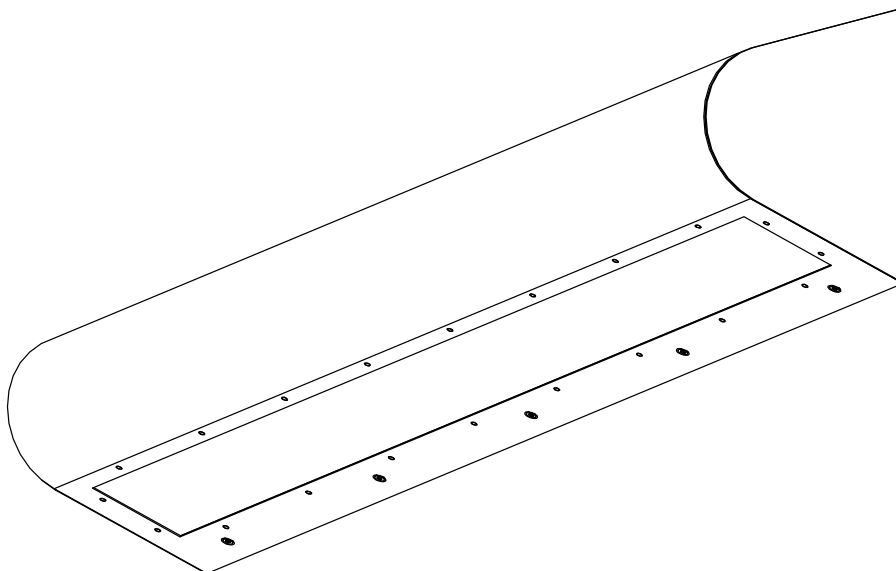
**Intended Use:**

- Certain airborne contaminants can diminish integrity of acrylic and/or polycarbonate.
- Certain airborne contaminants may also adversely affect the functioning of LEDs and other electronic components, depending on various factors such as concentrations of the containments, ventilation, and temperature at the end-user location.
- Failure due to the effect of contaminants is not covered under our standard terms of warranty.

**Caution:**

Cautions for use Behavior Health Applications: Safe use of this fixture relies on proper location and surface material selection. Aspects of installation may need to be reviewed by professionals familiar with the risks for suitability to behavioral health use, including but not limited to mounting height. Failure to properly install this fixture may result in an increase in risk of ligature and death.

Manufacturer is not responsible for any injuries due to the improper installation or handling of its products.



**INSTRUCTIONS:**

1. Disconnect main power and lockout branch circuit at the panel before beginning work. **Test to be sure power is off.**
2. While fixture rests on a stable surface, loosen the fasteners at the top and bottom of the door frame assembly and open the fixture. (LEDs are fragile: **Do not touch or damage the exposed LEDs!** Even light pressure may reduce an LEDs life-time.)
3. Optional step: Disconnect hinge from Back Plate.
4. Measure and mark the hole locations for mounting and electrical service.
5. Prepare suitable mounting anchor holes and hardware to securely support this fixture, keeping in mind the potential for abuses of the fixture and the wall that supports it. It is important to use all mounting holes provided. Mounting holes are 13/32" (0.406") nominal diameter.
6. (Caution: Two or more people may be required for this step) Lift and support Back Plate so that the hinge is on the bottom. Secure to wall surface at its intended location with appropriate hardware (supplied by others). Six (6) fixture mounting points for 48" and four (4) mounting points for 24" are provided.
7. Once Back Plate is firmly attached to the wall, make wiring connections according to national and local codes. Ensure the fixture is properly grounded using the supplied stud location. An access hole is provided on the fixture for power and ground wires.
8. Reattach divider panel, covering electrical wiring, making sure there are no pinched or damaged wiring.
9. Close the door frame assembly and secure fasteners by hand with screwdriver. Standard screws are **Security Torx T-25 with center pin head.**
10. Test light fixture operation.
11. (Required for Behavioral Health Facilities) Apply security caulk as required at fixture perimeter and as needed to prevent ligature. The final condition must be installed and inspected by those familiar with the ligature risk and the application. Other aspects of installation may need to be reviewed for suitability to behavioral health use, including but not limited to mounting height. Failure to properly install this fixture may result in an increase in risk of ligature and death.

