

NOTES

- Installation should be completed by an individual familiar with the construction and operation of the luminaire.
- Installation of luminaire must be in accordance with nation and local building and electrical codes.
- Carefully read and follow all warnings and instructions before installing or servicing the luminaire.
- Instructions do not cover all details and all possible product configurations
- Do not restrict luminaire ventilation.
- Ensure LED luminaire is not covered with material that will prevent convection or conduction cooling.
- Do not exceed luminaire's maximum ambient temperature.
- Ensure LED luminaire has the correct polarity before installation.
- This product has maximum rated output of 55Vdc. This output complies with the definition of Class 2 per Canadian Electrical Code. This output cannot be accessible based on maximum voltage restrictions for Class 2 circuits in Canadian Electrical Code. This product complies with this requirement since the installation instruction requires installation in restricted access area.

WARNINGS

Electric shock:

- Disconnect or turn off power before installing or servicing luminaire.
- All electrical wiring to be completed by a qualified licensed electrician in accordance with local and National/Canadian Electrical Code.
- Ensure supply voltage corresponds with the correct ballast/driver voltage.
- Avoid exposing wiring to metal edges and sharp objects.
- Ensure that the luminaire is properly grounded to prevent electric hazards.

Fire:

- Keep flammable and combustible materials away from the light source and/or lens.
- Use correctly rated supply conductors as indicated by product labeling.

Burn:

- Allow luminaire to cool before handling luminaire.

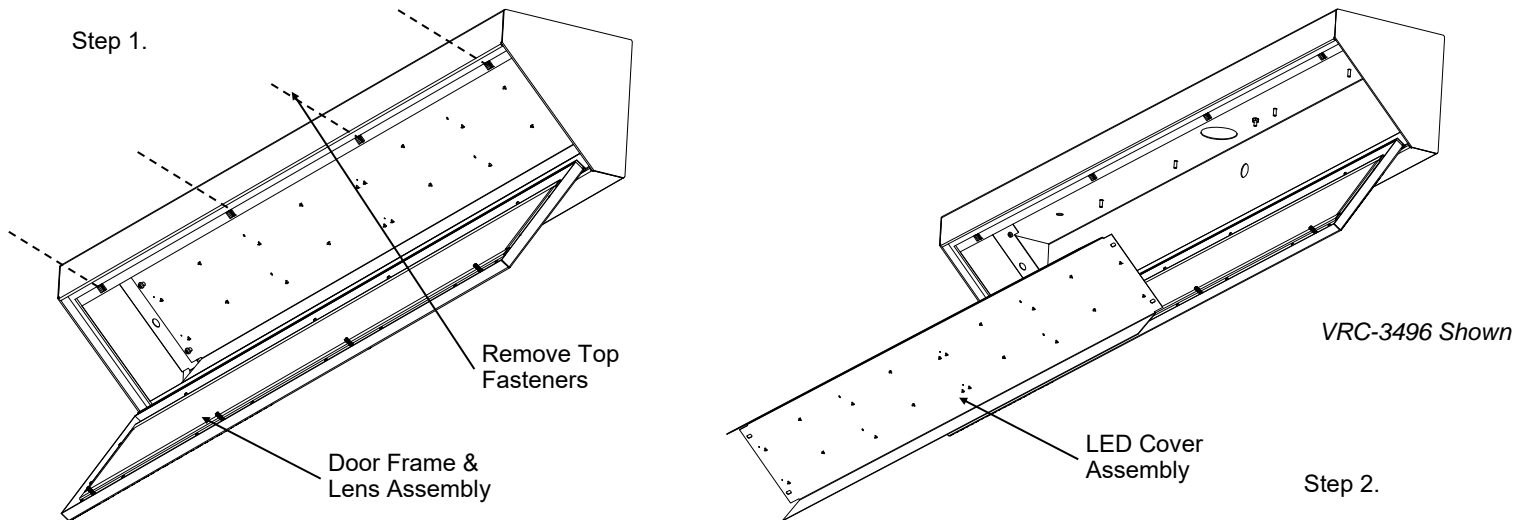
Personal Injury:

- Wear safety glasses and gloves when handling the luminaire to avoid physical injury.
- Avoid direct eye contact with light source.
- Always support the weight of the luminaire.

Intended Use:

- Certain airborne contaminants can diminish integrity of acrylic and/or polycarbonate.
- Certain airborne contaminants may also adversely affect the functioning of LEDs and other electronic components, depending on various factors such as concentrations of the contaminants, ventilation, and temperature at the end-user location.
- Failure due to the effect of contaminants is not covered under our standard terms of warranty.

Manufacturer is not responsible for any injuries due to the improper installation or handling of its products.

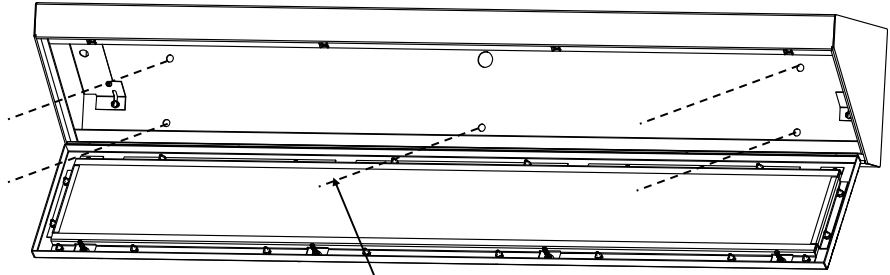


INSTRUCTIONS:

1. Disconnect main power.
2. Remove fasteners to hinge the door frame and lens assembly.
3. Remove fasteners to slide out LED Cover Assembly. **NOTE: for the VRC-3524 LEAVE LED COVER ASSEMBLY ON, DO NOT REMOVE.**
4. Secure the fixture to corner surface at its intended location with appropriate hardware (supplied by others).
5. Surface mounting hardware must be capable of supporting the full weight of the fixture and meet local building codes. The estimated fixture weight is 27 kg (60lbs).
6. Once housing is firmly attached to the corner, make wiring connections. Ensure the fixture is properly grounded to the fixture stud. An access hole is provided on the fixture for power and ground wires.
7. Re-attach the LED cover and door frame and lens assembly in the order it was removed.

VRC-3496 / VRC-3524
Corner Mounting Instructions

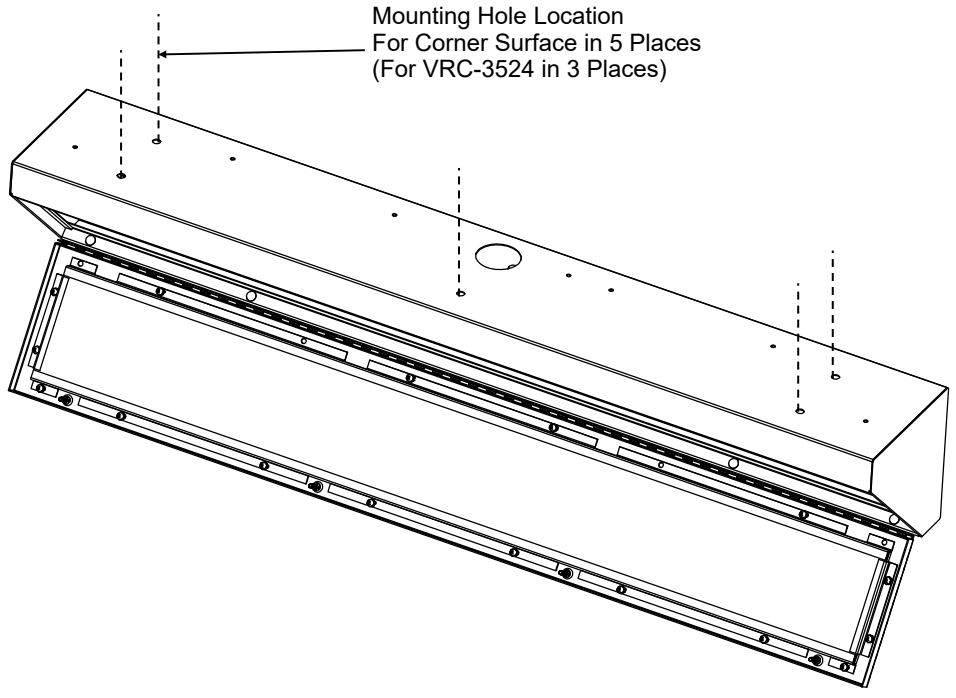
ERP: IIS00395
Date: 03/06/2024 **Rev 1.0**



Front View
VRC-3496 Shown

Step 3.

Mounting Hole Location
For Corner Surface in 5 Places
(For VRC-3524 in 3 Places)



Top View
VRC-3496 Shown

Mounting Hole Location
For Corner Surface in 5 Places
(For VRC-3524 in 3 Places)